

SYNCHRONOUS DRIVES

Find Drive Selection Tables on the web at www.martinsprocket.com

| ITEM | PAGE |
|--|-------------|
| TIMING PULLEYS | K-2 – K-21 |
| Terminology | K-3 – K-4 |
| XL | K5 |
| L | K-6 – K-10 |
| H | K-11 – K-17 |
| XH | K-18 – K-19 |
| Timing Pulley Diameters | K-20 – K-21 |
| HTS® Synchronous Sprockets | K-22 – K-41 |
| HTS® Synchronous Sprockets | K-24 – K-35 |
| 5mm | K-24 |
| 8mm | K-25 - K-28 |
| 14mm | K-29 - K-33 |
| 20mm | K-34 - K-35 |
| HTS® Sprocket Diameter | K-36 – K-39 |
| 5mm | K-36 |
| 8mm | K-37 |
| 14mm | K-38 |
| 20mm | K-39 |
| HTS® Sprocket Engineering Data | K-40 – K-41 |
| MPC™ Synchronous Sprockets | K-42 |
| High HP HTS® Synchronous Sprockets | K-43 - K-46 |
| 8mm | K-43- K-44 |
| 14mm | K-45 - K-46 |
| Notes | K-47 - K-48 |

Stock Timing Pulleys



STOCK TIMING PULLEYS

**1/5" - 7/8" PITCH
QD – TAPER BUSHED
AND STOCK BORE**



Stock Bore



Taper Bushed



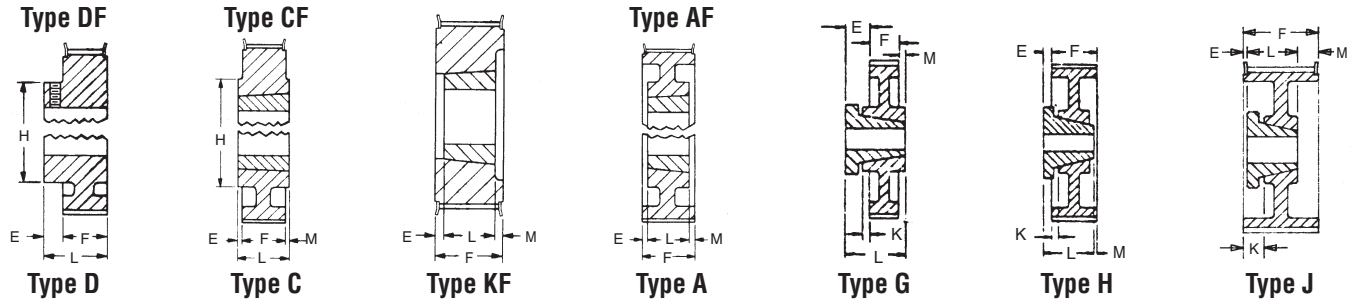
QD

| PITCH IN. | PULLEY DESIGNATION |
|-----------|--------------------|
| 1/5" | XL (Extra Light) |
| 3/8" | L (Light) |
| 1/2" | H (Heavy) |
| 7/8" | XH (Extra Heavy) |

Martin Timing Pulleys are manufactured to extremely close specifications and are stocked in minimum plain bore, Taper Bushed and Q.D. bushed styles depending on size and pitch.

See tables for stock pulley types. Bushings are priced separately and must be added to pulley price.

Illustrations below indicate stock pulley construction type listed in tables.



"F" designation in pulley type means pulley is flanged. When drive center distance is eight times the diameter of the smaller pulley or when drive is operating on vertical shafts, both pulleys should be flanged.

DEFINITION OF CATALOG NUMBERS

EX: TB 20L100

TB — Requires Taper Bushing

20 — Number of Teeth

L — 3/8" Pitch (Light)

100 — Belt Width 1"

EX: 72L100SD

72 — Number of Teeth

L — 3/8" Pitch (Light)

100 — Belt Width 1"

SD — Requires QD Bushing

EX: 16L100

Min. Plain Bore

Pulley Style Designation As Shown in Tables

Dash 1 = Block Body Style

Dash 2 = Web Style

Dash 3 = Arm/Spoke Style

Size XXH (1-1/4" Pitch).

Available as made-to-order.

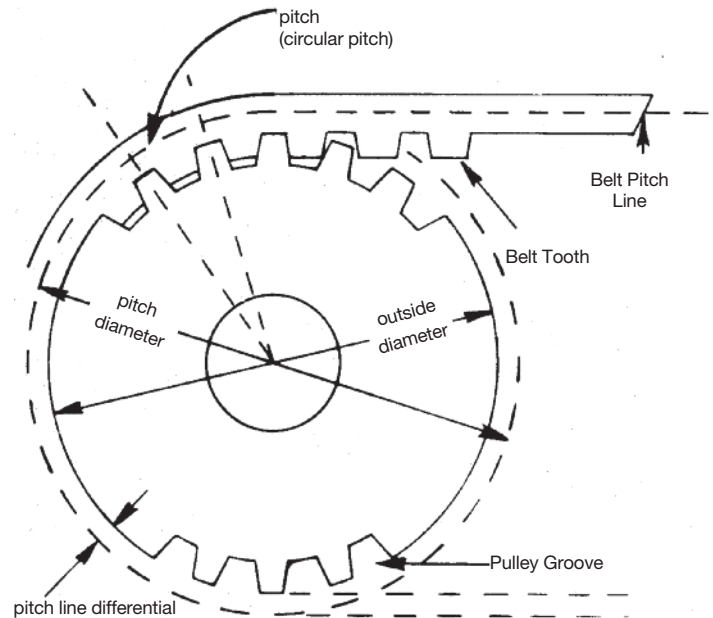
Call your nearest *Martin* facility.

Pulley sizes shown stocked as stock bore only: max. bore listed is without keyway. If keyway is used reduce max. bore by twice kw depth.

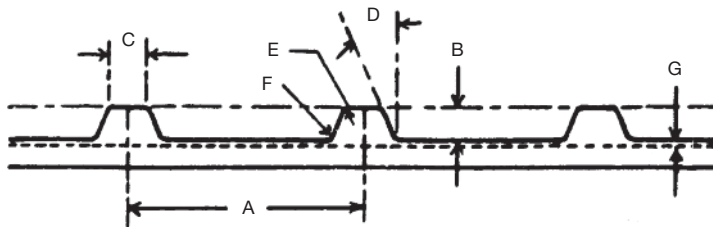
Let us quote your made-to-order and large quantity requirements.

Timing belts and pulleys — in order to handle a wide range of loads, speeds and applications at highest possible efficiencies — are made in five stock pitches. Circular pitch (usually referred to as pitch) is a basic consideration in the selection of timing pulleys as with gear and chain drives. Pitch is the distance between groove centers and is measured on the pulley pitch circle. On the belt, pitch is the distance between tooth centers and is measured on the pitch line of the belt.

The pitch line of the belt is located within the tension member and coincides with the pitch circle of the pulley mating with it. Any timing belt must be run with pulleys of the same pitch. A belt of one pitch cannot be used successfully with pulleys of a different pitch.



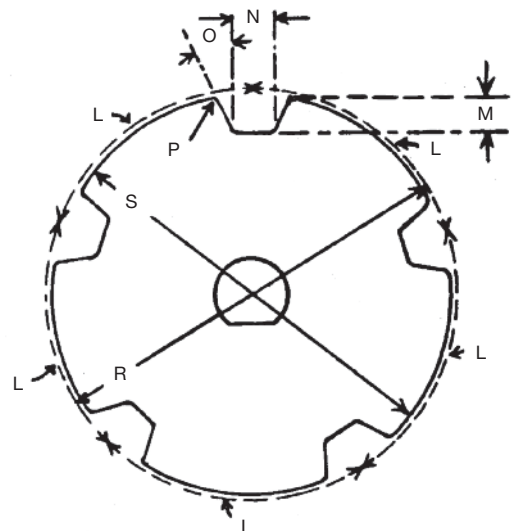
TIMING BELT TERMINOLOGY



- A Pitch of Teeth
- B Depth of Teeth
- C Width at Bottom of Teeth
- D Pressure Angle
- E Radius at Bottom of Teeth
- F Radius at Top of Teeth
- G Pitch Line Differential

Belt P.L. = "A" X Total No. of Teeth in Belt

TIMING PULLEY TERMINOLOGY



- L Circular Pitch of Groove
- M Minimum Depth of Groove, Including Clearance
- N Width of Groove at Minimum Depth, Including Clearance
- O Pressure Angle
- P Top Radius of Groove
- R Pitch Diameter (Always > S)
- S Outside Diameter

Timing Pulley Terminology



Timing Pulleys

Timing pulleys have evenly spaced axial grooves cut in their periphery to make correct, positive engagement with the mating teeth of the belt. These pulleys are designed so that the teeth of the belt enter and leave the grooves with negligible friction. All pulleys, stock and made-to-order, have minimum tooth-to-groove clearance (backlash). The pulley's pitch diameter will always be greater than its outside diameter. Pulleys are available in a wide range of stock widths and diameters.

Minimum Pulley Diameters

| pitch | speed rpm | recommended minimum* | no. of grooves |
|--------------------|-----------|----------------------|----------------|
| | | pitch diam. in. | |
| 1/8 in. (XL) | 3500 | .764 | 12 XL |
| | 1750 | .637 | 10 XL |
| | 1160 | .637 | 10 XL |
| 3/8 in. (L) | 3500 | 1.910 | 16 L |
| | 1750 | 1.671 | 14 L |
| | 1160 | 1.432 | 12 L |
| 1/2 in. (H) | 3500 | 3.183 | 20 H |
| | 1750 | 2.865 | 18 H |
| | 1160 | 2.546 | 16 H |
| 7/8 in. (XH) | 1750 | 7.242 | 26 XH |
| | 1160 | 6.685 | 24 XH |
| | 870 | 6.127 | 22 XH |
| 1 1/4 in. (XXH) | 1750 | 10.345 | 26 XXH |
| | 1160 | 9.549 | 24 XXH |
| | 870 | 8.754 | 22 XXH |

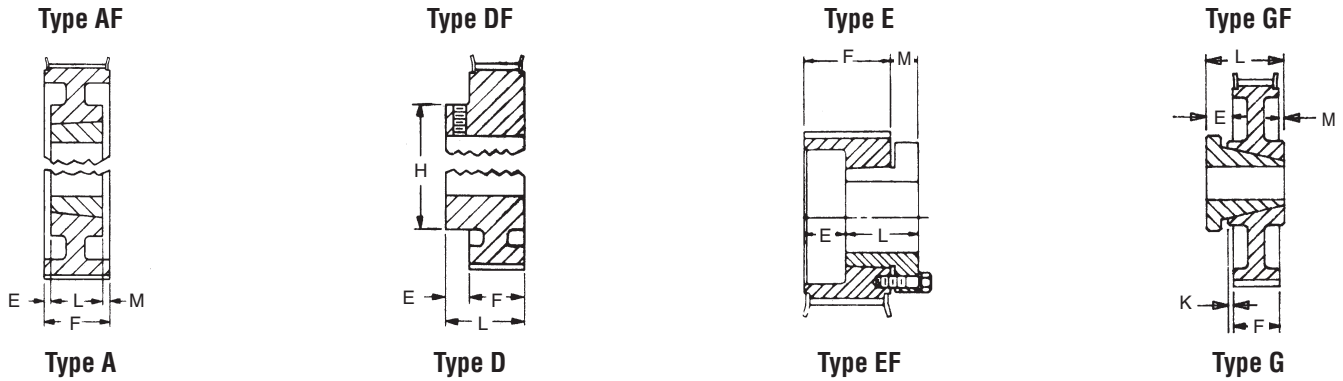
*Smaller diameter pulleys can be used if a corresponding reduction in belt service life is satisfactory.

Flanged Pulleys

Because timing belts have an inherent, gentle side thrust, it is necessary to use at least one flanged pulley to prevent the belt from riding off. Generally, for economy, the smaller pulley in each drive is flanged. However, when the center distance is greater than eight times the diameter of the smaller pulley on drive ratios less than 3 to 1, or when the drive is operated on other than horizontal shafts — both pulleys should be flanged. When a drive has three pulleys, at least two should be flanged. If the drive has more than three pulleys, every other pulley should be flanged.

Pulley Diameters

Stock timing belts should not be used over pulley diameters less than those recommended above without expecting some reduction in belt life. This reduced belt life is the result of flex fatigue of the steel tension members in the belt. If pulleys smaller than recommended must be used, the use of special timing belts should be considered.



Dash 1 = Solid Style Dash 2 = Web Style Dash 3 = Arm/Spoke Style
 "F" type description indicates flanged.

XL - 1/5" Pitch

XL 037 For Belts 1/4" and 3/8" Wide
 Minimum Plain Bore

F = 1/16

| No. Teeth | Part Number | Pitch Diam. | Max FL O.D. | Type | Bore | | E | H | L | WT |
|-----------|-------------|-------------|-------------|------|-------|--------|------|--------|-------|-----|
| | | | | | Stk.* | Max. | | | | |
| 10 | 10XL037 | .637 | .929 | DF-1 | 3/16 | 1/4 | 7/32 | 7/16 | 25/32 | .03 |
| 11 | 11XL037 | .700 | .929 | DF-1 | 3/16 | 1/4 | 7/32 | 7/16 | 25/32 | .04 |
| 12 | 12XL037 | .764 | .993 | DF-1 | 3/16 | 3/8 | 7/32 | 7/8 | 25/32 | .06 |
| 14 | 14XL037 | .891 | 1.120 | DF-1 | 1/4 | 3/8 | 7/32 | 9/16 | 25/32 | .08 |
| 15 | 15XL037 | .955 | 1.184 | DF-1 | 1/4 | 7/16 | 7/32 | 5/8 | 25/32 | .09 |
| 16 | 16XL037 | 1.019 | 1.248 | DF-1 | 1/4 | 1/2 | 7/32 | 11/16 | 25/32 | .10 |
| 18 | 18XL037 | 1.146 | 1.375 | DF-1 | 1/4 | 9/16 | 7/32 | 13/16 | 25/32 | .13 |
| 20 | 20XL037 | 1.273 | 1.502 | DF-1 | 1/4 | 11/16 | 5/16 | 15/16 | 7/8 | .18 |
| 21 | 21XL037 | 1.337 | 1.566 | DF-1 | 1/4 | 11/16 | 5/16 | 15/16 | 7/8 | .19 |
| 22 | 22XL037 | 1.401 | 1.630 | DF-1 | 1/4 | 3/4 | 5/16 | 1 | 7/8 | .22 |
| 24 | 24XL037 | 1.528 | 1.756 | DF-1 | 1/4 | 13/16 | 5/16 | 1 1/16 | 7/8 | .25 |
| 28 | 28XL037 | 1.783 | 2.011 | DF-1 | 1/4 | 15/16 | 5/16 | 1 1/16 | 7/8 | .34 |
| 30 | 30XL037 | 1.910 | 2.138 | DF-1 | 3/8 | 1 1/16 | 5/16 | 1 3/8 | 7/8 | .41 |
| 32 | 32XL037 | 2.037 | — | D-1 | 3/8 | 1 3/16 | 7/16 | 1 1/2 | 1 | .25 |
| 36 | 36XL037 | 2.292 | — | D-1 | 3/8 | 1 3/16 | 7/16 | 1 1/2 | 1 | .29 |
| 40 | 40XL037 | 2.546 | — | D-1 | 3/8 | 1 3/16 | 7/16 | 1 1/2 | 1 | .35 |
| 42 | 42XL037 | 2.674 | — | D-1 | 3/8 | 1 3/16 | 7/16 | 1 1/2 | 1 | .31 |
| 44 | 44XL037 | 2.801 | — | D-1 | 3/8 | 1 3/16 | 7/16 | 1 1/2 | 1 | .34 |
| 48 | 48XL037 | 3.056 | — | D-1 | 3/8 | 1 3/16 | 7/16 | 1 1/2 | 1 | .63 |
| 60 | 60XL037 | 3.820 | — | D-1 | 3/8 | 1 3/16 | 7/16 | 1 1/2 | 1 | .90 |
| 72 | 72XL037 | 4.584 | — | D-1 | 3/8 | 1 3/16 | 7/16 | 1 1/2 | 1 | .50 |

Note: XL Pulleys stocked min. plain bore with 2 setscrews @ 90°. If keyway is used, reduce max. bore by twice keyway depth.
 Pulley O.D. = P.D. - .02".

L 3/8" Pitch

Stock Timing Pulleys



L - 3/8" Pitch

L050 For Belts 1/2" Wide
Minimum Plain Bore

$F = 3/4$

| No. Teeth | Part Number | Pitch Diam. | Max FL O.D. | Type | Bore | | Dimensions | | | Wt. |
|-----------|-------------|-------------|-------------|------|--------|--------|------------|--------|--------|------|
| | | | | | Stk. * | Max. | E | H | L | |
| 10 | 10L050 | 1.194 | 1 1/16 | DF-1 | 3/8 | 3/16 | 3/8 | 1 3/16 | 1 1/8 | .28 |
| 12 | 12L050 | 1.432 | 1 4/16 | DF-1 | 3/8 | 3/16 | 1/2 | 1 1/16 | 1 1/4 | .30 |
| 13 | 13L050 | 1.552 | 1 3/4 | DF-1 | 3/8 | 1/8 | 1/2 | 1 1/8 | 1 1/4 | .35 |
| 14 | 14L050 | 1.671 | 1 5/16 | DF-1 | 3/8 | 7/16 | 1/2 | 1 1/8 | 1 1/4 | .40 |
| 15 | 15L050 | 1.790 | 2 | DF-1 | 1/2 | 1/8 | 1/2 | 1 1/8 | 1 1/4 | .50 |
| 16 | 16L050 | 1.910 | 2 3/32 | DF-1 | 1/2 | 1 1/8 | 5/8 | 1 1/16 | 1 3/8 | .60 |
| 17 | 17L050 | 2.029 | 2 1/16 | DF-1 | 1/2 | 1 1/8 | 5/8 | 1 1/16 | 1 3/8 | .65 |
| 18 | 18L050 | 2.149 | 2 5/16 | DF-1 | 1/2 | 1 3/16 | 5/8 | 1 1/8 | 1 3/8 | .75 |
| 19 | 19L050 | 2.268 | 2 1/2 | DF-1 | 1/2 | 1 1/16 | 5/8 | 1 1/8 | 1 3/8 | .80 |
| 20 | 20L050 | 2.387 | 2 3/8 | DF-1 | 1/2 | 1 1/4 | 5/8 | 1 1/16 | 1 3/8 | .94 |
| 21 | 21L050 | 2.507 | 2 3/4 | DF-1 | 1/2 | 1 1/16 | 1 1/16 | 1 1/8 | 1 1/16 | 1.00 |
| 22 | 22L050 | 2.626 | 2 1/2 | DF-1 | 1/2 | 1 1/2 | 3/4 | 2 | 1 1/2 | 1.10 |
| 24 | 24L050 | 2.865 | 3 3/16 | DF-1 | 1/2 | 1 1/8 | 3/4 | 2 1/4 | 1 1/2 | 1.60 |
| 26 | 26L050 | 3.104 | 3 1/32 | DF-1 | 1/2 | 1 1/8 | 3/4 | 2 1/2 | 1 1/2 | 2.30 |
| 28 | 28L050 | 3.342 | 3 3/16 | DF-1 | 1/2 | 1 1/8 | 3/4 | 2 3/4 | 1 1/2 | 2.50 |
| 30 | 30L050 | 3.581 | 3 3/16 | DF-1 | 1/2 | 1 1/8 | 3/4 | 2 3/4 | 1 1/2 | 2.70 |
| 32 | 32L050 | 3.820 | 4 1/16 | DF-1 | 1/2 | 1 1/8 | 7/8 | 3 1/16 | 1 1/2 | 3.00 |

L Pulleys 10 - 16 teeth min. plain bore stocked with 1 set screw. If keyway is used, reduced maximum bore by twice keyway depth.
Dimensions in inches. Weight in pounds
Pulley O.D. = P.D. - .03"

L050 For Belts 1/2" Wide (3/8" Pitch) QD Type

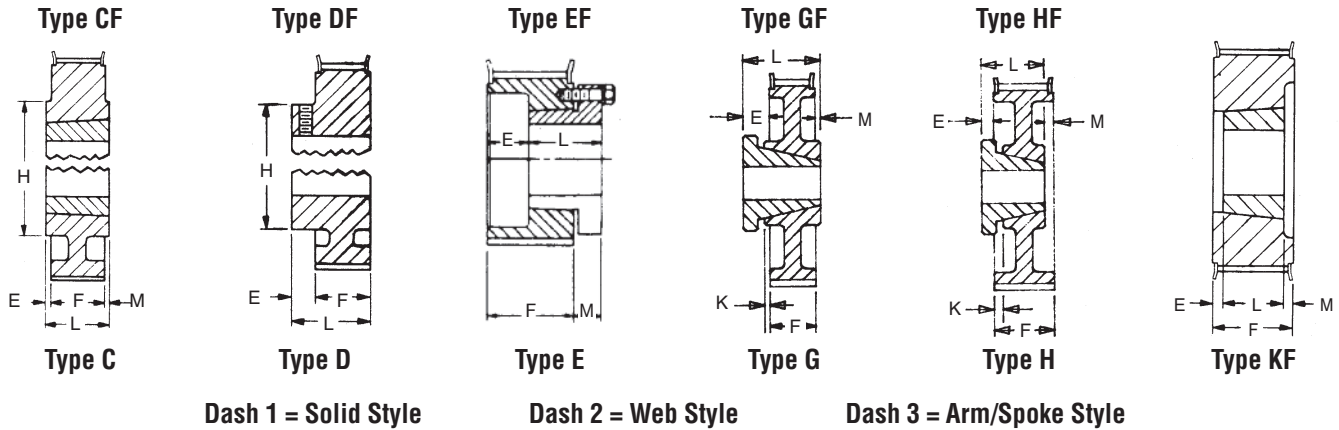
$F = 3/4$

| No. Teeth | Part Number | Pitch Diam. | Max FL O.D. | Type | Bush | Bore Range | Dimensions | | | | Wt. Less Bush. |
|-----------|-------------|-------------|-------------|--------|------|-------------|------------|-----|--------|-----|----------------|
| | | | | | | | E | K | L | M | |
| 18 | 18L050JA | 2.149 | 2 29/64 | EF-1* | JA | 1/2-1 1/4 | 3/16 | — | 1 1/16 | 1/2 | .40 |
| 20 | 20L050JA | 2.387 | 2 3/8 | EF-1* | JA | 1/2-1 1/4 | 3/16 | — | 1 1/16 | 1/2 | .50 |
| 22 | 22L050JA | 2.626 | 2 1/2 | EF-1* | JA | 1/2-1 1/4 | 3/16 | — | 1 1/16 | 1/2 | .70 |
| 24 | 24L050SH | 2.865 | 3 3/16 | GF-1 + | SH | 1/2-1 11/16 | 3/16 | — | 1 1/16 | 0 | .70 |
| 26 | 26L050SH | 3.104 | 3 1/32 | GF-1 + | SH | 1/2-1 11/16 | 3/16 | 0 | 1 1/16 | 0 | 1.00 |
| 28 | 28L050SH | 3.342 | 3 37/64 | GF-1 + | SH | 1/2-1 11/16 | 3/16 | 0 | 1 1/16 | 0 | 1.10 |
| 30 | 30L050SDS | 3.581 | 3 39/64 | GF-1 | SDS | 1/2-2 | 3/8 | 0 | 1 1/8 | 0 | 1.10 |
| 32 | 32L050SDS | 3.820 | 4 1/16 | GF-1 | SDS | 1/2-2 | 3/8 | 0 | 1 1/8 | 0 | 1.40 |
| 36 | 36L050SDS | 4.297 | 4 17/32 | GF-1 | SDS | 1/2-2 | 3/8 | 0 | 1 1/8 | 0 | 2.00 |
| 40 | 40L050SDS | 4.775 | 5 1/16 | GF-1 | SDS | 1/2-2 | 3/8 | 0 | 1 1/8 | 0 | 2.80 |
| 44 | 44L050SDS | 5.252 | 5 21/64 | GF-1 | SDS | 1/2-2 | 3/8 | 0 | 1 1/8 | 0 | 3.60 |
| 48 | 48L050SDS | 5.730 | 6 1/16 | GF-1 | SDS | 1/2-2 | 3/8 | 0 | 1 1/8 | 0 | 4.40 |
| 60 | 60L050SD | 7.162 | — | G-3 | SD | 1/2-2 | 3/8 | 1/4 | 1 1/16 | 1/4 | 4.20 |
| 72 | 72L050SD | 8.594 | — | G-3 | SD | 1/2-2 | 3/8 | 1/4 | 1 1/16 | 1/4 | 6.60 |
| 84 | 84L050SD | 10.027 | — | G-3 | SD | 1/2-2 | 3/8 | 1/4 | 1 1/16 | 1/4 | 5.80 |

Dimensions in inches. Weight in pounds
Pulley O.D. = P.D. - .03"

*Reverse mount drilled only
+Bushing Projects 1/16 on Small End.

L050 Taper Bushed
on Page K7



L050 For Belts 1/2" Wide (3/8" Pitch) Taper Bushed Type

$$F = \frac{3}{4}$$

| No. Teeth | Part Number | Pitch Diam. | Max FL O.D. | Type | Bush | Bore Range | Dimensions | | | | Wt. Less Bush. |
|-----------|-------------|-------------|---------------------------------|------|------|------------|------------|---------|-------|-----|----------------|
| | | | | | | | E | H | L | M | |
| 18 | TB18L050 | 2.149 | 2 ²⁵ / ₆₄ | CF-1 | 1008 | 1/2-1 | 1/8 | 1 1/8 | 3/8 | — | 0.45 |
| 20 | TB20L050 | 2.387 | 2 2/8 | CF-1 | 1008 | 1/2-1 | 1/8 | 1 11/16 | 3/8 | — | 0.68 |
| 22 | TB22L050 | 2.626 | 2 2/8 | CF-1 | 1008 | 1/2-1 | 1/8 | 2 | 3/8 | — | 0.90 |
| 24 | TB24L050 | 2.865 | 3 1/64 | CF-1 | 1210 | 1/2-1 1/4 | 1/4 | 2 1/4 | 1 | — | 1.00 |
| 26 | TB26L050 | 3.104 | 3 11/32 | CF-1 | 1210 | 1/2-1 1/4 | 1/4 | 2 1/2 | 1 | — | 1.20 |
| 28 | TB28L050 | 3.342 | 3 3/64 | CF-1 | 1610 | 1/2-1 1/4 | 1/4 | 2 3/4 | 1 | — | 1.40 |
| 30 | TB30L050 | 3.581 | 3 5/64 | CF-1 | 1610 | 1/2-1 1/4 | 1/4 | 2 7/8 | 1 | — | 1.50 |
| 32 | TB32L050 | 3.820 | 4 1/16 | CF-1 | 1610 | 1/2-1 1/4 | 1/4 | 3 1/16 | 1 | — | 1.90 |
| 40 | TB40L050 | 4.775 | 5 1/64 | CF-1 | 2012 | 1/2-2 | 1/2 | 3 11/16 | 1 1/4 | — | 2.40 |
| 48 | TB48L050 | 5.730 | 6 1/64 | CF-1 | 2012 | 1/2-2 | 1/2 | 3 11/16 | 1 1/4 | — | 3.20 |
| 60 | TB60L050 | 7.162 | — | C-2 | 2012 | 1/2-2 | 1/4 | 4 3/8 | 1 1/4 | 1/4 | 4.90 |

Dimensions in inches. Weight in pounds
Pulley O.D. = P.D. - .03"

L075 For Belts 3/4" Wide (3/8" Pitch) Minimum Plain Bore

$$F = 1$$

| No. Teeth | Part Number | Pitch Diam. | Max FL O.D. | Type | Bore | | Dimensions | | | Wt. |
|-----------|-------------|-------------|-------------|------|--------|--------|------------|---------|-------|-----|
| | | | | | Stk. * | Max. | E | H | L | |
| 12 | 12L075 | 1.432 | 1 13/64 | DF-1 | 3/8 | 1 1/16 | 1/2 | 1 1/16 | 1 1/2 | .40 |
| 14 | 14L075 | 1.671 | 1 5/64 | DF-1 | 3/8 | 7/8 | 1/2 | 1 1/8 | 1 1/2 | .50 |
| 16 | 16L075 | 1.910 | 2 2/32 | DF-1 | 1/2 | 1 1/8 | 5/8 | 1 1/16 | 1 3/4 | .70 |
| 18 | 18L075 | 2.149 | 2 25/64 | DF-1 | 1/2 | 1 1/8 | 5/8 | 1 1/8 | 1 3/4 | .90 |
| 20 | 20L075 | 2.387 | 2 2/8 | DF-1 | 1/2 | 1 1/4 | 5/8 | 1 11/16 | 1 3/4 | 1.5 |
| 22 | 22L075 | 2.626 | 2 2/8 | DF-1 | 3/4 | 1 1/2 | 3/4 | 2 | 1 3/4 | 1.8 |
| 24 | 24L075 | 2.865 | 3 3/64 | DF-1 | 3/4 | 1 5/8 | 3/4 | 2 1/4 | 1 3/4 | 2.1 |
| 26 | 26L075 | 3.104 | 3 11/32 | DF-1 | 3/4 | 1 3/4 | 7/8 | 2 1/2 | 1 3/4 | 2.8 |
| 28 | 28L075 | 3.342 | 3 3/64 | DF-1 | 3/4 | 1 3/4 | 1 | 2 3/4 | 2 | 3.1 |
| 30 | 30L075 | 3.581 | 3 5/64 | DF-1 | 3/4 | 1 7/8 | 1 | 2 3/4 | 2 | 3.4 |
| 32 | 32L075 | 3.820 | 4 1/16 | DF-1 | 3/4 | 1 7/8 | 1 | 3 1/16 | 2 | 3.7 |

Dimensions in inches. Weight in pounds.
Pulley O.D. = P.D. - .03"

L Pulleys 12 - 16 teeth min. plain bore stocked with 1-SS. If keyway is used, reduce maximum bore by twice keyway depth.

PULLEYS

L

3/8" Pitch

Stock Timing Pulleys

L075 For Belts 3/4" Wide (3/8" Pitch)

QD Type

F = 1

| No. Teeth | Part Number | Pitch Diam. | Max FL O.D. | Type | Bush | Bore Range | Dimensions | | | | Wt. Less Bush. |
|-----------|-------------|-------------|---------------------------------|-------|------|---------------|------------|-----|---------|------|----------------|
| | | | | | | | E | K | L | M | |
| 18 | 18L075JA | 2.149 | 2 ²⁹ / ₆₄ | EF-1* | JA | 1/2 - 1 1/4 | 7/16 | — | 1 1/16 | 1/2 | .50 |
| 20 | 20L075JA | 2.387 | 2 5/8 | EF-1* | JA | 1/2 - 1 1/4 | 7/16 | — | 1 1/16 | 1/2 | .70 |
| 22 | 22L075JA | 2.626 | 2 7/8 | EF-1* | JA | 1/2 - 1 1/4 | 7/16 | — | 1 1/16 | 1/2 | .80 |
| 24 | 24L075SH | 2.865 | 3 1/64 | EF-1* | SH | 1/2 - 1 11/16 | 3/8 | — | 1 5/16 | 5/16 | .80 |
| 26 | 26L075SH | 3.104 | 3 17/32 | EF-1* | SH | 1/2 - 1 11/16 | 3/8 | — | 1 5/16 | 5/16 | 1.1 |
| 28 | 28L075SH | 3.342 | 3 7/64 | EF-1* | SH | 1/2 - 1 11/16 | 3/8 | — | 1 5/16 | 5/16 | 1.3 |
| 30 | 30L075SDS | 3.581 | 3 9/64 | EF-1* | SDS | 1/2 - 2 | 1/4 | — | 1 3/8 | 5/8 | 1.5 |
| 32 | 32L075SDS | 3.820 | 4 1/16 | EF-1* | SDS | 1/2 - 2 | 1/4 | — | 1 3/8 | 5/8 | 1.7 |
| 36 | 36L075SDS | 4.297 | 4 17/32 | HF-1 | SDS | 1/2 - 2 | 3/8 | 1/4 | 1 3/8 | 0 | 2.3 |
| 40 | 40L075SDS | 4.775 | 5 1/64 | HF-1 | SDS | 1/2 - 2 | 3/8 | 1/4 | 1 3/8 | 0 | 3.1 |
| 44 | 44L075SDS | 5.252 | 5 7/64 | HF-1 | SDS | 1/2 - 2 | 3/8 | 1/4 | 1 3/8 | 0 | 4.0 |
| 48 | 48L075SDS | 5.730 | 6 1/64 | HF-1 | SDS | 1/2 - 2 | 3/8 | 1/4 | 1 3/8 | 0 | 4.6 |
| 60 | 60L075SD | 7.162 | — | G-3 | SD | 1/2 - 2 | 1 1/16 | 1/8 | 1 13/16 | 1/8 | 4.7 |
| 72 | 72L075SD | 8.594 | — | G-3 | SD | 1/2 - 2 | 1 1/16 | 1/8 | 1 13/16 | 1/8 | 6.5 |
| 84 | 84L075SD | 10.027 | — | G-3 | SD | 1/2 - 2 | 1 1/16 | 1/8 | 1 13/16 | 1/8 | 6.3 |

Dimensions in inches. Weight in pounds

Pulley O.D. = P.D. - .03"

*Reverse mount only

L075 For Belts 3/4" Wide (3/8" Pitch)

Taper Bushed Type

| No. Teeth | Part Number | Pitch Diam. | Max FL O.D. | Type | Bush | Bore Range | Dimensions | | | | Wt. Less Bush. |
|-----------|-------------|-------------|---------------------------------|------|------|-------------|------------|---------|-------|-----|----------------|
| | | | | | | | E | H | L | M | |
| 18 | TB18L075 | 2.149 | 2 ²⁹ / ₆₄ | KF-1 | 1008 | 1/2 - 1 | 1/8 | — | 7/8 | — | .50 |
| 20 | TB20L075 | 2.387 | 2 5/8 | KF-1 | 1008 | 1/2 - 1 | 1/8 | — | 7/8 | — | .70 |
| 22 | TB22L075 | 2.626 | 2 7/8 | KF-1 | 1008 | 1/2 - 1 | 1/8 | — | 7/8 | — | 1.10 |
| 24 | TB24L075 | 2.865 | 3 1/64 | KF-1 | 1210 | 1/2 - 1 1/4 | — | — | 1 | — | .90 |
| 26 | TB26L075 | 3.104 | 3 17/32 | KF-1 | 1210 | 1/2 - 1 1/4 | — | — | 1 | — | 1.30 |
| 28 | TB28L075 | 3.342 | 3 37/64 | KF-1 | 1610 | 1/2 - 1 5/8 | — | — | 1 | — | 1.30 |
| 30 | TB30L075 | 3.581 | 3 9/64 | KF-1 | 1610 | 1/2 - 1 5/8 | — | — | 1 | — | 1.60 |
| 32 | TB32L075 | 3.820 | 4 1/16 | KF-1 | 1610 | 1/2 - 1 5/8 | — | — | 1 | — | 1.80 |
| 40 | TB40L075 | 4.775 | 5 1/64 | CF-1 | 2012 | 1/2 - 2 | 1/4 | 3 15/16 | 1 1/4 | — | 3.60 |
| 48 | TB48L075 | 5.730 | 6 1/64 | CF-1 | 2012 | 1/2 - 2 | 1/4 | 3 15/16 | 1 1/4 | — | 5.40 |
| 60 | TB60L075 | 7.162 | — | C-1 | 2012 | 1/2 - 2 | 1/8 | 4 3/8 | 1 1/4 | 1/8 | 7.90 |

Dimensions in inches. Weight in pounds

Pulley O.D. = P.D. - .03"



Stock Timing Pulleys

L
3/8" Pitch

L100 For Belts 1" Wide (3/8" Pitch) Minimum Plain Bore

F = 1/4

| No. Teeth | Part Number | Pitch Diam. | Max FL O.D. | Type | Bore | | Dimensions | | | Wt. |
|-----------|-------------|-------------|---------------------------------|------|-------|--------|------------|---------|-------|------|
| | | | | | Stk.* | Max. | E | H | L | |
| 14 | 14L100 | 1.671 | 1 ⁵⁹ / ₆₄ | DF-1 | 3/8 | 7/8 | 1/2 | 1 1/8 | 1 1/4 | .60 |
| 16 | 16L100 | 1.910 | 2 ⁵ / ₃₂ | DF-1 | 1/2 | 1 1/8 | 5/8 | 1 1/16 | 1 1/8 | .80 |
| 17 | 17L100 | 2.029 | 2 ⁹ / ₃₂ | DF-1 | 1/2 | 1 1/8 | 5/8 | 1 1/2 | 1 1/8 | 1.0 |
| 18 | 18L100 | 2.149 | 2 ²⁹ / ₆₄ | DF-1 | 1/2 | 1 3/16 | 5/8 | 1 3/8 | 1 1/8 | 1.1 |
| 19 | 19L100 | 2.268 | 2 3/8 | DF-1 | 1/2 | 1 3/16 | 5/8 | 1 3/8 | 1 1/8 | 1.4 |
| 20 | 20L100 | 2.387 | 2 3/8 | DF-1 | 1/2 | 1 3/16 | 5/8 | 1 11/16 | 1 1/8 | 1.75 |
| 21 | 21L100 | 2.507 | 2 7/4 | DF-1 | 5/8 | 1 1/16 | 11/16 | 1 1/8 | 1 1/8 | 1.80 |
| 22 | 22L100 | 2.626 | 2 7/8 | DF-1 | 5/8 | 1 1/2 | 3/4 | 2 | 2 | 2.0 |
| 24 | 24L100 | 2.865 | 3 3/64 | DF-1 | 5/8 | 1 5/8 | 3/4 | 2 1/4 | 2 | 2.5 |
| 26 | 26L100 | 3.104 | 3 11/32 | DF-1 | 5/8 | 1 5/8 | 7/8 | 2 1/2 | 2 1/8 | 3.3 |
| 28 | 28L100 | 3.342 | 3 37/64 | DF-1 | 5/8 | 1 5/8 | 1 | 2 3/4 | 2 1/4 | 3.6 |
| 30 | 30L100 | 3.581 | 3 59/64 | DF-1 | 5/8 | 1 5/8 | 1 | 2 5/8 | 2 1/4 | 4.0 |
| 32 | 32L100 | 3.820 | 4 1/16 | DF-1 | 5/8 | 1 5/8 | 1 | 3 1/16 | 2 1/4 | 4.4 |

Dimensions in inches. Weight in pounds

Pulley O.D. = P.D. - .03"

L Pulleys 14 - 16 teeth min. plain bore stocked with 1-S.S. If keyway is used, reduce maximum bore by twice keyway depth.

L100 For Belts 1" Wide (3/8" Pitch) QD Type

F = 1/4

| No. Teeth | Part Number | Pitch Diam. | Max FL O.D. | Type | Bush | Bore Range | Dimensions | | | | Wt. Less Bush. |
|-----------|-------------|-------------|---------------------------------|-------|------|---------------|------------|-----|--------|------|----------------|
| | | | | | | | E | K | L | M | |
| 18 | 18L100JA | 2.149 | 2 ²⁹ / ₆₄ | EF-1* | JA | 1/2 - 1 1/4 | 1 1/16 | — | 1 1/16 | 1/2 | .70 |
| 20 | 20L100JA | 2.387 | 2 3/8 | EF-1* | JA | 1/2 - 1 1/4 | 1 1/16 | — | 1 1/16 | 1/2 | .90 |
| 22 | 22L100JA | 2.626 | 2 7/8 | EF-1* | JA | 1/2 - 1 1/4 | 1 1/16 | — | 1 1/16 | 1/2 | 1.0 |
| 24 | 24L100SH | 2.865 | 3 3/64 | EF-1* | SH | 1/2 - 1 11/16 | 7/16 | — | 1 1/16 | 5/16 | 1.0 |
| 26 | 26L100SH | 3.104 | 3 11/32 | EF-1* | SH | 1/2 - 1 11/16 | 7/16 | — | 1 1/16 | 5/16 | 1.3 |
| 28 | 28L100SH | 3.342 | 3 37/64 | EF-1* | SH | 1/2 - 1 11/16 | 7/16 | — | 1 1/16 | 5/16 | 1.7 |
| 30 | 30L100SDS | 3.581 | 3 59/64 | EF-1* | SDS | 1/2 - 2 | 1/2 | — | 1 3/8 | 5/8 | 2.0 |
| 32 | 32L100SDS | 3.820 | 4 1/16 | EF-1* | SDS | 1/2 - 2 | 1/2 | — | 1 3/8 | 5/8 | 2.1 |
| 36 | 36L100SDS | 4.297 | 4 17/32 | HF-1 | SDS | 1/2 - 2 | 1/2 | 1/2 | 1 3/8 | 0 | 2.6 |
| 40 | 40L100SDS | 4.775 | 5 1/64 | HF-1 | SDS | 1/2 - 2 | 1/2 | 1/2 | 1 3/8 | 0 | 3.4 |
| 44 | 44L100SDS | 5.252 | 5 37/64 | HF-1 | SDS | 1/2 - 2 | 1/2 | 1/2 | 1 3/8 | 0 | 4.2 |
| 48 | 48L100SDS | 5.730 | 6 1/64 | HF-1 | SDS | 1/2 - 2 | 1/2 | 1/2 | 1 3/8 | 0 | 5.1 |
| 60 | 60L100SD | 7.162 | — | G-3 | SD | 1/2 - 2 | 5/8 | 0 | 1 3/16 | 0 | 6.0 |
| 72 | 72L100SD | 8.594 | — | G-3 | SD | 1/2 - 2 | 5/8 | 0 | 1 3/16 | 0 | 8.0 |
| 84 | 84L100SD | 10.027 | — | G-3 | SD | 1/2 - 2 | 5/8 | 0 | 1 3/16 | 0 | 9.2 |

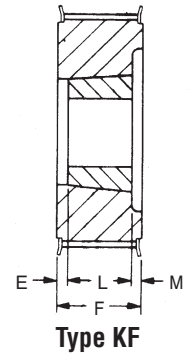
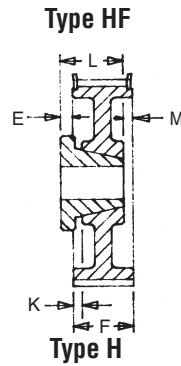
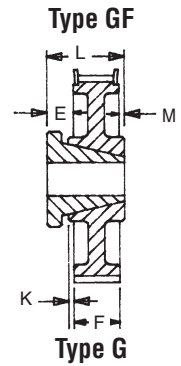
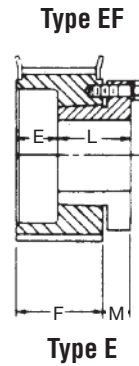
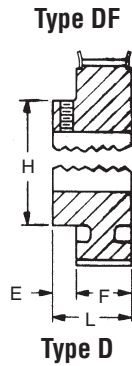
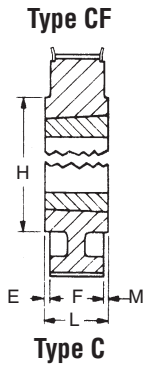
Dimensions in inches. Weight in pounds

Pulley O.D. = P.D. - .03"

*Reverse mount only

L 3/8" Pitch

Stock Timing Pulleys



Dash 1 = Solid Style

Dash 2 = Web Style

Dash 3 = Arm/Spoke Style

"F" in type description indicates flanged.

L100 For Belts 1" Wide (3/8" Pitch) Taper Bushed Type

F = 1 1/4

| No. Teeth | Part Number | Pitch Diam. | Max FL.O.D. | Type | Bush | Bore Range | Dimensions | | | | Wt. Less Bush. |
|-----------|-------------|-------------|---------------------------------|------|------|-------------|------------|---|-------|---|----------------|
| | | | | | | | E | K | L | M | |
| 18 | TB18L100 | 2.149 | 2 ²⁹ / ₆₄ | KF-1 | 1008 | 1/2 - 1 | 3/8 | — | 3/8 | — | .70 |
| 20 | TB20L100 | 2.387 | 2 ³ / ₈ | KF-1 | 1008 | 1/2 - 1 | 3/8 | — | 3/8 | — | 1.0 |
| 22 | TB22L100 | 2.626 | 2 ⁵ / ₁₆ | KF-1 | 1008 | 1/2 - 1 | 3/8 | — | 3/8 | — | 1.3 |
| 24 | TB24L100 | 2.865 | 3 ¹ / ₁₆ | KF-1 | 1210 | 1/2 - 1 1/4 | 1/4 | — | 1 | — | 1.3 |
| 26 | TB26L100 | 3.104 | 3 ¹ / ₃₂ | KF-1 | 1210 | 1/2 - 1 1/4 | 1/4 | — | 1 | — | 1.7 |
| 28 | TB28L100 | 3.342 | 3 ³ / ₁₆ | KF-1 | 1610 | 1/2 - 1 3/8 | 1/4 | — | 1 | — | 1.7 |
| 30 | TB30L100 | 3.581 | 3 ⁹ / ₁₆ | KF-1 | 1610 | 1/2 - 1 3/8 | 1/4 | — | 1 | — | 2.2 |
| 32 | TB32L100 | 3.820 | 4 ¹ / ₁₆ | KF-1 | 1610 | 1/2 - 1 3/8 | 1/4 | — | 1 | — | 2.7 |
| 40 | TB40L100 | 4.775 | 5 ¹ / ₁₆ | KF-1 | 2012 | 1/2 - 2 | 1/16 | — | 1 1/4 | — | 3.6 |
| 48 | TB48L100 | 5.730 | 6 ¹ / ₁₆ | KF-1 | 2012 | 1/2 - 2 | 1/16 | — | 1 1/4 | — | 5.1 |
| 60 | TB60L100 | 7.162 | — | C-2 | 2012 | 1/2 - 2 | — | — | 1 1/4 | — | 6.0 |

Dimensions in inches. Weight in pounds
Pulley O.D. = P.D. - .03"



Stock Timing Pulleys

H 1/2" Pitch

H — 1/2" Pitch

H100 For Belts 3/4" and 1" Wide (1/2" Pitch)

Minimum Plain Bore

F = 1 5/16

| No. Teeth | Part Number | Pitch Diam. | Max FL. O.D. | Type | Bore | | Dimensions | | | Wt. |
|-----------|-------------|-------------|---------------------------------|------|------|---------|------------|-------|---------|-----|
| | | | | | Stk. | Max. | E | H | L | |
| 14 | 14H100 | 2.228 | 2 ³¹ / ₆₄ | DF-1 | 3/8 | 1 | 5/8 | 1 1/2 | 1 15/16 | 1.4 |
| 16 | 16H100 | 2.546 | 2 ⁵¹ / ₆₄ | DF-1 | 3/8 | 1 1/4 | 1 1/16 | 2 | 2 | 2.0 |
| 18 | 18H100 | 2.865 | 3 ³ / ₆₄ | DF-1 | 3/8 | 1 1/2 | 1 1/16 | 2 1/4 | 2 | 2.8 |
| 20 | 20H100 | 3.183 | 3 ⁷ / ₁₆ | DF-1 | 3/8 | 1 5/8 | 7/8 | 2 1/2 | 2 3/16 | 3.4 |
| 21 | 21H100 | 3.342 | 3 ⁷ / ₁₆ | DF-1 | 3/4 | 1 11/16 | 1 | 2 3/8 | 2 1/4 | 3.8 |
| 22 | 22H100 | 3.501 | 3 3/4 | DF-1 | 3/4 | 1 7/8 | 1 | 2 3/8 | 2 5/16 | 4.3 |
| 24 | 24H100 | 3.820 | 4 ¹ / ₆₄ | DF-1 | 3/4 | 2 1/8 | 1 | 3 3/8 | 2 5/16 | 5.3 |
| 26 | 26H100 | 4.138 | 4 ²⁵ / ₆₄ | DF-1 | 3/4 | 2 1/2 | 1 1/8 | 3 3/8 | 2 5/16 | 6.7 |
| 28 | 28H100 | 4.456 | 4 ⁴⁵ / ₆₄ | DF-1 | 3/4 | 2 3/8 | 1 1/8 | 3 3/8 | 2 5/16 | 8.0 |

Dimensions in inches. Weight in pounds
Pulley O.D. = P.D. - .054"

H100 For Belts 3/4" and 1" Wide (1/2" Pitch)

QD Type

F = 1 5/16

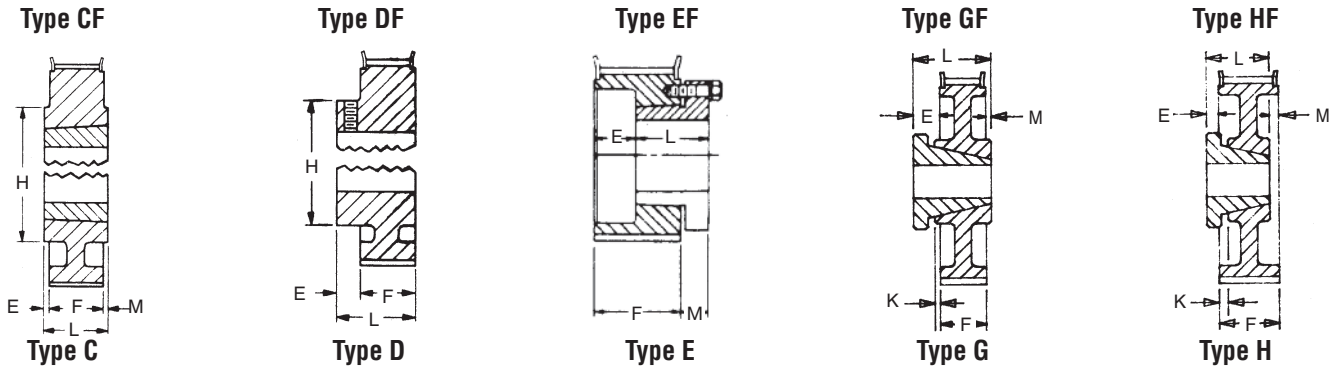
| No. Teeth | Part Number | Pitch Diam. | Max FL. O.D. | Type | Bush | Bore Range | Dimensions | | | | | Wt. Less Bush. |
|-----------|-------------|-------------|---------------------------------|-------|------|---------------|------------|-------|------|--------|------|----------------|
| | | | | | | | E | H | K | L | M | |
| 14 | 14H100JA | 2.228 | 2 ³¹ / ₆₄ | EF-1* | JA | 1/2 - 1 1/4 | 3/4 | — | — | 1 1/16 | 1/2 | 1.0 |
| 16 | 16H100JA | 2.546 | 2 ⁵¹ / ₆₄ | EF-1* | JA | 1/2 - 1 1/4 | 3/4 | — | — | 1 1/16 | 1/2 | 1.5 |
| 18 | 18H100SH | 2.865 | 3 ³ / ₆₄ | EF-1* | SH | 1/2 - 1 11/16 | 9/16 | — | — | 1 3/16 | 5/16 | 1.2 |
| 20 | 20H100SH | 3.183 | 3 ⁷ / ₁₆ | EF-1* | SH | 1/2 - 1 11/16 | 9/16 | — | — | 1 5/16 | 5/16 | 1.2 |
| 22 | 22H100SDS | 3.501 | 3 3/4 | EF-1* | SDS | 1/2 - 2 | 9/16 | — | — | 1 1/8 | 5/16 | 1.4 |
| 24 | 24H100SDS | 3.820 | 4 ¹ / ₆₄ | EF-1* | SDS | 1/2 - 2 | 9/16 | — | — | 1 3/8 | 5/16 | 1.7 |
| 26 | 26H100SDS | 4.138 | 4 ²⁵ / ₆₄ | HF-1 | SDS | 1/2 - 2 | 1/16 | — | 9/16 | 1 3/8 | — | 2.0 |
| 28 | 28H100SDS | 4.456 | 4 ⁴⁵ / ₆₄ | HF-1 | SDS | 1/2 - 2 | 1/16 | — | 9/16 | 1 3/8 | — | 2.6 |
| 30 | 30H100SD | 4.775 | 5 ¹ / ₆₄ | GF-1 | SD | 1/2 - 2 | 5/8 | — | — | 1 3/16 | — | 3.0 |
| 32 | 32H100SK | 5.093 | 5 ²¹ / ₆₄ | GF-1 | SK | 1/2 - 2 3/8 | 1 1/16 | — | — | 1 5/16 | — | 4.9 |
| 36 | 36H100SK | 5.730 | 5 ⁵¹ / ₆₄ | GF-1 | SK | 1/2 - 2 3/8 | 1 1/16 | — | — | 1 5/16 | — | 5.6 |
| 40 | 40H100SK | 6.366 | 6 ³⁷ / ₆₄ | GF-1 | SK | 1/2 - 2 3/8 | 1 1/16 | — | — | 1 5/16 | — | 8.2 |
| 44 | 44H100SK | 7.003 | 7 1/4 | GF-1 | SK | 1/2 - 2 3/8 | 1 1/16 | — | — | 1 5/16 | — | 10.0 |
| 48 | 48H100SK | 7.639 | 8 ¹ / ₆₄ | GF-2 | SK | 1/2 - 2 3/8 | 1 1/16 | — | — | 1 5/16 | — | 12.5 |
| 60 | 60H100SF | 9.549 | — | H-2 | SF | 1/2 - 2 15/16 | 1 1/16 | — | — | 2 1/16 | — | 10.9 |
| 72 | 72H100SF | 11.459 | — | H-3 | SF | 1/2 - 2 15/16 | 1 1/16 | — | — | 2 1/16 | — | 14.0 |
| 84 | 84H100SF | 13.369 | — | H-3 | SF | 1/2 - 2 15/16 | 1 1/16 | 5 1/8 | — | 2 1/16 | — | 20.0 |
| 96 | 96H100SF | 15.279 | — | H-3 | SF | 1/2 - 2 15/16 | 1 1/16 | 5 1/8 | — | 2 1/16 | — | 27.0 |
| 120 | 120H100SF | 19.099 | — | H-3 | SF | 1/2 - 2 15/16 | 1 1/16 | 5 1/8 | — | 2 1/16 | — | 38.0 |

Dimensions in inches. Weight in pounds
Pulley O.D. = P.D. - .054"

*Reverse mount only

H 1/2" Pitch

Stock Timing Pulleys



Dash 1 = Solid Style Dash 2 = Web Style Dash 3 = Arm/Spoke Style

“F” in description indicates flanged.

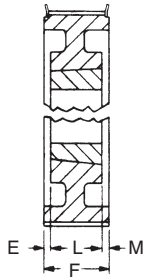
H100 For Belts 3/4" and 1" Wide (1/2" Pitch) Taper Bushed Type

F = 1 5/16

| No. Teeth | Part Number | Pitch Diam. | Max Fl. O.D. | Type | Bush | Bore Range | Dimensions | | | | Wt. Less Bush. |
|-----------|-------------|-------------|--------------------------------|------|------|-------------|--------------------------------|--------------------------------|-------|--------------------------------|----------------|
| | | | | | | | E | H | L | M | |
| 14 | TB14H100 | 2.228 | 2 ³ / ₆₄ | KF-1 | 1008 | 1/2 - 1 | 7/16 | — | 7/8 | — | .80 |
| 16 | TB16H100 | 2.546 | 2 ⁵ / ₆₄ | KF-1 | 1008 | 1/2 - 1 | 7/16 | — | 7/8 | — | 1.3 |
| 18 | TB18H100 | 2.865 | 3 ⁷ / ₆₄ | KF-1 | 1210 | 1/2 - 1 1/4 | 9/16 | — | 1 | — | 1.2 |
| 20 | TB20H100 | 3.183 | 3 ⁷ / ₁₆ | KF-1 | 1210 | 1/2 - 1 1/4 | 9/16 | — | 1 | — | 1.7 |
| 22 | TB22H100 | 3.501 | 3 3/4 | KF-1 | 1610 | 1/2 - 1 5/8 | 9/16 | — | 1 | — | 1.8 |
| 24 | TB24H100 | 3.820 | 4 ¹ / ₆₄ | KF-1 | 1610 | 1/2 - 1 5/8 | 5/16 | — | 1 | — | 2.3 |
| 26 | TB26H100 | 4.138 | 4 ² / ₆₄ | KF-1 | 2012 | 1/2 - 2 | 1/16 | — | 1 1/4 | — | 2.6 |
| 28 | TB28H100 | 4.456 | 4 ⁴ / ₆₄ | KF-1 | 2012 | 1/2 - 2 | 1/16 | — | 1 1/4 | — | 2.8 |
| 30 | TB30H100 | 4.775 | 5 ⁵ / ₆₄ | KF-1 | 2012 | 1/2 - 2 | 1/16 | — | 1 1/4 | — | 4.2 |
| 32 | TB32H100 | 5.093 | 5 ⁷ / ₆₄ | CF-1 | 2517 | 1/2 - 2 1/2 | 7/16 | 4 ⁷ / ₁₆ | 1 3/4 | — | 4.3 |
| 40 | TB40H100 | 6.366 | 6 ³ / ₆₄ | CF-1 | 2517 | 1/2 - 2 1/2 | 7/16 | 4 ⁷ / ₁₆ | 1 3/4 | — | 7.8 |
| 48 | TB48H100 | 7.639 | 8 ⁵ / ₆₄ | CF-1 | 2517 | 1/2 - 2 1/2 | 7/16 | 4 ⁷ / ₁₆ | 1 3/4 | — | 12.1 |
| 60 | TB60H100 | 9.549 | — | C-2 | 3020 | 1/2 - 3 | 1 ¹ / ₃₂ | 6 ¹ / ₄ | 2 | 1 ¹ / ₃₂ | 10.3 |

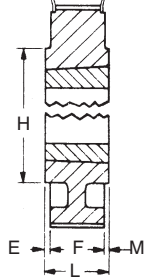
Dimensions in inches. Weight in pounds
Pulley O.D. = P.D. - .054"

Type AF



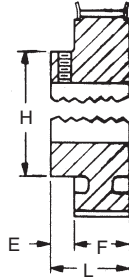
Type A

Type CF



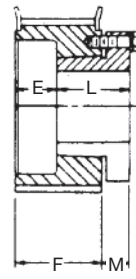
Type C

Type DF



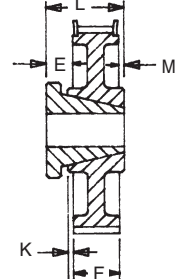
Type D

Type EF



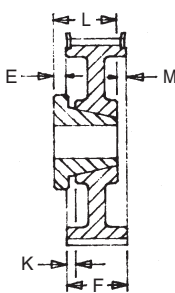
Type E

Type GF

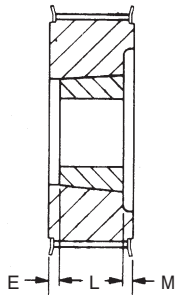


Type G

Type HF



Type H



Type KF

Dash 1 = Solid Style

Dash 2 = Web Style

Dash 3 = Arm/Spoke Style

"F" in type description indicates flanged.

H150 For Belts 1 1/2" Wide (1/2" Pitch) Minimum Plain Bore

$$F = 1\frac{13}{16}$$

| No. Teeth | Part Number | Pitch Diam. | Max FL O.D. | Type | Bore | | Dimensions | | | Wt. |
|-----------|-------------|-------------|---------------------------------|------|------|---------|------------|-------|---------------------------------|-----|
| | | | | | Stk. | Max. | E | H | L | |
| 14 | 14H150 | 2.228 | 2 ³ / ₆₄ | DF-1 | 3/4 | 1 | 5/8 | 1 1/2 | 2 ⁷ / ₁₆ | 1.8 |
| 16 | 16H150 | 2.546 | 2 ⁵ / ₆₄ | DF-1 | 3/4 | 1 1/4 | 3/4 | 2 | 2 ⁵ / ₁₆ | 2.5 |
| 18 | 18H150 | 2.865 | 3 ³ / ₆₄ | DF-1 | 3/4 | 1 1/2 | 3/4 | 2 1/4 | 2 ⁵ / ₁₆ | 3.3 |
| 19 | 19H150 | 3.024 | 3/4 | DF-1 | 3/4 | 1 15/16 | 7/8 | 2 1/4 | 2 ⁵ / ₁₆ | 3.9 |
| 20 | 20H150 | 3.183 | 3 ⁷ / ₁₆ | DF-1 | 3/4 | 1 1/8 | 7/8 | 2 1/2 | 2 ¹¹ / ₁₆ | 4.3 |
| 21 | 21H150 | 3.342 | 3 ⁹ / ₁₆ | DF-1 | 3/4 | 1 11/16 | 15/16 | 2 1/2 | 2 ³ / ₄ | 5.3 |
| 22 | 22H150 | 3.501 | 3/4 | DF-1 | 3/4 | 1 7/8 | 1 | 2 5/8 | 2 ¹³ / ₁₆ | 5.4 |
| 24 | 24H150 | 3.820 | 4 ¹ / ₁₆ | DF-1 | 3/4 | 2 1/8 | 1 | 3 1/4 | 2 ¹³ / ₁₆ | 6.5 |
| 26 | 26H150 | 4.138 | 4 ²⁵ / ₃₂ | DF-1 | 3/4 | 2 1/2 | 1 | 3 1/2 | 2 ¹³ / ₁₆ | 8.4 |

Dimensions in inches. Weight in pounds
Pulley O.D. = P.D. - .054"

H

1/2" Pitch

Stock Timing Pulleys



H150 For Belts 1 1/2" Wide (1/2" Pitch) QD Type

F = 1 13/16

| No. Teeth | Part Number | Pitch Diam. | Max FL O.D. | Type | Bush. | Bore Range | Dimensions | | | | Wt. Less Bush. |
|-----------|-------------|-------------|---------------------------------|-------|-------|---------------|------------|------|---------|------|----------------|
| | | | | | | | E | K | L | M | |
| 14 | 14H150JA | 2.228 | 2 ³ / ₆₄ | EF-1* | JA | 1/2 - 1 1/4 | 1 1/4 | — | 1 1/16 | 1/2 | 1.5 |
| 16 | 16H150JA | 2.546 | 2 ⁵ / ₆₄ | EF-1* | JA | 1/2 - 1 1/4 | 1 1/4 | — | 1 1/16 | 1/2 | 2.0 |
| 18 | 18H150SH | 2.865 | 3 ³ / ₆₄ | EF-1* | SH | 1/2 - 1 11/16 | 1 | — | 1 1/16 | 5/16 | 1.3 |
| 20 | 20H150SH | 3.183 | 3 ⁷ / ₆₄ | EF-1* | SH | 1/2 - 1 11/16 | 1 | — | 1 1/16 | 5/16 | 1.8 |
| 22 | 22H150SD | 3.501 | 3 3/4 | EF-1* | SD | 1/2 - 2 | 9/16 | — | 1 1/16 | 5/8 | 2.0 |
| 24 | 24H150SD | 3.820 | 4 1/16 | EF-1* | SD | 1/2 - 2 | 9/16 | — | 1 1/16 | 5/8 | 2.6 |
| 26 | 26H150SD | 4.138 | 4 ²⁹ / ₃₂ | HF-1 | SD | 1/2 - 2 | 1/16 | 9/16 | 1 13/16 | 1/16 | 3.0 |
| 28 | 28H150SD | 4.456 | 4 ⁴⁹ / ₆₄ | HF-1 | SD | 1/2 - 2 | 1/16 | 9/16 | 1 13/16 | 1/16 | 4.0 |
| 30 | 30H150SD | 4.775 | 5 ¹ / ₆₄ | HF-1 | SD | 1/2 - 2 | 1/16 | 9/16 | 1 13/16 | 1/16 | 4.9 |
| 32 | 32H150SK | 5.093 | 5 ⁷ / ₆₄ | HF-1 | SK | 1/2 - 2 5/16 | 1/8 | 9/16 | 1 15/16 | 0 | 5.8 |
| 36 | 36H150SK | 5.730 | 5 ³¹ / ₆₄ | HF-1 | SK | 1/2 - 2 5/16 | 1/8 | 9/16 | 1 15/16 | 0 | 7.0 |
| 40 | 40H150SK | 6.366 | 6 ³ / ₆₄ | HF-1 | SK | 1/2 - 2 5/16 | 1/8 | 9/16 | 1 15/16 | 0 | 9.2 |
| 44 | 44H150SK | 7.003 | 7 1/4 | HF-1 | SK | 1/2 - 2 5/16 | 1/8 | 9/16 | 1 15/16 | 0 | 11.0 |
| 48 | 48H150SK | 7.639 | 8 ¹ / ₆₄ | HF-2 | SK | 1/2 - 2 5/16 | 1/8 | 9/16 | 1 15/16 | 0 | 13.7 |
| 60 | 60H150SF | 9.549 | — | H-2 | SF | 1/2 - 2 15/16 | 1 3/32 | 5/32 | 2 1/16 | 5/32 | 12.5 |
| 72 | 72H150SF | 11.459 | — | H-3 | SF | 1/2 - 2 15/16 | 1 3/32 | 5/32 | 2 1/16 | 5/32 | 17.0 |
| 84 | 84H150SF | 13.369 | — | H-3 | SF | 1/2 - 2 15/16 | 1 3/32 | 5/32 | 2 1/16 | 5/32 | 21.5 |
| 96 | 96H150SF | 15.279 | — | H-3 | SF | 1/2 - 2 15/16 | 1 3/32 | 5/32 | 2 1/16 | 5/32 | 31.0 |
| 120 | 120H150SF | 19.099 | — | H-3 | SF | 1/2 - 2 15/16 | 1 3/32 | 5/32 | 2 1/16 | 5/32 | 40.0 |

Dimensions in inches. Weight in pounds

Pulley O.D. = P.D. - .054"

*Reverse mount only

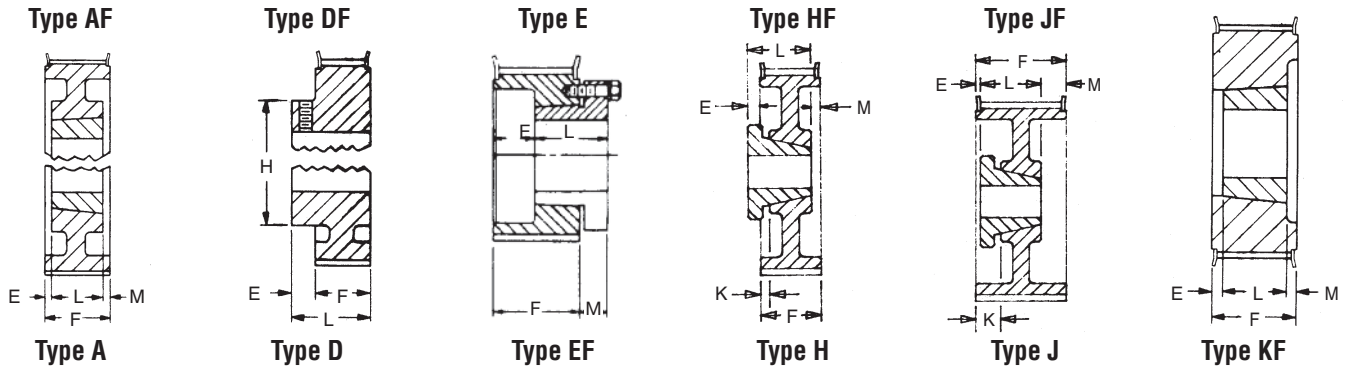
H150 For Belts 1 1/2" Wide (1/2" Pitch) Taper Bushed Type

F = 1 13/16

| No. Teeth | Part Number | Pitch Diam. | Max FL O.D. | Type | Bush | Bore Range | Dimensions | | | | | Wt. Less Bush. |
|-----------|-------------|-------------|---------------------------------|------|------|-------------|------------|-------|------|-------|--------|----------------|
| | | | | | | | E | H | K | L | M | |
| 14 | TB14H150 | 2.228 | 2 ³¹ / ₆₄ | KF-1 | 1008 | 1/2 - 1 | 1 5/32 | — | — | 7/8 | 1 5/32 | 1.0 |
| 16 | TB16H150 | 2.546 | 2 ⁵ / ₆₄ | KF-1 | 1008 | 1/2 - 1 | 1 5/32 | — | — | 7/8 | 1 5/32 | 1.5 |
| 18 | TB18H150 | 2.865 | 3 ³ / ₆₄ | KF-1 | 1215 | 1/2 - 1 1/4 | 5/16 | — | — | 1 1/2 | — | 1.6 |
| 20 | TB20H150 | 3.183 | 3 ⁷ / ₆₄ | KF-1 | 1215 | 1/2 - 1 1/4 | 5/16 | — | — | 1 1/2 | — | 2.2 |
| 22 | TB22H150 | 3.501 | 3 3/4 | KF-1 | 1615 | 1/2 - 1 5/8 | 5/16 | — | — | 1 1/2 | — | 2.5 |
| 24 | TB24H150 | 3.820 | 4 1/16 | KF-1 | 2012 | 1/2 - 2 | 9/16 | — | — | 1 1/4 | — | 2.7 |
| 26 | TB26H150 | 4.138 | 4 ²⁹ / ₃₂ | KF-1 | 2012 | 1/2 - 2 | 9/16 | — | — | 1 1/4 | — | 3.2 |
| 28 | TB28H150 | 4.456 | 4 ⁴⁹ / ₆₄ | KF-1 | 2012 | 1/2 - 2 | 9/16 | — | — | 1 1/4 | — | 4.1 |
| 30 | TB30H150 | 4.775 | 5 ¹ / ₆₄ | KF-1 | 2012 | 1/2 - 2 | 9/16 | — | — | 1 1/4 | — | 5.1 |
| 32 | TB32H150 | 5.093 | 5 ⁷ / ₆₄ | KF-1 | 2517 | 1/2 - 2 1/2 | 1/16 | — | — | 1 3/4 | — | 5.6 |
| 40 | TB40H150 | 6.366 | 6 ³ / ₆₄ | KF-1 | 2517 | 1/2 - 2 1/2 | 1/16 | — | — | 1 3/4 | — | 8.6 |
| 48 | TB48H150 | 7.639 | 8 ¹ / ₆₄ | AF-1 | 2517 | 1/2 - 2 1/2 | — | — | 1/16 | 1 3/4 | 1/16 | 13.6 |
| 60 | TB60H150 | 9.549 | — | C-2 | 3020 | 7/8 - 3 | 3/32 | 6 1/4 | — | 2 | 5/32 | 12.3 |

Dimensions in inches. Weight in pounds

Pulley O.D. = P.D. - .054"



Dash 1 = Solid Style Dash 2 = Web Style Dash 3 = Arm/Spoke Style

“F” in type description indicates flanged.

H200 For Belts 2" Wide (1/2" Pitch) Minimum Plain Bore

$$F = 2\frac{1}{32}$$

| No. Teeth | Part Number | Pitch Diam. | Max FL O.D. | Type | Bore | | Dimensions | | | Wt. |
|-----------|-------------|-------------|---------------------------------|------|------|--------|------------|-------|---------------------------------|-----|
| | | | | | Stk. | Max. | E | H | L | |
| 14 | 14H200 | 2.228 | 2 ⁵ / ₈ | DF-1 | 3/4 | 1 | 5/8 | 1 1/2 | 2 ³ / ₃₂ | 2.2 |
| 16 | 16H200 | 2.546 | 2 ⁵ / ₁₆ | DF-1 | 3/4 | 1 1/4 | 3/4 | 2 | 3 ³ / ₃₂ | 3.1 |
| 18 | 18H200 | 2.865 | 3 ³ / ₁₆ | DF-1 | 3/4 | 1 1/2 | 3/4 | 2 | 3 ³ / ₃₂ | 3.7 |
| 19 | 19H200 | 3.024 | 3 1/4 | DF-1 | 3/4 | 1 1/16 | 7/8 | 2 1/4 | 3 ³ / ₃₂ | 3.9 |
| 20 | 20H200 | 3.183 | 3 ⁷ / ₁₆ | DF-1 | 3/4 | 1 1/8 | 7/8 | 2 1/2 | 3 ³ / ₃₂ | 4.9 |
| 22 | 22H200 | 3.501 | 3 3/4 | DF-1 | 1 | 1 7/8 | 1 | 2 1/2 | 3 ¹¹ / ₃₂ | 6.3 |
| 24 | 24H200 | 3.820 | 4 ¹ / ₁₆ | DF-1 | 1 | 2 1/8 | 1 | 3 1/8 | 3 ¹¹ / ₃₂ | 7.5 |
| 26 | 26H200 | 4.138 | 4 ²⁹ / ₃₂ | DF-1 | 1 | 2 1/2 | 1 1/8 | 3 1/2 | 3 ¹¹ / ₃₂ | 9.5 |

Dimensions in inches. Weight in pounds
Pulley O.D. = P.D. - .054"

H 1/2" Pitch

Stock Timing Pulleys

H200 For Belts 2" Wide (1/2" Pitch) QD Type

$$F = 2\frac{1}{32}$$

| No. Teeth | Part Number | Pitch Diam. | Max. FL. O.D. | Type | Bush | Bore Range | Dimensions | | | | Wt. Less Bush. |
|-----------|-------------|-------------|---------------------------------|-------|------|---------------|---------------------------------|-------|---------|-------|----------------|
| | | | | | | | E | K | L | M | |
| 16 | 16H200JA | 2.546 | 2 ⁵¹ / ₆₄ | EF-1* | JA | 1/2 - 1 1/4 | 1 ²⁹ / ₃₂ | — | 1 1/16 | 1/2 | 2.6 |
| 18 | 18H200SH | 2.865 | 3 ⁷ / ₆₄ | EF-1* | SH | 1/2 - 1 11/16 | 1 17/32 | — | 1 5/16 | 9/16 | 1.6 |
| 20 | 20H200SH | 3.183 | 3 3/16 | EF-1* | SH | 1/2 - 1 11/16 | 1 17/32 | — | 1 5/16 | 9/16 | 2.2 |
| 22 | 22H200SD | 3.501 | 3 3/4 | EF-1* | SD | 1/2 - 2 | 1 3/32 | — | 1 3/16 | 5/8 | 2.5 |
| 24 | 24H200SD | 3.820 | 4 1/16 | EF-1* | SD | 1/2 - 2 | 1 3/32 | — | 1 3/16 | 5/8 | 3.0 |
| 26 | 26H200SD | 4.138 | 4 ²⁵ / ₃₂ | HF-1 | SD | 1/2 - 2 | 5/64 | 35/64 | 1 13/16 | 35/64 | 3.9 |
| 28 | 28H200SD | 4.456 | 4 ⁴⁵ / ₆₄ | HF-1 | SD | 1/2 - 2 | 5/64 | 35/64 | 1 13/16 | 35/64 | 4.7 |
| 30 | 30H200SD | 4.775 | 5 1/64 | HF-1 | SD | 1/2 - 2 | 5/64 | 35/64 | 1 13/16 | 35/64 | 5.7 |
| 32 | 32H200SK | 5.093 | 5 ²¹ / ₆₄ | HF-1 | SK | 1/2 - 2 5/8 | 5/64 | 35/64 | 1 15/16 | 35/64 | 6.7 |
| 36 | 36H200SK | 5.730 | 5 ⁵¹ / ₆₄ | HF-1 | SK | 1/2 - 2 5/8 | 5/64 | 35/64 | 1 15/16 | 35/64 | 8.0 |
| 40 | 40H200SK | 6.366 | 6 ³⁷ / ₆₄ | HF-1 | SK | 1/2 - 2 5/8 | 5/64 | 35/64 | 1 15/16 | 35/64 | 10.2 |
| 44 | 44H200SK | 7.003 | 7 1/4 | HF-1 | SK | 1/2 - 2 5/8 | 5/64 | 35/64 | 1 15/16 | 35/64 | 12.5 |
| 48 | 48H200SF | 7.639 | 8 1/64 | HF-2 | SF | 1/2 - 2 15/16 | 5/64 | 35/64 | 2 1/16 | 35/64 | 14.1 |
| 60 | 60H200SF | 9.549 | — | H-2 | SF | 1/2 - 2 15/16 | 5/64 | 35/64 | 2 1/16 | 35/64 | 14.6 |
| 72 | 72H200SF | 11.459 | — | H-3 | SF | 1/2 - 2 15/16 | 5/64 | 35/64 | 2 1/16 | 35/64 | 21.0 |
| 84 | 84H200SF | 13.369 | — | H-3 | SF | 1/2 - 2 15/16 | 5/64 | 35/64 | 2 5/16 | 35/64 | 23.0 |
| 96 | 96H200E | 15.279 | — | H-3 | E | 7/8 - 3 1/2 | 33/64 | 23/64 | 2 5/8 | 23/64 | 34.0 |
| 120 | 120H200E | 19.099 | — | H-3 | E | 7/8 - 3 1/2 | 33/64 | 23/64 | 2 5/8 | 23/64 | 42.0 |

Dimensions in inches. Weight in pounds

Pulley O.D. = P.D. - .054"

*Reverse mount only

H200 For Belts 2" Wide (1/2" Pitch) Taper Bushed Type

$$F = 2\frac{1}{32}$$

| No. Teeth | Part Number | Pitch Diam. | Max. FL. O.D. | Type | Bush | Bore Range | Dimensions | | | Wt. Less Bush. |
|-----------|-------------|-------------|---------------------------------|------|------|-------------|------------|-------|--------|----------------|
| | | | | | | | E | L | M | |
| 16 | TB16H200 | 2.546 | 2 ²⁵ / ₆₄ | KF-1 | 1008 | 1/2 - 1 | 3/4 | 7/8 | 23/32 | 1.9 |
| 18 | TB18H200 | 2.865 | 3 ⁷ / ₆₄ | KF-1 | 1215 | 1/2 - 1 1/4 | 7/16 | 1 1/2 | 13/32 | 1.8 |
| 20 | TB20H200 | 3.183 | 3 3/16 | KF-1 | 1215 | 1/2 - 1 1/4 | 21/64 | 1 1/2 | 21/64 | 2.6 |
| 22 | TB22H200 | 3.501 | 3 3/4 | KF-1 | 1615 | 1/2 - 1 5/8 | 21/64 | 1 1/2 | 21/64 | 2.8 |
| 24 | TB24H200 | 3.820 | 4 1/16 | KF-1 | 2012 | 1/2 - 2 | 35/64 | 1 1/4 | 35/64 | 2.8 |
| 26 | TB26H200 | 4.138 | 4 ²⁵ / ₃₂ | KF-1 | 2012 | 1/2 - 2 | 35/64 | 1 1/4 | 35/64 | 3.6 |
| 28 | TB28H200 | 4.456 | 4 ⁴⁵ / ₆₄ | KF-1 | 2012 | 1/2 - 2 | 35/64 | 1 1/4 | 35/64 | 5.1 |
| 30 | TB30H200 | 4.775 | 5 1/64 | KF-1 | 2012 | 1/2 - 2 | 1 3/32 | 1 1/4 | — | 7.0 |
| 32 | TB32H200 | 5.093 | 5 ²¹ / ₆₄ | KF-1 | 2517 | 1/2 - 2 1/2 | 19/32 | 1 3/4 | — | 8.5 |
| 40 | TB40H200 | 6.366 | 6 ³⁷ / ₆₄ | KF-1 | 2517 | 1/2 - 2 1/2 | 19/32 | 1 3/4 | — | 9.9 |
| 48 | TB48H200 | 7.639 | 8 1/64 | KF-1 | 3020 | 7/8 - 3 | 1 1/32 | 2 | — | 14.3 |
| 60 | TB60H200 | 9.549 | — | A-2 | 3020 | 7/8 - 3 | 1 1/64 | 2 | 1 1/64 | 15.3 |

Dimensions in inches. Weight in pounds

Pulley O.D. = P.D. - .054"



Stock Timing Pulleys

H 1/2" Pitch

H300 For Belts 3" Wide (1/2" Pitch) Minimum Plain Bore

F = 3 3/8

| No. Teeth | Part Number | Pitch Diam. | Max. FL. O.D. | Type | Bore | | Dimensions | | | Wt. |
|-----------|-------------|-------------|---------------|------|------|-------|------------|---|-------|-----|
| | | | | | Stk. | Max. | E | H | L | |
| 16 | 16H300 | 2.546 | 2 5/64 | DF-1 | 3/4 | 1 1/4 | 3/4 | 2 | 4 1/2 | 4.2 |

Dimensions in inches. Weight in pounds
Pulley O.D. = P.D. - .054"

H300 For Belts 3" Wide (1/2" Pitch) QD Type

F = 3 3/8

| No. Teeth | Part Number | Pitch Diam. | Max. FL. O.D. | Type | Bush | Bore Range | Dimensions | | | | Wt. Less Bush. |
|-----------|-------------|-------------|---------------|-------|------|---------------|------------|--------|--------|--------|----------------|
| | | | | | | | E | K | L | M | |
| 22 | 22H300SD | 3.501 | 3 3/4 | EF-1* | SD | 1/2 - 2 | 2 1/8 | — | 1 1/16 | 5/8 | 4.1 |
| 24 | 24H300SD | 3.820 | 4 1/16 | EF-1* | SD | 1/2 - 2 | 2 1/8 | — | 1 1/16 | 5/8 | 4.1 |
| 26 | 26H300SD | 4.138 | 4 25/64 | JF-1 | SD | 1/2 - 2 | 7/16 | 1 1/16 | 1 1/16 | 1 1/16 | 5.0 |
| 28 | 28H300SD | 4.456 | 4 49/64 | JF-1 | SD | 1/2 - 2 | 7/16 | 1 1/16 | 1 1/16 | 1 1/16 | 6.0 |
| 30 | 30H300SD | 4.775 | 5 1/64 | JF-1 | SD | 1/2 - 2 | 7/16 | 1 1/16 | 1 1/16 | 1 1/16 | 7.2 |
| 32 | 32H300SK | 5.093 | 5 21/64 | JF-1 | SK | 1/2 - 2 5/8 | 3/8 | 1 1/16 | 1 1/16 | 1 1/16 | 8.4 |
| 36 | 36H300SK | 5.730 | 5 57/64 | JF-1 | SK | 1/2 - 2 5/8 | 3/8 | 1 1/16 | 1 1/16 | 1 1/16 | 10.0 |
| 40 | 40H300SK | 6.366 | 6 37/64 | JF-1 | SK | 1/2 - 2 5/8 | 3/8 | 1 1/16 | 1 1/16 | 1 1/16 | 12.2 |
| 44 | 44H300SK | 7.003 | 7 1/4 | JF-1 | SK | 1/2 - 2 5/8 | 3/8 | 1 1/16 | 1 1/16 | 1 1/16 | 15.5 |
| 48 | 48H300SF | 7.639 | 8 1/64 | JF-2 | SF | 1/2 - 2 15/16 | 3/8 | 1 1/16 | 2 1/16 | 1 1/16 | 16.6 |
| 60 | 60H300SF | 9.549 | — | J-2 | SF | 1/2 - 2 15/16 | 3/8 | 1 1/16 | 2 1/16 | 1 1/16 | 17.9 |
| 72 | 72H300SF | 11.459 | — | J-3 | SF | 1/2 - 2 15/16 | 3/16 | 1 1/16 | 2 1/16 | 1 1/16 | 23.0 |
| 84 | 84H300SF | 13.369 | — | J-3 | SF | 1/2 - 2 15/16 | 3/16 | 1 1/16 | 2 1/16 | 1 1/16 | 30.0 |
| 96 | 96H300E | 15.279 | — | H-3 | E | 7/8 - 3 1/2 | 0 | 7/8 | 2 3/8 | 7/8 | 38.0 |
| 120 | 120H300E | 19.099 | — | H-3 | E | 7/8 - 3 1/2 | 0 | 7/8 | 2 3/8 | 7/8 | 51.0 |

Dimensions in inches. Weight in pounds
Pulley O.D. = P.D. - .054"
*Reverse mount only

H300 For Belts 3" Wide (1/2" Pitch) Taper Bushed Type

F = 3 3/8

| No. Teeth | Part Number | Pitch Diam. | Max. FL. O.D. | Type | Bush | Bore Range | Dimensions | | | Wt. Less Bush. |
|-----------|-------------|-------------|---------------|------|------|-------------|------------|-------|--------|----------------|
| | | | | | | | E | L | M | |
| 18 | TB18H300 | 2.865 | 3 3/64 | KF-1 | 1215 | 1/2 - 1 1/4 | 1 5/16 | 1 1/2 | 1 9/16 | 2.6 |
| 20 | TB20H300 | 3.183 | 3 7/16 | KF-1 | 1215 | 1/2 - 1 1/4 | 1 5/16 | 1 1/2 | 1 9/16 | 3.9 |
| 22 | TB22H300 | 3.501 | 3 3/4 | KF-1 | 1615 | 1/2 - 1 1/2 | 1 5/16 | 1 1/2 | 1 9/16 | 4.0 |
| 24 | TB24H300 | 3.820 | 4 1/16 | KF-1 | 2012 | 1/2 - 2 | 1 1/16 | 1 1/4 | 1 1/16 | 4.3 |
| 26 | TB26H300 | 4.138 | 4 25/64 | KF-1 | 2012 | 1/2 - 2 | 1 1/16 | 1 1/4 | 1 1/16 | 5.4 |
| 28 | TB28H300 | 4.456 | 4 49/64 | KF-1 | 2012 | 1/2 - 2 | 1 1/16 | 1 1/4 | 1 1/16 | 6.8 |
| 30 | TB30H300 | 4.775 | 5 1/64 | KF-1 | 2012 | 1/2 - 2 | 1 1/16 | 1 1/4 | 1 1/16 | 7.5 |
| 32 | TB32H300 | 5.093 | 5 21/64 | KF-1 | 2517 | 1/2 - 2 1/2 | 1 3/16 | 1 3/4 | 1 9/16 | 7.4 |
| 40 | TB40H300 | 6.366 | 6 37/64 | KF-1 | 2517 | 1/2 - 2 1/2 | 1 3/16 | 1 3/4 | 1 9/16 | 12.1 |
| 48 | TB48H300 | 7.639 | 8 1/64 | KF-1 | 3020 | 7/8 - 3 | 1 1/16 | 2 | 1 1/16 | 16.3 |
| 60 | TB60H300 | 9.549 | — | A-2 | 3020 | 7/8 - 3 | 3/16 | 2 | 3/16 | 17.3 |

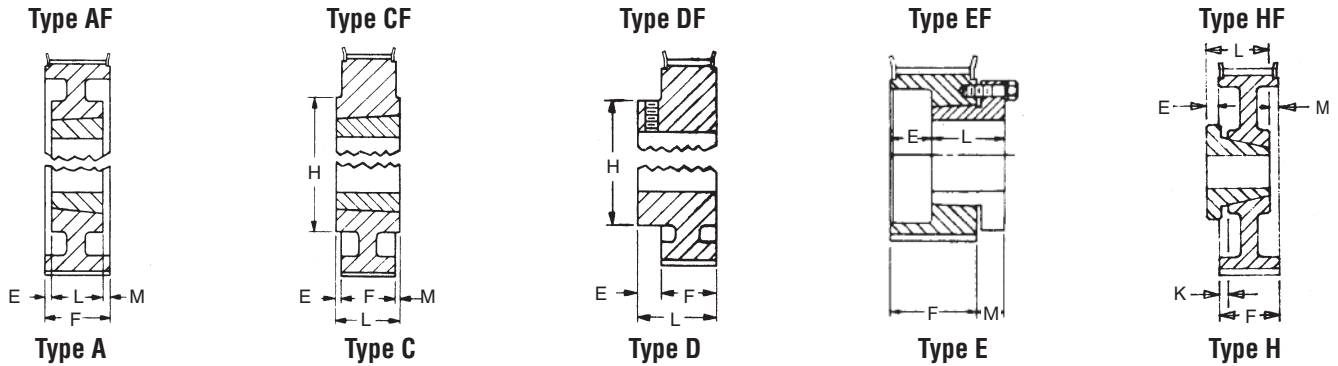
Dimensions in inches. Weight in pounds
Pulley O.D. = P.D. - .054"

PULLEYS

XH

7/8" Pitch

Stock Timing Pulleys

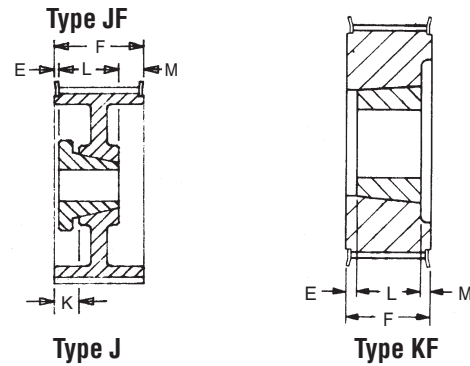


Dash 1 = Solid Style

Dash 2 = Web Style

Dash 3 = Arm/Spoke Style

"F" in type description indicates flanged.



XH — 7/8" Pitch

XH200 For Belts 2" Wide (7/8" Pitch)
Minimum Plain Bore

F = 2 9/16

| No. Teeth | Part Number | Pitch Diam. | Max. FL O.D. | Type | Bore | | Dimensions | | | Wt. |
|-----------|-------------|-------------|--------------|------|------|--------|------------|--------|--------|------|
| | | | | | Stk. | Max. | E | H | L | |
| 18 | 18XH200 | 5.013 | 5 57/64 | DF-1 | 1 | 2 9/16 | 7/8 | 3 1/16 | 3 3/16 | 12.0 |
| 20 | 20XH200 | 5.570 | 6 6/64 | DF-1 | 1 | 3 1/4 | 1 | 4 3/8 | 3 3/16 | 16.0 |

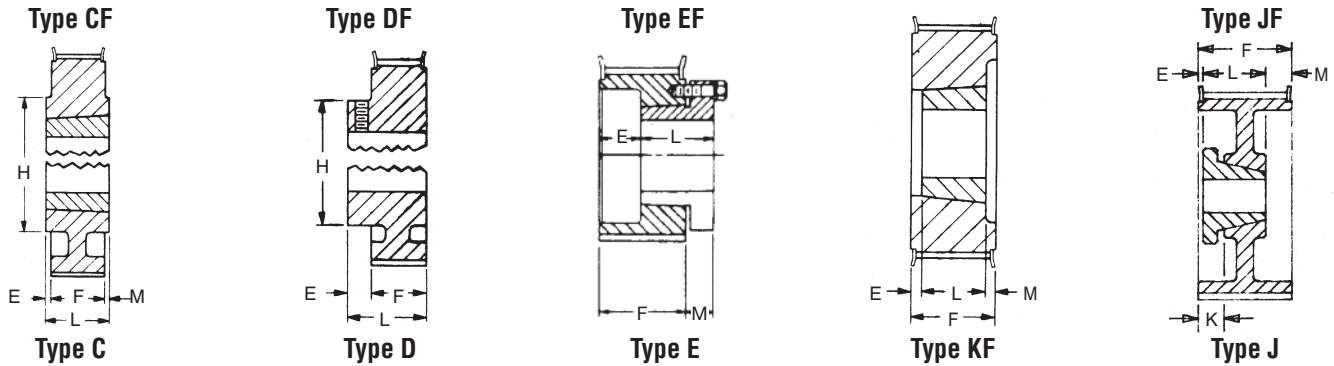
Dimensions in inches. Weight in pounds
Pulley O.D. = P.D. - .11"

XH200 For Belts 2" Wide (7/8" Pitch)
Taper Bushed Type

F = 2 9/16

| No. Teeth | Part Number | Pitch Diam. | Max. FL O.D. | Type | Bush | Bore Range | Dimensions | | | | Wt. Less Bush. |
|-----------|-------------|-------------|--------------|------|------|----------------|------------|-------|-------|-------|----------------|
| | | | | | | | E | H | L | M | |
| 22 | TB22XH200 | 6.127 | 6 19/32 | KF-1 | 2517 | 1/2 - 2 1/2 | 1 1/16 | — | 1 3/4 | — | 10.6 |
| 24 | TB24XH200 | 6.685 | 7 7/32 | KF-1 | 3020 | 3/8 - 3 | 9/16 | — | 2 | — | 11.3 |
| 26 | TB26XH200 | 7.241 | 7 29/32 | KF-1 | 3020 | 7/8 - 3 | 9/16 | — | 2 | — | 13.3 |
| 28 | TB28XH200 | 7.799 | 8 1/64 | CF-1 | 3535 | 1 1/16 - 3 1/2 | 1 1/16 | 6 1/2 | 3 3/8 | — | 13.5 |
| 30 | TB30XH200 | 8.356 | 9 3/32 | CF-1 | 3535 | 1 1/16 - 3 1/2 | 1 1/16 | 6 1/2 | 3 3/8 | — | 18.5 |
| 32 | TB32XH200 | 8.913 | 9 39/64 | CF-1 | 3535 | 1 1/16 - 3 1/2 | 1 1/16 | 6 1/2 | 3 1/2 | — | 21.5 |
| 40 | TB40XH200 | 11.141 | 11 51/64 | CF-1 | 4040 | 1 1/16 - 4 | 1 1/16 | 8 1/2 | 4 | — | 37.5 |
| 48 | TB48XH200 | 13.369 | — | C-2 | 4040 | 1 1/16 - 4 | 1 1/32 | 8 1/2 | 4 | 23/32 | 44.5 |
| 60 | TB60XH200 | 16.711 | — | C-3 | 4040 | 1 1/16 - 4 | 23/32 | 8 1/2 | 4 | 23/32 | 47.0 |

Dimensions in inches. Weight in pounds
Pulley O.D. = P.D. - .11"



XH300 For Belts 3" Wide (7/8" Pitch) Minimum Plain Bore

F = 3 5/8

| No. Teeth | Part Number | Pitch Diam. | Max. FL O.D. | Type | Bore | | Dimensions | | | | Wt. |
|-----------|-------------|-------------|--------------|------|------|-------|------------|--------|-------|------|------|
| | | | | | Stk. | Max. | E | H | L | M | |
| 18 | 18XH300 | 5.013 | 5 3/64 | DF-1 | 1 | 2 5/8 | 7/8 | 3 1/16 | 4 1/2 | 1* | 15.0 |
| 20 | 20XH300 | 5.570 | 6 1/64 | DF-1 | 1 | 3 1/4 | 1 | 4 1/8 | 4 5/8 | 3/4* | 19.0 |

*Counterbore "M" depth on flush side.

XH300 For Belts 3" Wide (7/8" Pitch) Taper Bushed Type

F = 3 5/8

| No. Teeth | Part Number | Pitch Diam. | Max. FL O.D. | Bore Type | Bush | Bore Range | Dimensions | | | | Wt. |
|-----------|-------------|-------------|--------------|-----------|------|----------------|------------|-------|-------|--------|------|
| | | | | | | | E | H | L | M | |
| 22 | TB22XH300 | 6.127 | 6 1/32 | KF-1 | 2517 | 1/2 - 2 1/2 | 1 9/16 | — | 1 1/4 | 1 5/16 | 13.6 |
| 24 | TB24XH300 | 6.685 | 7 1/32 | KF-1 | 3020 | 7/8 - 3 | 1 9/16 | — | 2 | 1 3/16 | 15.3 |
| 26 | TB26XH300 | 7.241 | 7 29/32 | KF-1 | 3020 | 1 1/8 - 3 | 1 9/16 | — | 2 | 1 3/16 | 17.3 |
| 28 | TB28XH300 | 7.799 | 8 1/64 | KF-1 | 3535 | 1 3/16 - 3 1/2 | 7/8 | — | 3 3/8 | — | 17.5 |
| 30 | TB30XH300 | 8.356 | 9 1/32 | KF-1 | 3535 | 1 1/16 - 3 1/2 | 7/8 | — | 3 3/8 | — | 22.5 |
| 32 | TB32XH300 | 8.913 | 9 33/64 | KF-1 | 3535 | 1 1/16 - 3 1/2 | 7/8 | — | 3 1/2 | — | 26.5 |
| 40 | TB40XH300 | 11.141 | 11 9/64 | CF-1 | 4040 | 1 1/16 - 4 | 7/8 | 7 3/4 | 4 | — | 43.5 |
| 48 | TB48XH300 | 13.369 | — | C-2 | 4040 | 1 1/16 - 4 | 3/16 | 8 1/2 | 4 | 3/16 | 51.5 |
| 60 | TB60XH300 | 16.711 | — | C-3 | 4040 | 1 1/16 - 4 | 3/16 | 8 1/2 | 4 | 3/16 | 55.5 |

XH400 For Belts 4" Wide (7/8" Pitch) QD Type

F = 4 1/16

| No. Teeth | Part Number | Pitch Diam. | Max. FL O.D. | Type | Bush | Bore Range | Dimensions | | | | Wt. |
|-----------|-------------|-------------|--------------|------|------|----------------|------------|---------|--------|---------|-------|
| | | | | | | | E | K | L | M | |
| 20 | 20XH400SK | 5.570 | 6 3/32 | JF-1 | SK | 1/2 - 2 1/2 | 1/2 | 1 3/16 | 1 1/16 | 2 1/4 | 12.4 |
| 22 | 22XH400SK | 6.127 | 6 21/32 | JF-1 | SK | 1/2 - 2 1/2 | 1/2 | 1 1/16 | 1 1/16 | 2 1/4 | 16.7 |
| 24 | 24XH400SF | 6.685 | 7 1/32 | JF-1 | SF | 1/2 - 2 1/8 | 1/2 | 1 1/16 | 2 1/16 | 2 3/16 | 19.2 |
| 26 | 26XH400SF | 7.242 | 7 29/32 | JF-1 | SF | 1/2 - 2 1/8 | 1/2 | 1 1/16 | 2 1/16 | 2 3/16 | 23.0 |
| 28 | 28XH400E | 7.799 | 8 1/32 | JF-1 | E | 7/8 - 3 1/2 | 2 1/32 | 1 17/32 | 2 5/8 | 1 13/32 | 24.0 |
| 30 | 30XH400E | 8.356 | 8 39/64 | JF-1 | E | 7/8 - 3 1/2 | 2 1/32 | 1 17/32 | 2 5/8 | 1 13/32 | 30.7 |
| 32 | 32XH400E | 8.913 | 9 1/16 | JF-1 | E | 7/8 - 3 1/2 | 2 1/32 | 1 17/32 | 2 5/8 | 1 13/32 | 34.0 |
| 40 | 40XH400F | 11.141 | 11 11/16 | HF-2 | F | 1 - 3 19/16 | 3/32 | 1 3/32 | 3 3/8 | 1 1/2 | 49.0 |
| 48 | 48XH400J | 13.369 | — | H-3 | J | 1 1/16 - 4 1/2 | 3/16 | 1 | 4 1/2 | 7/8 | 67.3 |
| 60 | 60XH400J | 16.711 | — | H-3 | J | 1 1/16 - 4 1/2 | 7/16 | 3/4 | 4 1/2 | 5/8 | 85.0 |
| 72 | 72XH400J | 20.054 | — | H-3 | J | 1 1/16 - 4 1/2 | 7/16 | 3/4 | 4 1/2 | 5/8 | 108.0 |
| 84 | 84XH400J | 23.396 | — | H-3 | J | 1 1/16 - 4 1/2 | 7/16 | 3/4 | 4 1/2 | 5/8 | 119.0 |
| 96 | 96XH400J | 26.738 | — | H-3 | J | 1 1/16 - 4 1/2 | 7/16 | 3/4 | 4 1/2 | 5/8 | 187.5 |
| 120 | 120XH400J | 33.423 | — | H-3 | J | 1 1/16 - 4 1/2 | 7/16 | 3/4 | 4 1/2 | 5/8 | 187.5 |

Dimensions in inches. Weight in pounds
Pulley O.D. = P.D. - .11"

Timing Pulley Diameters



XL - 1/8" Pitch

| No. Teeth | Diameter | | No. Teeth | Diameter | | No. Teeth | Diameter | | No. Teeth | Diameter | | No. Teeth | Diameter | |
|-----------|----------|-------|-----------|----------|-------|-----------|----------|-------|-----------|----------|-------|-----------|----------|-------|
| | P.D. | O.D. | | P.D. | O.D. | | P.D. | O.D. | | P.D. | O.D. | | P.D. | O.D. |
| 10XL | .637 | .617 | 33XL | 2.101 | 2.081 | 55XL | 3.501 | 3.481 | 77XL | 4.902 | 4.882 | 99XL | 6.303 | 6.283 |
| 11XL | .700 | .680 | 34XL | 2.165 | 2.145 | 56XL | 3.565 | 3.545 | 78XL | 4.966 | 4.946 | 100XL | 6.346 | 6.326 |
| 12XL | .764 | .744 | 35XL | 2.228 | 2.208 | 57XL | 3.629 | 3.609 | 79XL | 5.029 | 5.009 | 101XL | 6.430 | 6.410 |
| 13XL | .828 | .808 | 36XL | 2.292 | 2.272 | 58XL | 3.692 | 3.672 | 80XL | 5.093 | 5.073 | 102XL | 6.494 | 6.474 |
| 14XL | .891 | .871 | 37XL | 2.355 | 2.335 | 59XL | 3.756 | 3.736 | 81XL | 5.157 | 5.137 | 103XL | 6.557 | 6.537 |
| 15XL | .955 | .935 | 38XL | 2.419 | 2.399 | 60XL | 3.820 | 3.800 | 82XL | 5.220 | 5.200 | 104XL | 6.621 | 6.601 |
| 16XL | 1.019 | .999 | 39XL | 2.483 | 2.463 | 61XL | 3.883 | 3.863 | 83XL | 5.284 | 5.264 | 105XL | 6.685 | 6.665 |
| 17XL | 1.082 | 1.062 | 40XL | 2.546 | 2.526 | 62XL | 3.947 | 3.927 | 84XL | 5.348 | 5.328 | 106XL | 6.748 | 6.728 |
| 18XL | 1.146 | 1.126 | 41XL | 2.610 | 2.590 | 63XL | 4.011 | 3.991 | 85XL | 5.411 | 5.391 | 107XL | 6.812 | 6.792 |
| 19XL | 1.210 | 1.190 | 42XL | 2.674 | 2.654 | 64XL | 4.074 | 4.054 | 86XL | 5.475 | 5.455 | 108XL | 6.875 | 6.855 |
| 20XL | 1.273 | 1.253 | 43XL | 2.737 | 2.717 | 65XL | 4.138 | 4.118 | 87XL | 5.539 | 5.519 | 109XL | 6.939 | 6.919 |
| 21XL | 1.337 | 1.317 | 44XL | 2.801 | 2.781 | 66XL | 4.202 | 4.182 | 88XL | 5.602 | 5.582 | 110XL | 7.003 | 6.983 |
| 22XL | 1.401 | 1.381 | 45XL | 2.865 | 2.845 | 67XL | 4.265 | 4.245 | 89XL | 5.666 | 5.646 | 111XL | 7.066 | 7.046 |
| 23XL | 1.464 | 1.444 | 46XL | 2.928 | 2.908 | 68XL | 4.329 | 4.309 | 90XL | 5.730 | 5.710 | 112XL | 7.130 | 7.110 |
| 24XL | 1.528 | 1.508 | 47XL | 2.992 | 2.972 | 69XL | 4.393 | 4.373 | 91XL | 5.793 | 5.773 | 113XL | 7.194 | 7.174 |
| 25XL | 1.592 | 1.572 | 48XL | 3.056 | 3.036 | 70XL | 4.456 | 4.436 | 92XL | 5.857 | 5.837 | 114XL | 7.257 | 7.237 |
| 26XL | 1.655 | 1.635 | 49XL | 3.119 | 3.099 | 71XL | 4.520 | 4.500 | 93XL | 5.921 | 5.901 | 115XL | 7.321 | 7.301 |
| 27XL | 1.719 | 1.699 | 50XL | 3.183 | 3.163 | 72XL | 4.584 | 4.564 | 94XL | 5.984 | 5.964 | 116XL | 7.385 | 7.365 |
| 28XL | 1.783 | 1.763 | 51XL | 3.247 | 3.227 | 73XL | 4.647 | 4.627 | 95XL | 6.048 | 6.028 | 117XL | 7.448 | 7.428 |
| 29XL | 1.846 | 1.826 | 52XL | 3.310 | 3.290 | 74XL | 4.711 | 4.691 | 96XL | 6.112 | 6.092 | 118XL | 7.512 | 7.492 |
| 30XL | 1.910 | 1.890 | 53XL | 3.374 | 3.354 | 75XL | 4.775 | 4.755 | 97XL | 6.175 | 6.155 | 119XL | 7.576 | 7.556 |
| 31XL | 1.974 | 1.954 | 54XL | 3.438 | 3.418 | 76XL | 4.838 | 4.818 | 98XL | 6.239 | 6.219 | 120XL | 7.639 | 7.619 |
| 32XL | 2.037 | 2.017 | | | | | | | | | | | | |

L - 3/8" Pitch

| No. Teeth | Diameter | | No. Teeth | Diameter | | No. Teeth | Diameter | | No. Teeth | Diameter | | No. Teeth | Diameter | |
|-----------|----------|-------|-----------|----------|-------|-----------|----------|-------|-----------|----------|--------|-----------|----------|--------|
| | P.D. | O.D. | | P.D. | O.D. | | P.D. | O.D. | | P.D. | O.D. | | P.D. | O.D. |
| 10L | 1.194 | 1.164 | 33L | 3.939 | 3.909 | 56L | 6.685 | 6.655 | 79L | 9.430 | 9.400 | 102L | 12.175 | 12.145 |
| 11L | 1.313 | 1.283 | 34L | 4.058 | 4.028 | 57L | 6.804 | 6.774 | 80L | 9.549 | 9.519 | 103L | 12.295 | 12.265 |
| 12L | 1.432 | 1.402 | 35L | 4.178 | 4.148 | 58L | 6.923 | 6.893 | 81L | 9.669 | 9.639 | 104L | 12.414 | 12.384 |
| 13L | 1.552 | 1.522 | 36L | 4.297 | 4.267 | 59L | 7.043 | 7.013 | 82L | 9.788 | 9.758 | 105L | 12.533 | 12.503 |
| 14L | 1.671 | 1.641 | 37L | 4.417 | 4.387 | 60L | 7.162 | 7.132 | 83L | 9.907 | 9.877 | 106L | 12.653 | 12.623 |
| 15L | 1.790 | 1.760 | 38L | 4.536 | 4.506 | 61L | 7.281 | 7.251 | 84L | 10.027 | 9.997 | 107L | 12.772 | 12.742 |
| 16L | 1.910 | 1.880 | 39L | 4.655 | 4.625 | 62L | 7.401 | 7.371 | 85L | 10.147 | 10.117 | 108L | 12.892 | 12.862 |
| 17L | 2.029 | 1.999 | 40L | 4.775 | 4.745 | 63L | 7.520 | 7.490 | 86L | 10.265 | 10.235 | 109L | 13.011 | 12.981 |
| 18L | 2.149 | 2.119 | 41L | 4.894 | 4.864 | 64L | 7.639 | 7.609 | 87L | 10.385 | 10.355 | 110L | 13.130 | 13.100 |
| 19L | 2.268 | 2.238 | 42L | 5.013 | 4.983 | 65L | 7.759 | 7.729 | 88L | 10.504 | 10.474 | 111L | 13.250 | 13.220 |
| 20L | 2.387 | 2.357 | 43L | 5.133 | 5.103 | 66L | 7.878 | 7.848 | 89L | 10.624 | 10.594 | 112L | 13.369 | 13.339 |
| 21L | 2.507 | 2.477 | 44L | 5.252 | 5.222 | 67L | 7.998 | 7.968 | 90L | 10.743 | 10.713 | 113L | 13.488 | 13.458 |
| 22L | 2.626 | 2.596 | 45L | 5.371 | 5.341 | 68L | 8.117 | 8.087 | 91L | 10.862 | 10.832 | 114L | 13.608 | 13.578 |
| 23L | 2.745 | 2.715 | 46L | 5.491 | 5.461 | 69L | 8.236 | 8.206 | 92L | 10.982 | 10.952 | 115L | 13.727 | 13.697 |
| 24L | 2.865 | 2.835 | 47L | 5.610 | 5.580 | 70L | 8.356 | 8.326 | 93L | 11.101 | 11.071 | 116L | 13.846 | 13.816 |
| 25L | 2.984 | 2.954 | 48L | 5.730 | 5.700 | 71L | 8.475 | 8.445 | 94L | 11.220 | 11.190 | 117L | 13.966 | 13.936 |
| 26L | 3.104 | 3.074 | 49L | 5.849 | 5.819 | 72L | 8.594 | 8.564 | 95L | 11.340 | 11.310 | 118L | 14.085 | 14.055 |
| 27L | 3.223 | 3.193 | 50L | 5.968 | 5.938 | 73L | 8.714 | 8.684 | 96L | 11.459 | 11.429 | 119L | 14.205 | 14.175 |
| 28L | 3.342 | 3.312 | 51L | 6.088 | 6.058 | 74L | 8.833 | 8.803 | 97L | 11.579 | 11.549 | 120L | 14.324 | 14.294 |
| 29L | 3.462 | 3.432 | 52L | 6.207 | 6.177 | 75L | 8.952 | 8.922 | 98L | 11.698 | 11.668 | 130L | 15.518 | 15.488 |
| 30L | 3.581 | 3.551 | 53L | 6.326 | 6.296 | 76L | 9.072 | 9.042 | 99L | 11.817 | 11.787 | 140L | 16.711 | 16.681 |
| 31L | 3.700 | 3.670 | 54L | 6.446 | 6.416 | 77L | 9.191 | 9.161 | 100 | 11.937 | 11.907 | 150L | 17.905 | 17.875 |
| 32L | 3.820 | 3.790 | 55L | 6.565 | 6.535 | 78L | 9.311 | 9.261 | 101L | 12.056 | 12.026 | | | |

H - 1/2" Pitch

| No. Teeth | Diameter | | No. Teeth | Diameter | | No. Teeth | Diameter | | No. Teeth | Diameter | | No. Teeth | Diameter | |
|-----------|----------|-------|-----------|----------|-------|-----------|----------|--------|-----------|----------|--------|-----------|----------|--------|
| | P.D. | O.D. | | P.D. | O.D. | | P.D. | O.D. | | P.D. | O.D. | | P.D. | O.D. |
| 15H | 2.387 | 2.333 | 35H | 5.570 | 5.516 | 55H | 8.754 | 8.700 | 75H | 11.937 | 11.883 | 95H | 15.120 | 15.066 |
| 16H | 2.546 | 2.492 | 36H | 5.730 | 5.676 | 56H | 8.913 | 8.859 | 76H | 12.096 | 12.042 | 96H | 15.225 | 15.171 |
| 17H | 2.706 | 2.652 | 37H | 5.889 | 5.835 | 57H | 9.072 | 9.018 | 77H | 12.255 | 12.201 | 97H | 15.438 | 15.384 |
| 18H | 2.865 | 2.811 | 38H | 6.048 | 5.994 | 58H | 9.231 | 9.177 | 78H | 12.414 | 12.360 | 98H | 15.597 | 15.543 |
| 19H | 3.024 | 2.970 | 39H | 6.207 | 6.153 | 59H | 9.390 | 9.336 | 79H | 12.573 | 12.519 | 99H | 15.756 | 15.702 |
| 20H | 3.183 | 3.129 | 40H | 6.366 | 6.312 | 60H | 9.549 | 9.495 | 80H | 12.732 | 12.678 | 100H | 15.915 | 15.861 |
| 21H | 3.342 | 3.288 | 41H | 6.525 | 6.471 | 61H | 9.708 | 9.654 | 81H | 12.892 | 12.848 | 102H | 16.234 | 16.180 |
| 22H | 3.501 | 3.447 | 42H | 6.685 | 6.631 | 62H | 9.868 | 9.814 | 82H | 13.051 | 12.997 | 104H | 16.552 | 16.498 |
| 23H | 3.661 | 3.607 | 43H | 6.844 | 6.790 | 63H | 10.027 | 9.973 | 83H | 13.210 | 13.156 | 106H | 16.870 | 16.816 |
| 24H | 3.820 | 3.766 | 44H | 7.003 | 6.949 | 64H | 10.186 | 10.132 | 84H | 13.369 | 13.315 | 108H | 17.189 | 17.135 |
| 25H | 3.979 | 3.925 | 45H | 7.162 | 7.108 | 65H | 10.345 | 10.291 | 85H | 13.528 | 13.474 | 110H | 17.507 | 17.453 |
| 26H | 4.138 | 4.084 | 46H | 7.321 | 7.267 | 66H | 10.504 | 10.450 | 86H | 13.687 | 13.633 | 115H | 18.303 | 18.249 |
| 27H | 4.297 | 4.243 | 47H | 7.480 | 7.426 | 67H | 10.663 | 10.609 | 87H | 13.846 | 13.792 | 120H | 19.099 | 19.045 |
| 28H | 4.456 | 4.402 | 48H | 7.639 | 7.585 | 68H | 10.823 | 10.769 | 88H | 14.005 | 13.952 | 125H | 19.894 | 19.840 |
| 29H | 4.615 | 4.561 | 49H | 7.799 | 7.745 | 69H | 10.982 | 10.928 | 89H | 14.165 | 14.111 | 130H | 20.690 | 20.636 |
| 30H | 4.775 | 4.721 | 50H | 7.958 | 7.904 | 70H | 11.141 | 11.087 | 90H | 14.324 | 14.270 | 135H | 21.486 | 21.432 |
| 31H | 4.934 | 4.880 | 51H | 8.117 | 8.063 | 71H | 11.300 | 11.246 | 91H | 14.483 | 14.429 | 140H | 22.282 | 22.228 |
| 32H | 5.093 | 5.039 | 52H | 8.276 | 8.222 | 72H | 11.459 | 11.405 | 92H | 14.642 | 14.588 | 145H | 23.077 | 23.023 |
| 33H | 5.252 | 5.198 | 53H | 8.435 | 8.381 | 73H | 11.618 | 11.564 | 93H | 14.801 | 14.747 | 150H | 23.873 | 23.819 |
| 34H | 5.411 | 5.357 | 54H | 8.594 | 8.540 | 74H | 11.777 | 11.723 | 94H | 14.961 | 14.907 | 156H | 24.828 | 24.774 |

XH - 7/8" Pitch

| No. Teeth | Diameter | | No. Teeth | Diameter | | No. Teeth | Diameter | | No. Teeth | Diameter | | No. Teeth | Diameter | |
|-----------|----------|--------|-----------|----------|--------|-----------|----------|--------|-----------|----------|--------|-----------|----------|--------|
| | P.D. | O.D. | | P.D. | O.D. | | P.D. | O.D. | | P.D. | O.D. | | P.D. | O.D. |
| 18XH | 5.013 | 4.903 | 45XH | 12.533 | 12.423 | 70XH | 19.496 | 19.386 | 95XH | 26.460 | 26.350 | 120XH | 33.423 | 33.313 |
| 20XH | 5.570 | 5.460 | 46XH | 12.812 | 12.702 | 71XH | 19.776 | 19.666 | 96XH | 26.738 | 26.628 | 122XH | 33.980 | 33.870 |
| 22XH | 6.127 | 6.017 | 47XH | 13.091 | 12.981 | 72XH | 20.054 | 19.944 | 97XH | 27.017 | 26.907 | 124XH | 34.537 | 34.427 |
| 23XH | 6.406 | 6.296 | 48XH | 13.369 | 13.259 | 73XH | 20.332 | 20.222 | 98XH | 27.295 | 27.185 | 126XH | 35.094 | 34.984 |
| 24XH | 6.685 | 6.575 | 49XH | 13.648 | 13.538 | 74XH | 20.611 | 20.501 | 99XH | 27.574 | 27.464 | 128XH | 35.651 | 35.541 |
| 25XH | 6.963 | 6.853 | 50XH | 13.926 | 13.816 | 75XH | 20.889 | 20.779 | 100XH | 27.852 | 27.742 | 130XH | 36.208 | 36.098 |
| 26XH | 7.242 | 7.132 | 51XH | 14.205 | 14.095 | 76XH | 21.168 | 21.058 | 101XH | 28.131 | 28.021 | 132XH | 36.765 | 36.655 |
| 27XH | 7.520 | 7.410 | 52XH | 14.483 | 14.373 | 77XH | 21.446 | 21.336 | 102XH | 28.409 | 28.299 | 134XH | 37.322 | 37.212 |
| 28XH | 7.799 | 7.689 | 53XH | 14.762 | 14.652 | 78XH | 21.725 | 21.615 | 103XH | 28.688 | 28.578 | 136XH | 37.879 | 37.769 |
| 29XH | 8.077 | 7.967 | 54XH | 15.140 | 14.930 | 79XH | 21.003 | 21.893 | 104XH | 28.966 | 28.856 | 138XH | 38.436 | 38.326 |
| 30XH | 8.356 | 8.246 | 55XH | 15.319 | 15.209 | 80XH | 22.282 | 22.172 | 105XH | 29.245 | 29.135 | 140XH | 38.993 | 38.883 |
| 31XH | 8.634 | 8.524 | 56XH | 15.597 | 15.487 | 81XH | 22.560 | 22.450 | 106XH | 29.523 | 29.413 | 142XH | 39.550 | 39.440 |
| 32XH | 8.913 | 8.803 | 57XH | 15.876 | 15.766 | 82XH | 22.839 | 22.729 | 107XH | 29.802 | 29.692 | 144XH | 40.107 | 39.997 |
| 33XH | 9.191 | 9.081 | 58XH | 16.154 | 16.044 | 83XH | 23.118 | 23.008 | 108XH | 30.080 | 29.970 | 146XH | 40.664 | 40.554 |
| 34XH | 9.470 | 9.360 | 59XH | 16.433 | 16.323 | 84XH | 23.396 | 23.286 | 109XH | 30.359 | 30.249 | 150XH | 41.778 | 41.668 |
| 35XH | 9.748 | 9.638 | 60XH | 16.711 | 16.601 | 85XH | 23.674 | 23.564 | 110XH | 30.637 | 30.527 | | | |
| 36XH | 10.027 | 9.917 | 61XH | 16.990 | 16.880 | 86XH | 23.953 | 23.843 | 111XH | 30.916 | 30.806 | | | |
| 37XH | 10.305 | 10.195 | 62XH | 17.268 | 17.158 | 87XH | 24.231 | 24.121 | 112XH | 31.194 | 31.084 | | | |
| 38XH | 10.584 | 10.474 | 63XH | 17.547 | 17.437 | 88XH | 24.510 | 24.400 | 113XH | 31.473 | 31.363 | | | |
| 39XH | 10.862 | 10.752 | 64XH | 17.825 | 17.715 | 89XH | 24.788 | 24.678 | 114XH | 31.751 | 31.641 | | | |
| 40XH | 11.141 | 11.031 | 65XH | 18.104 | 17.994 | 90XH | 25.067 | 24.957 | 115XH | 32.030 | 31.920 | | | |
| 41XH | 11.419 | 11.309 | 66XH | 18.382 | 18.272 | 91XH | 25.345 | 25.235 | 116XH | 32.308 | 32.198 | | | |
| 42XH | 11.698 | 11.588 | 67XH | 18.661 | 18.551 | 92XH | 25.624 | 25.514 | 117XH | 32.587 | 32.477 | | | |
| 43XH | 11.976 | 11.866 | 68XH | 18.939 | 18.829 | 93XH | 25.902 | 25.792 | 118XH | 32.865 | 32.755 | | | |
| 44XH | 12.255 | 12.145 | 69XH | 19.218 | 19.108 | 94XH | 26.181 | 26.071 | 119XH | 33.145 | 33.035 | | | |

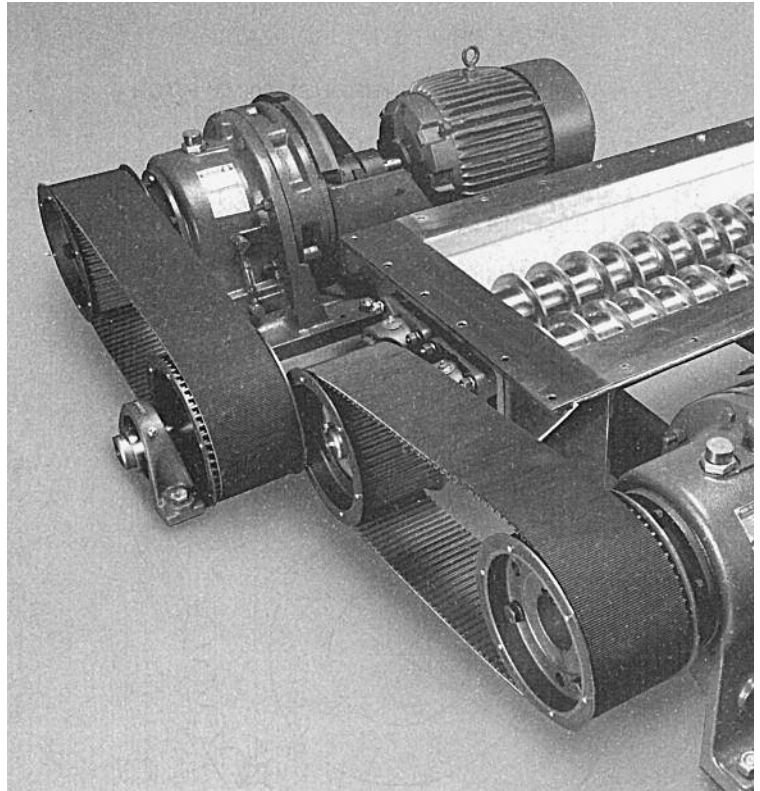
Outside Diameter Tolerances

| PULLEY DIA. | O.D. TOL. | PULLEY DIA. | O.D. TOL. | PULLEY DIA. | O.D. TOL. | PULLEY DIA. | O.D. TOL. |
|-------------|----------------|-------------|----------------|--------------|----------------|-------------|----------------|
| 0-1" | +0.02 -0.00 | 2.001" -4" | +0.04 -0.00 | 7.001" -12" | +0.06 -0.00 | 20.001 UP | +0.08 -0.00 |
| 1.000"-2" | +0.03 -0.00 | 4.001" -7" | +0.05 -0.00 | 12.001" -20" | +0.07 -0.00 | | |

STOCK HTS SPROCKETS

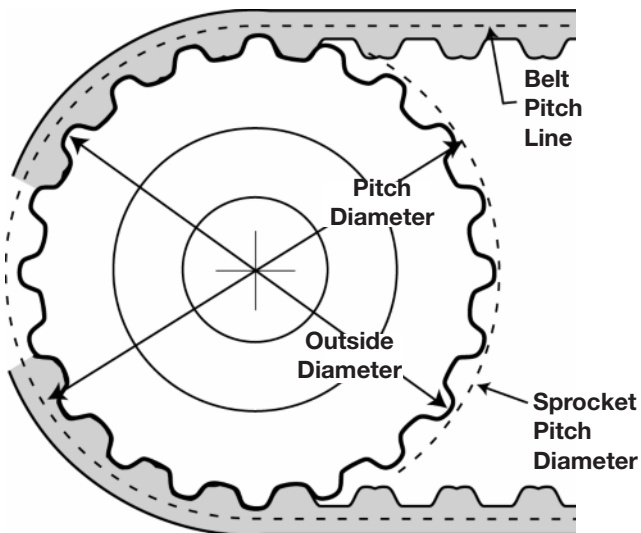
FEATURES OF HTS DRIVES

- Positive Slip Proof Engagement
- Wide Speed Range
- Constant Driven Speeds
- Wide Range of Load Capabilities
- No Lubrication
- High Tension Eliminated
- High Mechanical Efficiency
- Economical Operation



HTS HIGH TORQUE SPROCKETS

- RPP[®] Tooth Profile
- Available in 5mm, 8mm, 14mm & 20mm pitch
- Stocked in QD and Taper Bush Interchangeable Bushing Styles, as well as Stock Bore.



PULLEYS

HTS BELT DRIVE SPECIFICATIONS

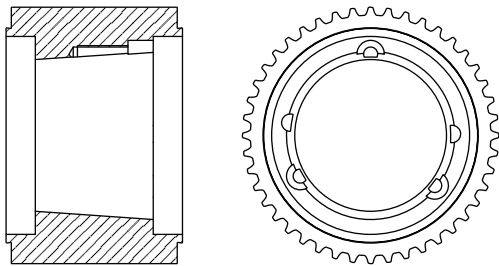
Martin HTS sprockets are manufactured in various sizes, dimensions and capacities to meet industry requirements. This includes a wide range of loads, speeds, and demanding applications.

The following is an explanation of dimensional nomenclature for *Martin* HTS sprockets as well as belts currently available that will operate efficiently with the *Martin* tooth form.

The HTS sprocket has three primary dimensions:
(Number of Teeth/Pitch/Width)

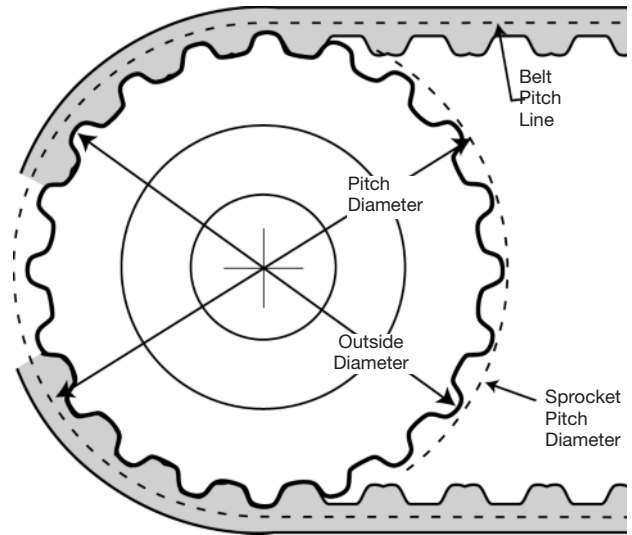
The pitch is the distance in millimeters from the center of one tooth groove to the other and is measured on the sprocket's pitch circle. The pitch circle of the sprocket matches with the pitch line of the belt when in mesh. The sprocket pitch diameter is always greater than its outer diameter.

Note: Belts must be run with sprockets of the same pitch.

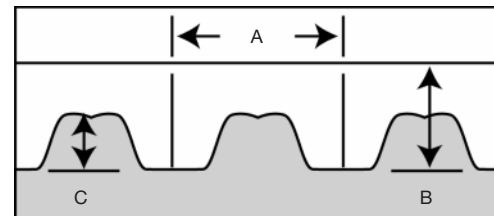


As with the sprocket specifications, belt pitch is the measure between two adjacent tooth centers which is measured on the pitch line of the belt.

Note: The theoretical pitch line is within the tensile member. Belt length is the total length (circumference) in millimeters as could be measured along the pitch line.



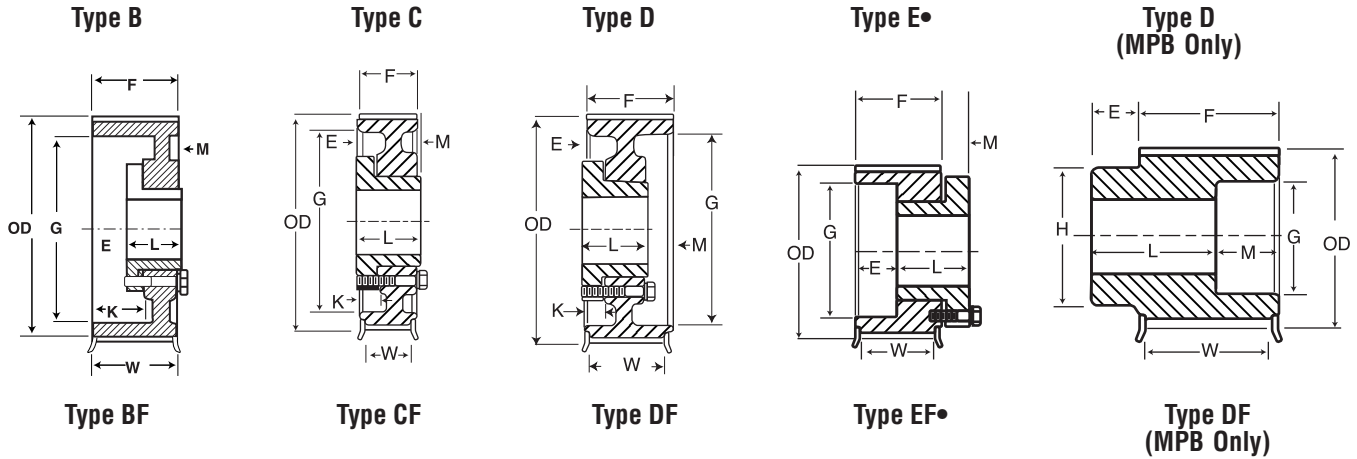
| | | | |
|------------|------------------------|-------------------------|-----------------------|
| P | 30 | 14M | 55 - SK |
| | Number of Teeth | | Bushing or MPB |
| HTS | Belt Pitch | Belt Width | |
| | 5mm | 15, 25 | |
| | 8mm | 20, 30, 50, 85 | |
| | 14mm | 40, 55, 85, 115, 170 | |
| | 20mm | 115, 170, 230, 290, 340 | |



- “P” HTS Sprockets (RPP® Tooth Profile) - Run with RPP®, RPP® Plus®, Hawk Pd™, & HTD® belts.
- “P” HTS Sprockets are designed to run with fiberglass corded belts.
 - Available in 5mm, 8mm, 14mm, 20mm pitches
 - Belt widths: 15mm, 25mm (5mm pitch)
 - 20mm, 30mm, 50mm, 85mm (8mm pitch)
 - 40mm, 55mm, 85mm, 115mm, 170mm (14mm pitch)
 - 115mm, 170mm, 230mm, 290mm, 340mm (20mm pitch)

| Belt Pitch | A | B | C |
|------------|-----------------|-------------------|-------------------|
| 5MM | 5MM .197IN. | 3.81MM .150IN. | 2.08MM .082IN. |
| 8MM | 8MM .315IN. | 6MM .236IN. | 3.4MM .133IN. |
| 14MM | 14MM .552IN. | 10MM .394IN. | 6.0MM .237IN. |
| 20MM | 20MM .784IN. | 13.2MM .520IN. | 8.4MM .330IN. |

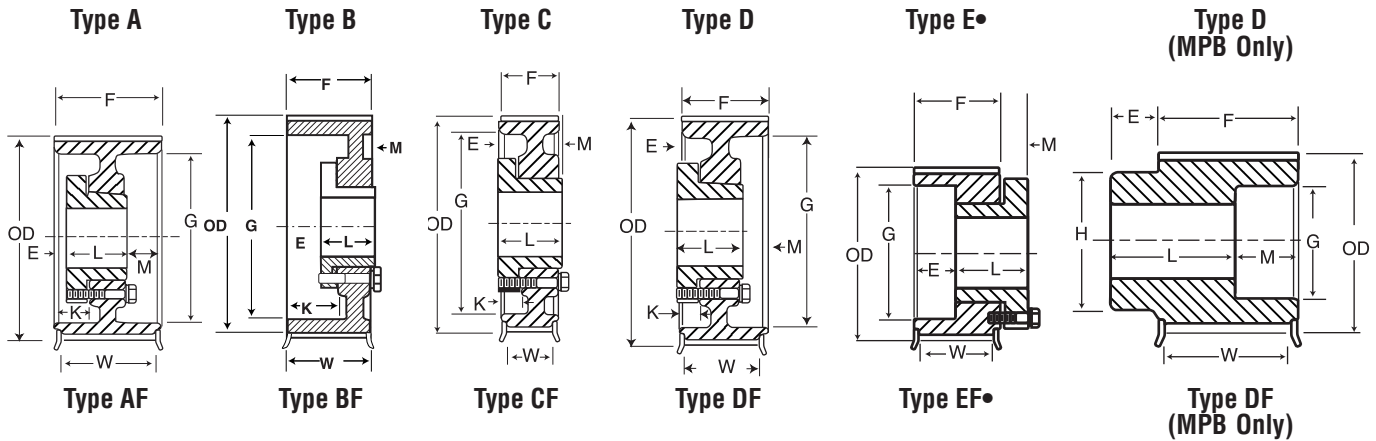
High Torque Sprockets 5mm



| MPB 15mm (.591 in.) Wide Belts (5M-15) | | | | | | | | | | | | | | | | |
|--|----------------|------|-------|----------------|--------|--------|-----------|------------------|------|------|------|------|------|------|-----------------------|------|
| No. of Teeth | Catalog Number | Bore | Pitch | Diameter (in.) | | Type + | Max. Bore | Dimensions (in.) | | | | | | | Weight* Approx. (lbs) | |
| | | | | O.D. | Flange | | | E | L | M | K | H | F | G | | W |
| 32 | P325M15-MPB | 1/2 | 2.005 | 1.960 | 2.16 | D1F | 0.88 | 0.50 | 1.73 | — | — | 1.55 | 0.84 | — | 0.65 | 1.12 |
| 34 | P345M15-MPB | 1/2 | 2.130 | 2.085 | 2.29 | D1F | 1.00 | 0.50 | 1.73 | — | — | 1.68 | 0.84 | — | 0.65 | 1.25 |
| 36 | P365M15-MPB | 1/2 | 2.256 | 2.211 | 2.41 | D1F | 1.12 | 0.50 | 1.73 | — | — | 1.80 | 0.84 | — | 0.65 | 1.39 |
| QD 15mm (.591in.) Wide Belts (5M-15) | | | | | | | | | | | | | | | | |
| 38 | P385M15-JA | JA | 2.381 | 2.336 | 2.54 | ●E1F | 1.25 | 0.67 | 1.00 | 0.44 | — | — | 0.84 | 1.34 | 0.65 | 0.80 |
| 40 | P405M15-JA | JA | 2.506 | 2.461 | 2.66 | ●E1F | 1.25 | 0.67 | 1.00 | 0.44 | — | — | 0.84 | 1.34 | 0.65 | 1.06 |
| 44 | P445M15-JA | JA | 2.757 | 2.712 | 2.91 | ●E1F | 1.25 | 0.67 | 1.00 | 0.44 | — | — | 0.84 | 1.34 | 0.65 | 1.40 |
| 48 | P485M15-JA | JA | 3.008 | 2.963 | 3.16 | B1F | 1.25 | 0.23 | 1.00 | 0.00 | 0.67 | — | 0.84 | 2.36 | 0.65 | 1.20 |
| 52 | P525M15-JA | JA | 3.258 | 3.213 | 3.41 | B1F | 1.25 | 0.23 | 1.00 | 0.00 | 0.67 | — | 0.84 | 2.62 | 0.65 | 1.43 |
| 56 | P565M15-SH | SH | 3.509 | 3.464 | 3.66 | D1F | 1.68 | 0.08 | 1.25 | 0.06 | 0.42 | — | 0.84 | 2.86 | 0.65 | 1.64 |
| 60 | P605M15-SH | SH | 3.760 | 3.715 | 3.92 | D1F | 1.68 | 0.08 | 1.25 | 0.06 | 0.42 | — | 0.84 | 3.12 | 0.65 | 1.83 |
| 64 | P645M15-SH | SH | 4.010 | 3.965 | 4.16 | D1F | 1.68 | 0.08 | 1.25 | 0.06 | 0.42 | — | 0.84 | 3.37 | 0.65 | 2.16 |
| 68 | P685M15-SDS | SDS | 4.261 | 4.216 | 4.41 | C1F | 2.00 | 0.08 | 1.31 | 0.00 | 0.48 | — | 0.84 | 3.50 | 0.65 | 2.48 |
| 72 | P725M15-SDS | SDS | 4.511 | 4.466 | 4.66 | C1F | 2.00 | 0.08 | 1.31 | 0.00 | 0.48 | — | 0.84 | 3.75 | 0.65 | 2.84 |
| 80 | P805M15-SDS | SDS | 5.013 | 4.968 | — | C1 | 2.00 | 0.08 | 1.31 | 0.00 | 0.48 | — | 0.84 | 4.25 | 0.65 | 3.61 |
| 90 | P905M15-SDS | SDS | 5.639 | 5.594 | — | C1 | 2.00 | 0.08 | 1.31 | 0.00 | 0.48 | — | 0.84 | 4.88 | 0.65 | 4.69 |
| 112 | P1125M15-SDS | SDS | 7.018 | 6.973 | — | C2 | 2.00 | 0.08 | 1.31 | 0.00 | 0.48 | — | 0.84 | 6.05 | 0.65 | 6.02 |
| MPB 25mm (.984in.) Wide Belts (5M-25) | | | | | | | | | | | | | | | | |
| 32 | P325M25-MPB | 1/2 | 2.005 | 1.960 | 2.16 | D1F | 0.88 | 0.50 | 1.34 | — | — | 1.55 | 1.23 | — | 1.04 | 0.84 |
| 34 | P345M25-MPB | 1/2 | 2.130 | 2.085 | 2.29 | D1F | 1.00 | 0.50 | 1.34 | — | — | 1.68 | 1.23 | — | 1.04 | 0.93 |
| 36 | P365M25-MPB | 1/2 | 2.256 | 2.211 | 2.41 | D1F | 1.12 | 0.50 | 1.34 | — | — | 1.80 | 1.23 | — | 1.04 | 1.03 |
| QD 25mm (.984in.) Wide Belts (5M-25) | | | | | | | | | | | | | | | | |
| 38 | P385M25-JA | JA | 2.381 | 2.336 | 2.54 | ●E1F | 1.25 | 0.28 | 1.00 | 0.44 | — | — | 1.23 | 1.34 | 1.04 | 0.61 |
| 40 | P405M25-JA | JA | 2.506 | 2.461 | 2.66 | ●E1F | 1.25 | 0.28 | 1.00 | 0.44 | — | — | 1.23 | 1.34 | 1.04 | 0.72 |
| 44 | P445M25-JA | JA | 2.757 | 2.712 | 2.91 | ●E1F | 1.25 | 0.28 | 1.00 | 0.44 | — | — | 1.23 | 1.34 | 1.04 | 0.95 |
| 48 | P485M25-JA | JA | 3.008 | 2.963 | 3.16 | C1F | 1.25 | 0.16 | 1.00 | 0.00 | 0.28 | — | 1.23 | 2.36 | 1.04 | 0.97 |
| 52 | P525M25-JA | JA | 3.258 | 3.213 | 3.41 | C1F | 1.25 | 0.16 | 1.00 | 0.00 | 0.28 | — | 1.23 | 2.62 | 1.04 | 1.17 |
| 56 | P565M25-SH | SH | 3.509 | 3.464 | 3.66 | D1F | 1.68 | 0.50 | 1.25 | 0.09 | 0.00 | — | 1.23 | — | 1.04 | 1.37 |
| 60 | P605M25-SH | SH | 3.760 | 3.715 | 3.92 | D1F | 1.68 | 0.50 | 1.25 | 0.09 | 0.00 | — | 1.23 | — | 1.04 | 1.68 |
| 64 | P645M25-SH | SH | 4.010 | 3.965 | 4.16 | D1F | 1.68 | 0.50 | 1.25 | 0.09 | 0.00 | — | 1.23 | — | 1.04 | 1.80 |
| 68 | P685M25-SDS | SDS | 4.261 | 4.216 | 4.41 | C1F | 2.00 | 0.47 | 1.31 | 0.00 | 0.09 | — | 1.23 | 3.50 | 1.04 | 2.10 |
| 72 | P725M25-SDS | SDS | 4.511 | 4.466 | 4.66 | C1F | 2.00 | 0.47 | 1.31 | 0.00 | 0.09 | — | 1.23 | 3.75 | 1.04 | 2.43 |
| 80 | P805M25-SDS | SDS | 5.013 | 4.968 | — | C1 | 2.00 | 0.47 | 1.31 | 0.00 | 0.09 | — | 1.23 | 4.25 | 1.04 | 3.15 |
| 90 | P905M25-SDS | SDS | 5.639 | 5.594 | — | C1 | 2.00 | 0.47 | 1.31 | 0.00 | 0.09 | — | 1.23 | 4.88 | 1.04 | 4.17 |
| 112 | P1125M25-SDS | SDS | 7.018 | 6.973 | — | C1 | 2.00 | 0.47 | 1.31 | 0.00 | 0.09 | — | 1.23 | 6.05 | 1.04 | 5.16 |

* Weight Shown is for Sprocket Less Bushing.
● Reverse Mount Only

+ The numbers (1=Solid, 2=Web, 3=Arms) within the "Type" indicates construction, and the letter F indicates the sprocket has flanges.



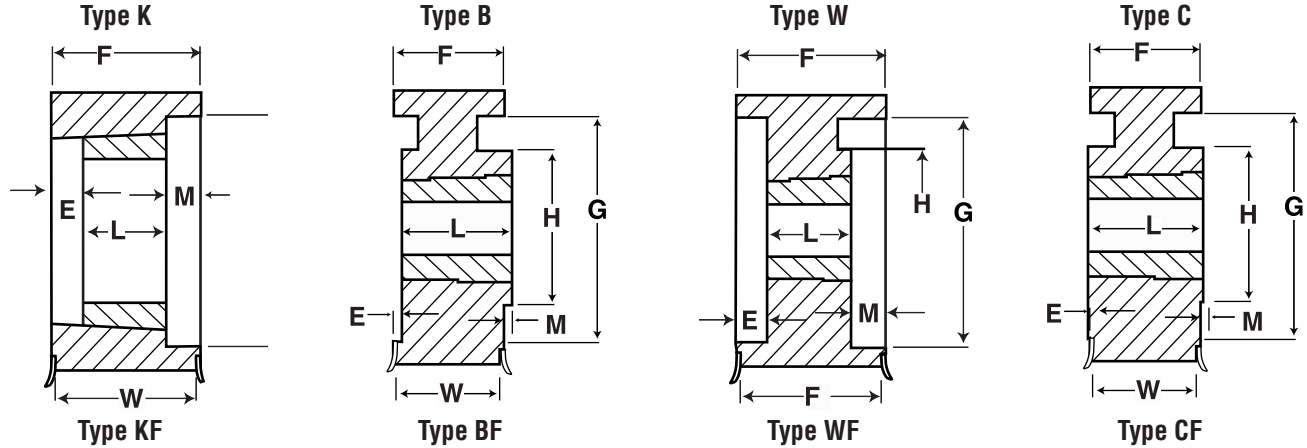
| MPB 20mm (.787 in.) Wide Belts (8M-20) | | | | | | | | | | | | | | | | | |
|---|----------------|------|--------|----------------|--------|--------|-----------|------------------|-------|------|------|--------|-------|-------|-----|-----------------------|--|
| No. of Teeth | Catalog Number | Bore | Pitch | Diameter (in.) | | Type + | Max. Bore | Dimensions (in.) | | | | | | | | Weight* Approx. (lbs) | |
| | | | | O.D. | Flange | | | E | L | M | K | H | F | G | W | | |
| 20 | P208M20-MPB | 1/2 | 2.005 | 1.951 | 2.375 | D1F | 7/8 | 3/8 | 1 1/4 | 0 | — | 1 1/2 | 1 1/2 | — | 7/8 | .90 | |
| 21 | P218M20-MPB | 1/2 | 2.105 | 2.051 | 2.468 | D1F | 1 | 3/8 | 1 1/4 | 0 | — | 1 1/2 | 1 1/2 | — | 7/8 | 1.00 | |
| 22 | P228M20-MPB | 1/2 | 2.206 | 2.152 | 2.562 | D1F | 1 1/16 | 3/8 | 1 1/4 | 0 | — | 1 1/2 | 1 1/2 | — | 7/8 | 1.60 | |
| QD 20mm (.787 in.) Wide Belts (8M-20) | | | | | | | | | | | | | | | | | |
| 24 | P248M20-JA | JA | 2.406 | 2.352 | 2.750 | ●E1F | 1 1/4 | 3/16 | 1 1/8 | 3/16 | — | — | 1 1/2 | 1.34 | 7/8 | 1.50 | |
| 26 | P268M20-JA | JA | 2.607 | 2.553 | 2.937 | ●E1F | 1 1/4 | 3/16 | 1 1/8 | 3/16 | — | — | 1 1/2 | 1.34 | 7/8 | 1.80 | |
| 28 | P288M20-H | H | 2.807 | 2.753 | 3.156 | ●E1F | 1 1/4 | 3/16 | 1 1/8 | 3/16 | — | — | 1 1/2 | 1.57 | 7/8 | 1.40 | |
| 30 | P308M20-H | H | 3.008 | 2.954 | 3.344 | ●E1F | 1 1/4 | 3/16 | 1 1/8 | 3/16 | — | — | 1 1/2 | 1.57 | 7/8 | 1.90 | |
| 32 | P328M20-H | H | 3.208 | 3.154 | 3.562 | C1F | 1 1/4 | 3/16 | 1 1/8 | 0 | 1/4 | — | 1 1/2 | 2.56 | 7/8 | 2.00 | |
| 34 | P348M20-SH | SH | 3.409 | 3.355 | 3.750 | D1F | 1 1/16 | 3/16 | 1 1/4 | 1/16 | — | — | 1 1/2 | 2.75 | 7/8 | 2.20 | |
| 36 | P368M20-SH | SH | 3.609 | 3.555 | 3.937 | D1F | 1 1/16 | 3/16 | 1 1/4 | 1/16 | — | — | 1 1/2 | 2.82 | 7/8 | 2.50 | |
| 38 | P388M20-SH | SH | 3.810 | 3.756 | 4.156 | D1F | 1 1/16 | 3/16 | 1 1/4 | 1/16 | 3/16 | — | 1 1/2 | 3.00 | 7/8 | 2.80 | |
| 40 | P408M20-SH | SH | 4.010 | 3.956 | 4.344 | D1F | 1 1/16 | 3/16 | 1 1/4 | 1/16 | 3/16 | — | 1 1/2 | 3.00 | 7/8 | 3.00 | |
| 44 | P448M20-SDS | SDS | 4.411 | 4.357 | 4.750 | C1F | 2 | 3/16 | 1 1/4 | 0 | 3/8 | — | 1 1/2 | 3.50 | 7/8 | 3.20 | |
| 48 | P488M20-SDS | SDS | 4.812 | 4.758 | 5.157 | C1F | 2 | 3/16 | 1 1/8 | 0 | 3/8 | — | 1 1/2 | 3.8 | 7/8 | 3.40 | |
| 56 | P568M20-SDS | SDS | 5.614 | 5.560 | 5.937 | C1F | 2 | 3/16 | 1 1/8 | 0 | 3/8 | — | 1 1/2 | 4.6 | 7/8 | 4.50 | |
| 64 | P648M20-SDS | SDS | 6.416 | 6.362 | 6.750 | C1F | 2 | 3/16 | 1 1/8 | 0 | 3/8 | — | 1 1/2 | 5.4 | 7/8 | 5.50 | |
| 72 | P728M20-SDS | SDS | 7.218 | 7.164 | 7.562 | C1F | 2 | 3/16 | 1 1/8 | 0 | 3/8 | — | 1 1/2 | 6.2 | 7/8 | 6.00 | |
| 80 | P808M20-SDS | SDS | 8.020 | 7.966 | 8.375 | C2F | 2 | 3/16 | 1 1/8 | 0 | 3/8 | — | 1 1/2 | 6.9 | 7/8 | 6.50 | |
| 90 | P908M20-SDS | SDS | 9.023 | 8.969 | — | C2 | 2 | 3/16 | 1 1/8 | 0 | 3/8 | — | 1 1/2 | 7.62 | — | 7.00 | |
| 112 | P1128M20-SK | SK | 11.229 | 11.175 | — | C3 | 2 3/8 | 3/4 | 1 1/2 | 1/16 | 1/16 | — | 1 1/2 | 9.87 | — | 10.50 | |
| 144 | P1448M20-SF | SF | 14.447 | 14.388 | — | C3 | 2 5/16 | 3/4 | 2 1/8 | 1/16 | 1/16 | — | 1 1/2 | 12.88 | — | 14.50 | |
| Taper Bushed 20mm (.787 in.) Wide Belts (8M-20) | | | | | | | | | | | | | | | | | |
| 24 | P248M20-1108 | 1108 | 2.406 | 2.352 | 2.75 | KF-1 | 1 | 1/16 | 3/8 | 3/16 | — | — | 1 1/2 | 1.783 | 7/8 | .7 | |
| 26 | P268M20-1108 | 1108 | 2.607 | 2.553 | 2.94 | KF-1 | 1 | 1/16 | 7/8 | 3/16 | — | — | 1 1/2 | 1.971 | 7/8 | .9 | |
| 28 | P288M20-1108 | 1108 | 2.807 | 2.753 | 3.16 | KF-1 | 1 | 1/16 | 3/8 | 3/16 | — | — | 1 1/2 | 2.000 | 7/8 | 1.2 | |
| 30 | P308M20-1210 | 1210 | 3.008 | 2.954 | 3.34 | KF-1 | 1 1/4 | 1/8 | 1 | — | — | — | 1 1/2 | 0 | 7/8 | 1.2 | |
| 32 | P328M20-1210 | 1210 | 3.208 | 3.154 | 3.56 | KF-1 | 1 1/4 | 1/8 | 1 | — | — | — | 1 1/2 | 0 | 7/8 | 1.4 | |
| 34 | P348M20-1610 | 1610 | 3.409 | 3.355 | 3.75 | KF-1 | 1 1/16 | 1/8 | 1 | — | — | — | 1 1/2 | 0 | 7/8 | 1.4 | |
| 36 | P368M20-1610 | 1610 | 3.609 | 3.555 | 3.94 | KF-1 | 1 1/16 | 1/8 | 1 | — | — | — | 1 1/2 | 0 | 7/8 | 1.7 | |
| 38 | P388M20-1610 | 1610 | 3.810 | 3.756 | 4.16 | KF-1 | 1 1/16 | 1/8 | 1 | — | — | — | 1 1/2 | 0 | 7/8 | 2.0 | |
| 40 | P408M20-1610 | 1610 | 4.010 | 3.956 | 4.34 | KF-1 | 1 1/16 | 1/8 | 1 | — | — | — | 1 1/2 | 0 | 7/8 | 2.4 | |
| 44 | P448M20-2012 | 2012 | 4.411 | 4.357 | 4.75 | CF-1 | 2 1/2 | — | 1 1/4 | 1/8 | — | 3 7/32 | 1 1/2 | 0 | 7/8 | 2.6 | |
| 48 | P488M20-2012 | 2012 | 4.812 | 4.758 | 5.16 | CF-1 | 2 1/2 | — | 1 1/4 | 1/8 | — | 3 3/8 | 1 1/2 | 0 | 7/8 | 3.4 | |
| 56 | P568M20-2012 | 2012 | 5.614 | 5.560 | 5.94 | CF-1 | 2 1/2 | — | 1 1/4 | 1/8 | — | 3 3/8 | 1 1/2 | 0 | 7/8 | 5.3 | |
| 64 | P648M20-2012 | 2012 | 6.416 | 6.362 | 6.75 | CF-1 | 2 1/2 | — | 1 1/4 | 1/8 | — | 4 1/8 | 1 1/2 | 0 | 7/8 | 7.5 | |
| 72 | P728M20-2012 | 2012 | 7.218 | 7.164 | 7.56 | CF-1 | 2 1/2 | — | 1 1/4 | 1/8 | — | 4 1/8 | 1 1/2 | 0 | 7/8 | 9.9 | |
| 80 | P808M20-2517 | 2517 | 8.020 | 7.966 | 8.38 | CF-2 | 2 1/16 | — | 1 1/4 | 3/8 | — | 4 1/8 | 1 1/2 | 6.900 | 7/8 | 11.9 | |
| 90 | P908M20-2517 | 2517 | 9.023 | 8.969 | — | C-2 | 2 1/16 | — | 1 1/4 | 3/8 | — | — | 1 1/2 | 7.630 | — | 12.9 | |

* Weight Shown is for Sprocket Less Bushing.
● Reverse Mount Only

+ The numbers (1=Solid, 2=Web, 3=Arms) within the "Type" indicates construction, and the letter F indicates the sprocket has flanges.

High Torque Sprockets 8mm

Martin

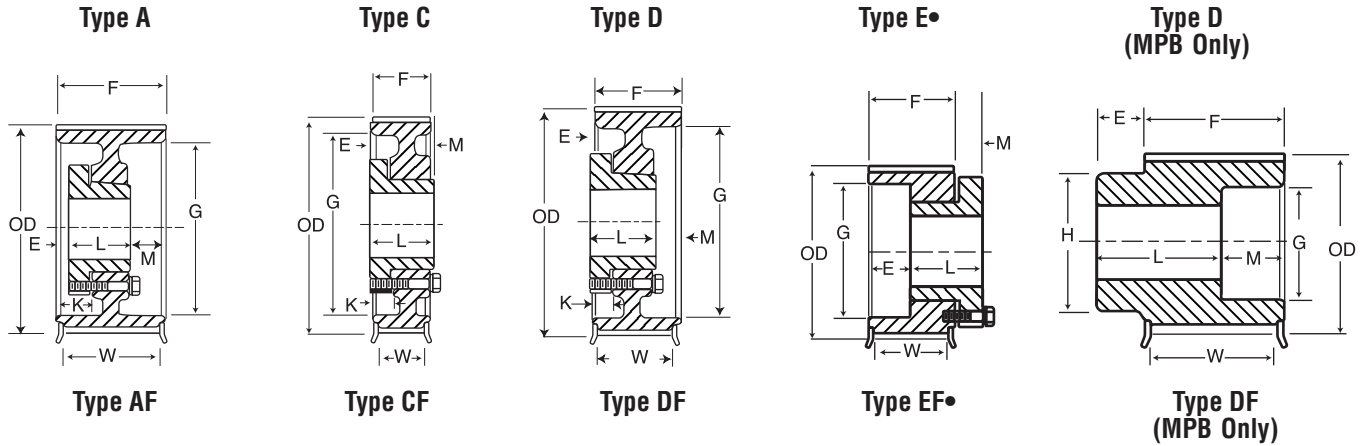


| MPB 30mm (1.18in.) Wide Belts (8M-30) | | | | | | | | | | | | | | | | |
|--|----------------|------|--------|----------------|--------|--------|-----------|------------------|----|---|----|----|----|--------|-----------------------|-------|
| No. of Teeth | Catalog Number | Bore | Pitch | Diameter (in.) | | Type + | Max. Bore | Dimensions (in.) | | | | | | | Weight* Approx. (lbs) | |
| | | | | O.D. | Flange | | | E | L | M | K | H | F | G | | W |
| 20 | P208M30-MPB | ½ | 2.005 | 1.951 | 2.375 | D1F | ¾ | ¾ | 2½ | 0 | — | 1½ | 1½ | — | 1½ | 1.10 |
| 21 | P218M30-MPB | ½ | 2.105 | 2.051 | 2.468 | D1F | 1 | ¾ | 2½ | 0 | — | 1½ | 1½ | — | 1½ | 1.30 |
| 22 | P228M30-MPB | ½ | 2.206 | 2.152 | 2.562 | D1F | 1¼ | ¾ | 2½ | 0 | — | 1½ | 1½ | — | 1½ | 1.40 |
| 24 | P248M30-MPB | ½ | 2.406 | 2.352 | 2.750 | D1F | 1½ | ¾ | 2½ | 0 | — | 1¾ | 1½ | — | 1½ | 1.80 |
| 26 | P268M30-MPB | ½ | 2.607 | 2.553 | 2.937 | D1F | 1¾ | ¾ | 2½ | 0 | — | 2 | 1½ | — | 1½ | 2.20 |
| QD 30mm (1.18in.) Wide Belts (8M-30) | | | | | | | | | | | | | | | | |
| 28 | P288M30-H | H | 2.807 | 2.753 | 3.156 | ●E1F | 1¼ | ¾ | 1¼ | ¾ | — | — | 1½ | 1.57 | 1¼ | 1.70 |
| 30 | P308M30-H | H | 3.008 | 2.954 | 3.344 | ●E1F | 1½ | ¾ | 1¼ | ¾ | — | — | 1½ | 1.57 | 1¼ | 1.90 |
| 32 | P328M30-H | H | 3.208 | 3.154 | 3.562 | B1F | 1¾ | ¾ | 1¼ | 0 | ¾ | — | 1½ | 2.56 | 1¼ | 2.10 |
| 34 | P348M30-SH | SH | 3.409 | 3.355 | 3.750 | A1F | 1¾ | ¾ | 1¼ | ¼ | 1½ | — | 1½ | 2.75 | 1¼ | 2.40 |
| 36 | P368M30-SH | SH | 3.609 | 3.555 | 3.937 | A1F | 1¾ | ¾ | 1¼ | ¼ | 1½ | — | 1½ | 2.82 | 1¼ | 2.80 |
| 38 | P388M30-SH | SH | 3.810 | 3.756 | 4.156 | A1F | 1¾ | ¾ | 1¼ | ¼ | 1½ | — | 1½ | 3.00 | 1¼ | 3.20 |
| 40 | P408M30-SH | SH | 4.010 | 3.956 | 4.344 | A1F | 1¾ | ¾ | 1¼ | ¼ | 1½ | — | 1½ | 3.00 | 1¼ | 3.60 |
| 44 | P448M30-SDS | SDS | 4.411 | 4.357 | 4.750 | B1F | 1¾ | ¾ | 1¼ | 0 | ¾ | — | 1½ | 3.50 | 1¼ | 3.80 |
| 48 | P488M30-SDS | SDS | 4.812 | 4.758 | 5.157 | B1F | 2 | ¾ | 1¼ | 0 | ¾ | — | 1½ | 3.80 | 1¼ | 4.20 |
| 56 | P568M30-SDS | SDS | 5.614 | 5.560 | 5.937 | B1F | 2 | ¾ | 1¼ | 0 | ¾ | — | 1½ | 4.60 | 1¼ | 4.80 |
| 64 | P648M30-SK | SK | 6.416 | 6.362 | 6.750 | C1F | 2 | ¾ | 1¼ | 0 | ¾ | — | 1½ | 5.40 | 1¼ | 6.10 |
| 72 | P728M30-SK | SK | 7.218 | 7.164 | 7.562 | C1F | 2 | ¾ | 1¼ | 0 | ¾ | — | 1½ | 6.20 | 1¼ | 6.80 |
| 80 | P808M30-SK | SK | 8.020 | 7.966 | 8.375 | C2F | 2½ | ¾ | 1¼ | 0 | ¾ | — | 1½ | 6.90 | 1¼ | 7.50 |
| 90 | P908M30-SK | SK | 9.023 | 8.969 | — | C2 | 2½ | ¾ | 1¼ | 0 | ¾ | — | 1½ | 7.62 | — | 11.00 |
| 112 | P1128M30-SK | SK | 11.229 | 11.175 | — | C3 | 2½ | ¾ | 1¼ | 0 | ¾ | — | 1½ | 9.87 | — | 13.00 |
| 144 | P1448M30-SF | SF | 14.447 | 14.383 | — | C3 | 2½ | ¾ | 1¼ | 0 | ¾ | — | 1½ | 12.88 | — | 25.50 |
| 192 | P1928M30-E | E | 19.249 | 19.195 | — | C3 | — | 1¾ | 2½ | ¼ | ¾ | — | 1½ | 17.63 | — | 30.00 |
| Taper Bushed 30mm (1.18in.) Wide Belts (8M-30) | | | | | | | | | | | | | | | | |
| 24 | P248M30-1108 | 1108 | 2.406 | 2.352 | 2.75 | KF-1 | 1 | ¾ | ¾ | ½ | — | — | 1½ | 1.783 | 1¼ | .9 |
| 26 | P268M30-1108 | 1108 | 2.607 | 2.553 | 2.94 | KF-1 | 1 | ¾ | ¾ | ½ | — | — | 1½ | 1.971 | 1¼ | 1.2 |
| 28 | P288M30-1108 | 1108 | 2.807 | 2.753 | 3.16 | KF-1 | 1 | ¾ | ¾ | ½ | — | — | 1½ | 2.000 | 1¼ | 1.6 |
| 30 | P308M30-1210 | 1210 | 3.008 | 2.954 | 3.34 | KF-1 | 1¼ | ¾ | 1 | ¾ | — | — | 1½ | 2.345 | 1¼ | 1.5 |
| 32 | P328M30-1210 | 1210 | 3.208 | 3.154 | 3.56 | KF-1 | 1¼ | ¾ | 1 | ¾ | — | — | 1½ | 2.560 | 1¼ | 1.9 |
| 34 | P348M30-1610 | 1610 | 3.409 | 3.355 | 3.75 | KF-1 | 1¾ | ¾ | 1 | ¾ | — | — | 1½ | 2.750 | 1¼ | 2.3 |
| 36 | P368M30-1610 | 1610 | 3.609 | 3.555 | 3.94 | KF-1 | 1¾ | ¾ | 1 | ¾ | — | — | 1½ | 2.820 | 1¼ | 2.2 |
| 38 | P388M30-1610 | 1610 | 3.810 | 3.756 | 4.16 | KF-1 | 1¾ | ¾ | 1 | ¾ | — | — | 1½ | 3.000 | 1¼ | 2.7 |
| 40 | P408M30-2012 | 2012 | 4.010 | 3.956 | 4.34 | KF-1 | 2½ | — | 1¼ | ¼ | — | — | 1½ | 3.250 | 1¼ | 2.4 |
| 44 | P448M30-2012 | 2012 | 4.411 | 4.357 | 4.75 | KF-1 | 2½ | — | 1¼ | — | ¼ | — | 1½ | 3.500 | 1¼ | 3.4 |
| 48 | P488M30-2012 | 2012 | 4.812 | 4.758 | 5.16 | KF-1 | 2½ | — | 1¼ | — | ¼ | — | 1½ | 3.800 | 1¼ | 4.5 |
| 56 | P568M30-2012 | 2012 | 5.614 | 5.560 | 5.94 | KF-1 | 2½ | — | 1¼ | — | ¼ | — | 1½ | 4.600 | 1¼ | 7.0 |
| 64 | P648M30-2517 | 2517 | 6.416 | 6.362 | 6.75 | CF-1 | 2¾ | — | 1¾ | — | ¼ | 4¼ | 1½ | 0 | 1¼ | 8.9 |
| 72 | P728M30-2517 | 2517 | 7.218 | 7.164 | 7.56 | CF-1 | 2¾ | — | 1¾ | — | ¼ | 4¼ | 1½ | 0 | 1¼ | 12.1 |
| 80 | P808M30-2517 | 2517 | 8.020 | 7.966 | 8.38 | CF-2 | 2¾ | — | 1¾ | — | ¼ | 4¼ | 1½ | 0 | 1¼ | 15.8 |
| 90 | P908M30-2517 | 2517 | 9.023 | 8.969 | — | C-2 | 2¾ | ¾ | 1¾ | — | ¼ | 4¼ | 1½ | 7.630 | — | 13.8 |
| 112 | P1128M30-2517 | 2517 | 11.229 | 11.175 | — | C-3 | 2¾ | ¾ | 1¾ | — | ¼ | 4¼ | 1½ | 9.880 | — | 23.5 |
| 144 | P1448M30-2517 | 2517 | 14.437 | 14.383 | ... | C-3 | 2¾ | ¾ | 1¾ | — | ¼ | 4¼ | 1½ | 12.880 | — | 21.3 |

* Weight Shown is for Sprocket Less Bushing.

● Reverse Mount Only

+ The numbers (1=Solid, 2=Web, 3=Arms) within the "Type" indicates construction, and the letter F indicates the sprocket has flanges.

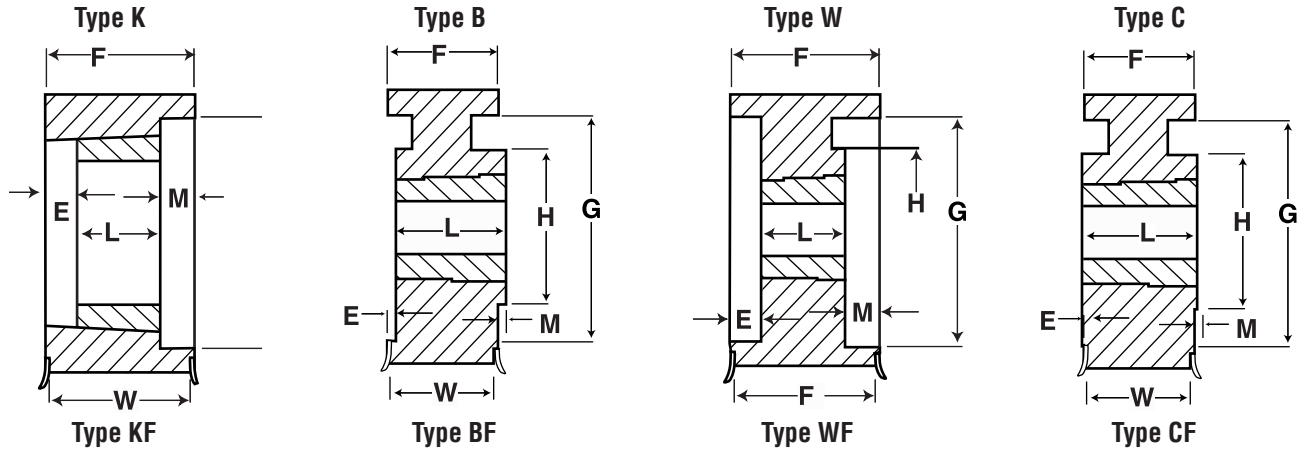


| MPB 50mm (1.97 in.) Wide Belts (8M-50) | | | | | | | | | | | | | | | | |
|---|----------------|------|--------|----------------|--------|--------|-----------|------------------|-------|-------|-----|-------|-------|--------|------------------------|------|
| No. of Teeth | Catalog Number | Bore | Pitch | Diameter (in.) | | Type + | Max. Bore | Dimensions (in.) | | | | | | | Weight* Approx. (lbs.) | |
| | | | | O.D. | Flange | | | E | L | M | K | H | F | G | | W |
| 28 | P288M50-MPB | 1/2 | 2.807 | 2.753 | 3.156 | D1F | 1 1/4 | 3/4 | 3 3/8 | 0 | — | 2 1/2 | 2 1/2 | — | 2 1/2 | 4.2 |
| 30 | P308M50-MPB | 1/2 | 3.008 | 2.954 | 3.344 | D1F | 1 1/4 | 3/4 | 3 3/8 | 0 | — | 2 1/2 | 2 1/2 | — | 2 1/2 | 4.9 |
| 32 | P328M50-MPB | 1/2 | 3.208 | 3.154 | 3.562 | D1F | 1 1/4 | 3/4 | 3 3/8 | 0 | — | 2 1/2 | 2 1/2 | — | 2 1/2 | 5.4 |
| QD 50mm (1.97 in.) Wide Belts (8M-50) | | | | | | | | | | | | | | | | |
| 32 | P328M50-H | H | 3.208 | 3.154 | 3.562 | A1F | 1 1/4 | 1/2 | 1 1/4 | 3/8 | 3/8 | — | 2 1/2 | 2.56 | 2 1/2 | 2.9 |
| 34 | P348M50-SH | SH | 3.409 | 3.355 | 3.750 | A1F | 1 1/4 | 0 | 1 1/4 | 1 1/8 | 1/2 | — | 2 1/2 | 2.75 | 2 1/2 | 3.2 |
| 36 | P368M50-SH | SH | 3.609 | 3.555 | 3.937 | A1F | 1 1/4 | 0 | 1 1/4 | 1 1/8 | 1/2 | — | 2 1/2 | 2.82 | 2 1/2 | 3.8 |
| 38 | P388M50-SH | SH | 3.810 | 3.756 | 4.156 | A1F | 1 1/4 | 0 | 1 1/4 | 1 1/8 | 1/2 | — | 2 1/2 | 3.00 | 2 1/2 | 4.2 |
| 40 | P408M50-SH | SH | 4.010 | 3.956 | 4.344 | A1F | 1 1/4 | 0 | 1 1/4 | 1 1/8 | 1/2 | — | 2 1/2 | 3.00 | 2 1/2 | 4.6 |
| 44 | P448M50-SD | SD | 4.411 | 4.357 | 4.750 | A1F | 2 | 0 | 1 1/8 | 3/8 | 3/8 | — | 2 1/2 | 3.50 | 2 1/2 | 5.2 |
| 48 | P488M50-SD | SD | 4.812 | 4.758 | 5.157 | A1F | 2 | 0 | 1 1/8 | 3/8 | 3/8 | — | 2 1/2 | 3.80 | 2 1/2 | 6.0 |
| 56 | P568M50-SK | SK | 5.614 | 5.560 | 5.937 | D1F | 2 1/2 | 1/8 | 1 1/8 | 3/8 | 3/8 | — | 2 1/2 | 4.60 | 2 1/2 | 7.6 |
| 64 | P648M50-SK | SK | 6.416 | 6.362 | 6.750 | D1F | 2 1/2 | 1/8 | 1 1/8 | 3/8 | 3/8 | — | 2 1/2 | 5.40 | 2 1/2 | 10.3 |
| 72 | P728M50-SK | SK | 7.218 | 7.164 | 7.562 | D1F | 2 1/2 | 1/8 | 1 1/8 | 3/8 | 3/8 | — | 2 1/2 | 6.20 | 2 1/2 | 13.3 |
| 80 | P808M50-SF | SF | 8.020 | 7.966 | 8.326 | D1F | 2 1/2 | 1/8 | 2 | 3/8 | 3/8 | — | 2 1/2 | 6.90 | 2 1/2 | 12.7 |
| 90 | P908M50-SF | SF | 9.023 | 8.969 | — | D2 | 2 1/2 | 1/8 | 2 | 3/8 | 3/8 | — | 2 1/2 | 7.62 | 2 1/2 | 16.0 |
| 112 | P1128M50-SF | SF | 11.229 | 11.175 | — | D3 | 2 1/2 | 1/8 | 2 | 3/8 | 3/8 | — | 2 1/2 | 9.88 | 2 1/2 | 21.0 |
| 144 | P1448M50-E | E | 14.437 | 14.383 | — | D3 | 3 1/2 | 1/2 | 2 1/2 | 2 | 3/8 | — | 2 1/2 | 12.88 | 2 1/2 | 35.0 |
| 192 | P1928M50-E | E | 19.249 | 19.195 | — | D3 | 3 1/2 | 1/2 | 2 1/2 | 2 | 3/8 | — | 2 1/2 | 17.63 | 2 1/2 | 45.0 |
| Taper Bushed 50mm (1.97 in.) Wide Belts (8M-50) | | | | | | | | | | | | | | | | |
| 28 | P288M50-1108 | 1108 | 2.807 | 2.753 | 3.16 | KF-1 | 1 | — | 7/8 | 1 1/2 | — | — | 2 1/2 | 2.000 | 2 1/2 | 2.1 |
| 30 | P308M50-1210 | 1210 | 3.008 | 2.954 | 3.34 | KF-1 | 1 1/4 | — | 1 | 1 3/8 | — | — | 2 1/2 | 2.345 | 2 1/2 | 2.2 |
| 32 | P328M50-1210 | 1210 | 3.208 | 3.154 | 3.56 | KF-1 | 1 1/4 | — | 1 | 1 3/8 | — | — | 2 1/2 | 2.560 | 2 1/2 | 2.1 |
| 34 | P348M50-1610 | 1610 | 3.409 | 3.355 | 3.75 | KF-1 | 1 1/4 | — | 1 | 1 3/8 | — | — | 2 1/2 | 2.750 | 2 1/2 | 2.1 |
| 36 | P368M50-1610 | 1610 | 3.609 | 3.555 | 3.94 | KF-1 | 1 1/4 | — | 1 | 1 3/8 | — | — | 2 1/2 | 2.820 | 2 1/2 | 2.7 |
| 38 | P388M50-1610 | 1610 | 3.810 | 3.756 | 4.16 | KF-1 | 1 1/4 | — | 1 | 1 3/8 | — | — | 2 1/2 | 3.000 | 2 1/2 | 3.1 |
| 40 | P408M50-2012 | 2012 | 4.010 | 3.956 | 4.34 | KF-1 | 2 1/2 | — | 1 1/4 | 1 1/8 | — | — | 2 1/2 | 3.250 | 2 1/2 | 3.4 |
| 44 | P448M50-2012 | 2012 | 4.411 | 4.357 | 4.75 | KF-1 | 2 1/2 | — | 1 1/4 | 1 1/8 | — | — | 2 1/2 | 3.500 | 2 1/2 | 4.3 |
| 48 | P488M50-2012 | 2012 | 4.812 | 4.758 | 5.16 | KF-1 | 2 1/2 | — | 1 1/4 | 1 1/8 | — | — | 2 1/2 | 3.800 | 2 1/2 | 5.5 |
| 56 | P568M50-2517 | 2517 | 5.614 | 5.560 | 5.94 | KF-1 | 2 1/2 | — | 1 1/4 | 3/8 | — | — | 2 1/2 | 4.600 | 2 1/2 | 8.1 |
| 64 | P648M50-2517 | 2517 | 6.416 | 6.362 | 6.75 | KF-1 | 2 1/2 | — | 1 1/4 | 3/8 | — | — | 2 1/2 | 5.400 | 2 1/2 | 11.7 |
| 72 | P728M50-2517 | 2517 | 7.218 | 7.164 | 7.56 | KF-1 | 2 1/2 | — | 1 1/4 | 3/8 | — | — | 2 1/2 | 6.200 | 2 1/2 | 15.7 |
| 80 | P808M50-2517 | 2517 | 8.020 | 7.966 | 8.38 | KF-1 | 2 1/2 | — | 1 1/4 | 3/8 | — | — | 2 1/2 | 6.900 | 2 1/2 | 20.3 |
| 90 | P908M50-3020 | 3020 | 9.023 | 8.969 | — | W-1 | 3 1/4 | — | 2 | 3/8 | — | — | 2 1/2 | 7.630 | 2 1/2 | 31.7 |
| 112 | P1128M50-3020 | 3020 | 11.229 | 11.175 | — | W-3 | 3 1/4 | — | 2 | 3/8 | — | 6 1/4 | 2 1/2 | 9.880 | 2 1/2 | 34.7 |
| 144 | P1448M50-3020 | 3020 | 14.437 | 14.383 | — | W-3 | 3 1/4 | — | 2 | 3/8 | — | 7 1/2 | 2 1/2 | 12.880 | 2 1/2 | 36.0 |
| 192 | P1928M50-3020 | 3020 | 19.249 | 19.195 | — | W-3 | 3 1/4 | — | 2 | 3/8 | — | 7 1/2 | 2 1/2 | 17.630 | 2 1/2 | 67.2 |

* Weight Shown is for Sprocket Less Bushing.
 ● Reverse Mount Only

+ The numbers (1=Solid, 2=Web, 3=Arms) within the "Type" indicates construction, and the letter F indicates the sprocket has flanges.

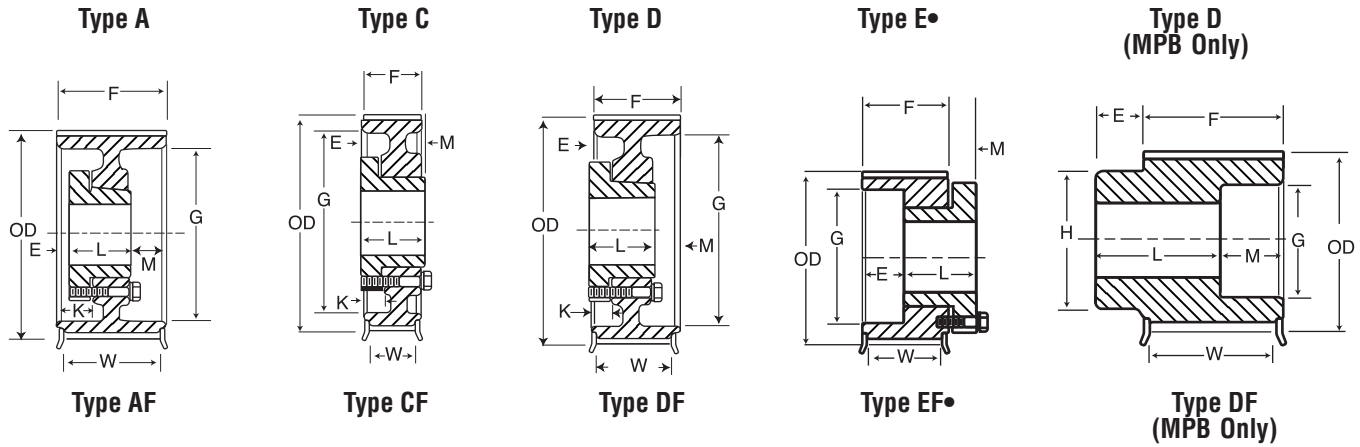
High Torque Sprockets 8mm



| MPB 85mm (3.35 in.) Wide Belts (8M-85) | | | | | | | | | | | | | | | | |
|---|----------------|------|--------|----------------|--------|--------|-----------|------------------|-------|-------|-------|---------|-------|--------|-------|----------------------|
| No. of Teeth | Catalog Number | Bore | Pitch | Diameter (in.) | | Type + | Max. Bore | Dimensions (in.) | | | | | | | | Weight Approx. (lbs) |
| | | | | O.D. | Flange | | | E | L | M | K | H | F | G | W | |
| 34 | P348M85-MPB | 3/4 | 3.409 | 3.355 | 3.750 | D1F | 1 1/16 | 3/4 | 4 1/2 | 0 | — | 2 5/16 | 3 3/4 | — | 3 1/2 | 10.00 |
| 36 | P368M85-MPB | 3/4 | 3.609 | 3.555 | 3.937 | D1F | 1 1/4 | 3/4 | 4 1/2 | 0 | — | 3 | 3 3/4 | — | 3 1/2 | 11.30 |
| 38 | P388M85-MPB | 3/4 | 3.810 | 3.756 | 4.156 | D1F | 1 5/16 | 3/4 | 4 1/2 | 0 | — | 3 3/16 | 3 3/4 | — | 3 1/2 | 12.60 |
| 40 | P408M85-MPB | 3/4 | 4.010 | 3.956 | 4.344 | D1F | 2 1/8 | 3/4 | 4 1/2 | 0 | — | 3 13/32 | 3 3/4 | — | 3 1/2 | 14.90 |
| 44 | P448M85-MPB | 3/4 | 4.411 | 4.357 | 4.750 | D1F | 2 1/4 | 3/4 | 4 1/2 | 0 | — | 3 5/16 | 3 3/4 | — | 3 1/2 | 17.20 |
| 48 | P488M85-MPB | 3/4 | 4.812 | 4.758 | 5.157 | D1F | 2 1/2 | 3/4 | 4 1/2 | 0 | — | 4 3/16 | 3 3/4 | — | 3 1/2 | 20.60 |
| 56 | P568M85-MPB | 7/8 | 5.614 | 5.560 | 5.937 | D1F | 3 | 3/4 | 4 1/2 | 0 | — | 5 | 3 3/4 | — | 3 1/2 | 28.00 |
| QD 85mm (3.35 in.) Wide Belts (8M-85) | | | | | | | | | | | | | | | | |
| 34 | P348M85-SH | SH | 3.409 | 3.355 | 3.819 | A1F | 1 1/16 | 1 | 1 1/4 | 1 1/2 | 1 1/2 | — | 3 3/4 | 2.75 | 3 1/2 | 4.6 |
| 36 | P368M85-SH | SH | 3.609 | 3.555 | 3.937 | A1F | 1 1/16 | 1 | 1 1/4 | 1 1/2 | 1 1/2 | — | 3 3/4 | 2.82 | 3 1/2 | 5.2 |
| 38 | P388M85-SH | SH | 3.810 | 3.756 | 4.134 | A1F | 1 1/16 | 1 | 1 1/4 | 1 1/2 | 1 1/2 | — | 3 3/4 | 3.00 | 3 1/2 | 5.8 |
| 40 | P408M85-SD | SD | 4.010 | 3.956 | 4.344 | A1F | 2 | 1 1/16 | 1 1/8 | 1 1/4 | 1 1/4 | — | 3 3/4 | 3.25 | 3 1/2 | 5.6 |
| 44 | P448M85-SD | SD | 4.411 | 4.357 | 4.750 | A1F | 2 | 1 1/16 | 1 1/8 | 1 1/4 | 1 1/4 | — | 3 3/4 | 3.50 | 3 1/2 | 6.2 |
| 48 | P488M85-SD | SD | 4.812 | 4.758 | 5.157 | A1F | 2 | 1 1/16 | 1 1/8 | 1 1/4 | 1 1/4 | — | 3 3/4 | 3.80 | 3 1/2 | 7.8 |
| 56 | P568M85-SK | SK | 5.614 | 5.560 | 5.937 | A1F | 2 5/8 | 5/8 | 1 1/2 | 1 1/4 | 1 1/4 | — | 3 3/4 | 4.60 | 3 1/2 | 9.8 |
| 64 | P648M85-SF | SF | 6.416 | 6.362 | 6.750 | A1F | 2 5/8 | 5/8 | 1 1/2 | 1 1/4 | 1 1/4 | — | 3 3/4 | 5.40 | 3 1/2 | 13.0 |
| 72 | P728M85-E | E | 7.218 | 7.164 | 7.562 | A1F | 2 5/16 | 5/8 | 2 | 1 1/8 | 1 1/4 | — | 3 3/4 | 6.20 | 3 1/2 | 16.0 |
| 80 | P808M85-E | E | 8.020 | 7.966 | 8.375 | A1F | 2 5/16 | 5/8 | 2 | 1 1/8 | 1 1/4 | — | 3 3/4 | 6.90 | 3 1/2 | 17.0 |
| 90 | P908M85-E | E | 9.023 | 8.969 | — | A2 | 2 5/16 | 5/8 | 2 | 1 1/8 | 1 1/4 | — | 3 3/4 | 7.62 | — | 20.0 |
| 112 | P1128M85-F | F | 11.229 | 11.175 | — | A3 | 2 5/16 | 5/8 | 2 | 1 1/8 | 1 1/4 | — | 3 3/4 | 9.88 | — | 28.0 |
| 144 | P1448M85-F | F | 14.447 | 14.383 | — | A3 | 4 | 3/8 | 3 3/8 | 1 1/4 | 1 1/4 | — | 3 3/4 | 12.88 | 3 1/2 | 79.00 |
| 192 | P1928M85-F | F | 19.249 | 19.195 | — | A3 | 4 | 3/8 | 3 3/8 | 1 1/2 | 1 1/2 | — | 3 3/4 | 17.65 | 3 1/2 | 101.42 |
| Taper Bushed 85mm (3.35 in.) Wide Belts (8M-85) | | | | | | | | | | | | | | | | |
| 34 | P348M85-1615 | 1615 | 3.409 | 3.355 | 3.75 | WF-1 | 1 1/16 | 3/4 | 1 1/2 | 1 1/2 | — | — | 3 3/4 | 2.750 | 3 1/2 | 3.3 |
| 36 | P368M85-1615 | 1615 | 3.609 | 3.555 | 3.94 | WF-1 | 1 1/16 | 3/4 | 1 1/2 | 1 1/2 | — | — | 3 3/4 | 2.820 | 3 1/2 | 4.2 |
| 38 | P388M85-1615 | 1615 | 3.810 | 3.756 | 4.16 | WF-1 | 1 1/16 | 3/4 | 1 1/2 | 1 1/2 | — | — | 3 3/4 | 3.000 | 3 1/2 | 4.7 |
| 40 | P408M85-2012 | 2012 | 4.010 | 3.956 | 4.34 | WF-1 | 2 1/8 | 1 1/4 | 1 1/4 | 1 1/4 | — | — | 3 3/4 | 3.250 | 3 1/2 | 4.7 |
| 44 | P448M85-2012 | 2012 | 4.411 | 4.357 | 4.75 | WF-1 | 2 1/8 | 1 1/4 | 1 1/4 | 1 1/4 | — | — | 3 3/4 | 3.500 | 3 1/2 | 6.4 |
| 48 | P488M85-2012 | 2012 | 4.812 | 4.758 | 5.16 | WF-1 | 2 1/2 | 1 1/4 | 1 1/4 | 1 1/4 | — | — | 3 3/4 | 3.800 | 3 1/2 | 8.0 |
| 56 | P568M85-2517 | 2517 | 5.614 | 5.560 | 5.94 | WF-1 | 2 1/16 | 1 | 1 1/4 | 1 | — | — | 3 3/4 | 4.500 | 3 1/2 | 11.0 |
| 64 | P648M85-2517 | 2517 | 6.416 | 6.362 | 6.75 | WF-1 | 2 1/16 | 1 | 1 1/4 | 1 | — | — | 3 3/4 | 5.400 | 3 1/2 | 15.0 |
| 72 | P728M85-3020 | 3020 | 7.218 | 7.164 | 7.56 | WF-1 | 3 1/4 | 7/8 | 2 | 7/8 | — | — | 3 3/4 | 6.200 | 3 1/2 | 18.2 |
| 80 | P808M85-3020 | 3020 | 8.020 | 7.966 | 8.38 | WF-1 | 3 1/4 | 7/8 | 2 | 7/8 | — | — | 3 3/4 | 6.900 | 3 1/2 | 24.2 |
| 90 | P908M85-3020 | 3020 | 9.023 | 8.969 | — | W-1 | 3 3/4 | 7/8 | 2 | 7/8 | — | — | 3 3/4 | 7.630 | — | 31.9 |
| 112 | P1128M85-3020 | 3020 | 11.229 | 11.175 | — | W-3 | 3 3/4 | 7/8 | 2 | 7/8 | — | 6 1/4 | 3 3/4 | 9.880 | — | 34.6 |
| 144 | P1448M85-3535 | 3535 | 14.437 | 14.383 | — | W-3 | 3 5/16 | 1/2 | 3 1/2 | 1/2 | — | 7 | 3 3/4 | 12.880 | — | 49.6 |
| 192 | P1928M85-3535 | 3535 | 19.249 | 19.195 | — | W-3 | 3 5/16 | 1/2 | 3 1/2 | 1/2 | — | 7 | 3 3/4 | 17.630 | — | 81.4 |

* Weight Shown is for Sprocket Less Bushing.
 • Reverse Mount Only

+ The numbers (1=Solid, 2=Web, 3=Arms), within the "Type" indicates construction and the letter F indicates the sprocket has flanges.



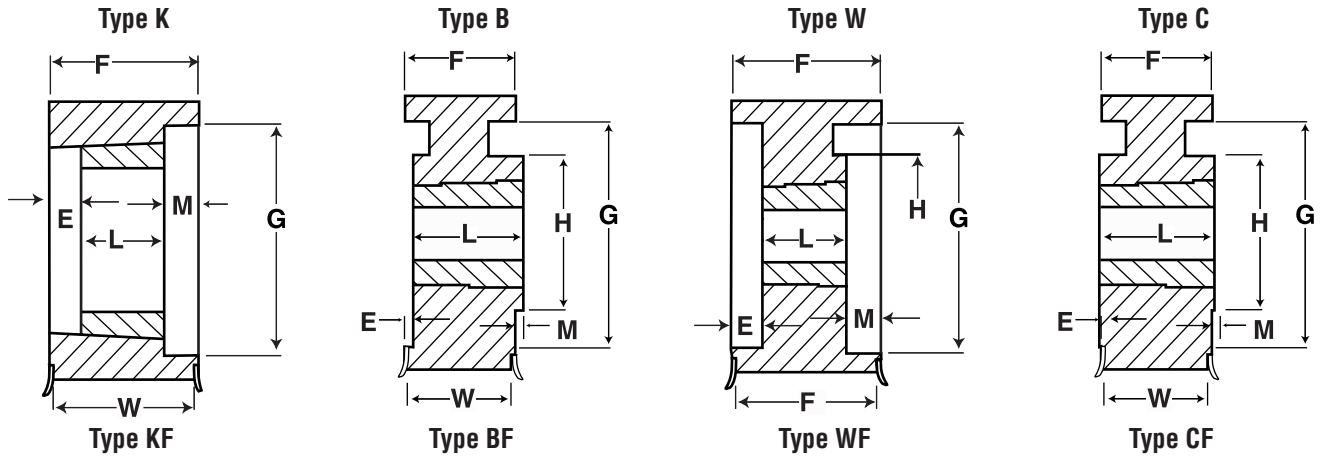
| QD 40mm (1.570 in.) Wide Belts (140M-40) | | | | | | | | | | | | | | | | | |
|--|----------------|------|--------|----------------|--------|------|---------------------------------|------------------------------|--------------------------------|------------------------------|-------------------------------|---|-------------------------------|--------|---------------------------------|------|----------------------|
| No. of Teeth | Catalog Number | Bore | P.D. | Diameter (in.) | | | Type + | Max. Bore | Dimensions (in.) | | | | | | | | Weight Approx. (lbs) |
| | | | | O.D. | Flange | | | | E | L | M | K | H | F | G | W | |
| 28 | P2814M40-SK | SK | 4.912 | 4.802 | 5.56 | ●E1F | 2 ⁵ / ₁₆ | ⁷ / ₁₆ | 1 ¹ / ₁₆ | ⁵ / ₁₆ | — | — | 2 ¹ / ₂ | 3.13 | 1 ¹³ / ₁₆ | 5.5 | |
| 29 | P2914M40-SK | SK | 5.088 | 4.978 | 5.56 | ●E1F | 2 ⁵ / ₁₆ | ⁷ / ₁₆ | 1 ¹ / ₁₆ | ⁵ / ₁₆ | — | — | 2 ¹ / ₂ | 3.13 | 1 ¹³ / ₁₆ | 6.5 | |
| 30 | P3014M40-SK | SK | 5.263 | 5.153 | 6.13 | D1F | 2 ⁵ / ₁₆ | ³ / ₁₆ | 1 ¹ / ₁₆ | ⁷ / ₁₆ | — | — | 2 ¹ / ₂ | 3.92 | 1 ¹³ / ₁₆ | 6.0 | |
| 32 | P3214M40-SK | SK | 5.614 | 5.504 | 6.13 | D1F | 2 ⁵ / ₁₆ | ³ / ₁₆ | 1 ¹ / ₁₆ | ⁷ / ₁₆ | ⁷ / ₁₆ | — | 2 ¹ / ₂ | 3.92 | 1 ¹³ / ₁₆ | 8.0 | |
| 34 | P3414M40-SK | SK | 5.965 | 5.855 | 6.50 | D1F | 2 ⁵ / ₁₆ | ³ / ₁₆ | 1 ¹ / ₁₆ | ⁷ / ₁₆ | ⁷ / ₁₆ | — | 2 ¹ / ₂ | 4.06 | 1 ¹³ / ₁₆ | 8.5 | |
| 36 | P3614M40-SF | SF | 6.316 | 6.206 | 6.81 | D1F | 2 ¹ / ₂ | ³ / ₁₆ | 2 | ⁵ / ₁₆ | ⁷ / ₁₆ | — | 2 ¹ / ₂ | 4.69 | 1 ¹³ / ₁₆ | 9.5 | |
| 38 | P3814M40-SF | SF | 6.667 | 6.557 | 7.16 | D1F | 2 ¹ / ₂ | ³ / ₁₆ | 2 | ⁵ / ₁₆ | ⁷ / ₁₆ | — | 2 ¹ / ₂ | 4.94 | 1 ¹³ / ₁₆ | 11.5 | |
| 40 | P4014M40-SF | SF | 7.018 | 6.909 | 7.50 | D1F | 2 ¹ / ₂ | ³ / ₁₆ | 2 | ⁵ / ₁₆ | ⁷ / ₁₆ | — | 2 ¹ / ₂ | 5.06 | 1 ¹³ / ₁₆ | 13.0 | |
| 44 | P4414M40-E | E | 7.720 | 7.610 | 8.22 | D1F | 3 ¹ / ₂ | ⁵ / ₁₆ | 2 ⁵ / ₁₆ | ¹ / ₈ | ¹ / ₄ | — | 2 ¹ / ₂ | 6.12 | 1 ¹³ / ₁₆ | 16.5 | |
| 48 | P4814M40-E | E | 8.421 | 8.311 | 8.94 | D1F | 3 ¹ / ₂ | ⁵ / ₁₆ | 2 ⁵ / ₁₆ | ¹ / ₈ | ¹ / ₄ | — | 2 ¹ / ₂ | 6.50 | 1 ¹³ / ₁₆ | 20.0 | |
| 52 | P5214M40-E | E | 9.123 | 9.013 | 9.69 | D1F | 3 ¹ / ₂ | ⁵ / ₁₆ | 2 ⁵ / ₁₆ | ¹ / ₈ | ¹ / ₄ | — | 2 ¹ / ₂ | 7.18 | 1 ¹³ / ₁₆ | 24.0 | |
| 56 | P5614M40-E | E | 9.825 | 9.715 | 10.38 | D1F | 3 ¹ / ₂ | ⁵ / ₁₆ | 2 ⁵ / ₁₆ | ¹ / ₈ | ¹ / ₄ | — | 2 ¹ / ₂ | 7.88 | 1 ¹³ / ₁₆ | 28.0 | |
| 60 | P6014M40-E | E | 10.527 | 10.417 | 11.06 | D1F | 3 ¹ / ₂ | ⁵ / ₁₆ | 2 ⁵ / ₁₆ | ¹ / ₈ | ¹ / ₄ | — | 2 ¹ / ₂ | 8.50 | 1 ¹³ / ₁₆ | 32.0 | |
| 64 | P6414M40-E | E | 11.229 | 11.119 | 11.75 | D2F | 3 ¹ / ₂ | ⁵ / ₁₆ | 2 ⁵ / ₁₆ | ¹ / ₈ | ¹ / ₄ | — | 2 ¹ / ₂ | 9.25 | 1 ¹³ / ₁₆ | 29.0 | |
| 68 | P6814M40-E | E | 11.930 | 11.820 | 12.50 | D2F | 3 ¹ / ₂ | ⁵ / ₁₆ | 2 ⁵ / ₁₆ | ¹ / ₈ | ¹ / ₄ | — | 2 ¹ / ₂ | 10.00 | 1 ¹³ / ₁₆ | 31.0 | |
| 72 | P7214M40-E | E | 12.632 | 12.522 | 13.19 | D2F | 3 ¹ / ₂ | ⁵ / ₁₆ | 2 ⁵ / ₁₆ | ¹ / ₈ | ¹ / ₄ | — | 2 ¹ / ₂ | 10.69 | 1 ¹³ / ₁₆ | 33.0 | |
| 80 | P8014M40-E | E | 14.036 | 13.926 | 14.63 | D2F | 3 ¹ / ₂ | ⁵ / ₁₆ | 2 ⁵ / ₁₆ | ¹ / ₈ | ¹ / ₄ | — | 2 ¹ / ₂ | 12.13 | 1 ¹³ / ₁₆ | 38.0 | |
| 90 | P9014M40-E | E | 15.790 | 15.680 | — | D3 | 3 ¹ / ₂ | ⁵ / ₁₆ | 2 ⁵ / ₁₆ | ¹ / ₈ | ¹ / ₄ | — | 2 ¹ / ₂ | 14.00 | — | 39.0 | |
| 112 | P11214M40-E | E | 19.650 | 19.540 | — | D3 | 3 ¹ / ₂ | ⁵ / ₁₆ | 2 ⁵ / ₁₆ | ¹ / ₈ | ¹ / ₄ | — | 2 ¹ / ₂ | 17.80 | — | 51.0 | |
| 144 | P14414M40-E | E | 25.264 | 25.154 | — | D3 | 3 ¹ / ₂ | ⁵ / ₁₆ | 2 ⁵ / ₁₆ | ¹ / ₈ | ¹ / ₄ | — | 2 ¹ / ₂ | 23.38 | — | 80.0 | |
| Taper Bushed 40mm (1.570 in.) Wide Belts (140M-40) | | | | | | | | | | | | | | | | | |
| 28 | P2814M40-2012 | 2012 | 4.912 | 4.802 | 5.56 | KF-1 | 2 ⁵ / ₁₆ | — | 1 ¹ / ₄ | ⁷ / ₈ | — | — | 2 ¹ / ₂ | 3.375 | 1 ¹³ / ₁₆ | 3.5 | |
| 29 | P2914M40-2012 | 2012 | 5.088 | 4.978 | 5.56 | KF-1 | 2 ⁵ / ₁₆ | — | 1 ¹ / ₄ | ⁷ / ₈ | — | — | 2 ¹ / ₂ | 3.375 | 1 ¹³ / ₁₆ | 3.9 | |
| 30 | P3014M40-2012 | 2012 | 5.263 | 5.153 | 6.13 | KF-1 | 2 ⁵ / ₁₆ | — | 1 ¹ / ₄ | ⁷ / ₈ | — | — | 2 ¹ / ₂ | 3.928 | 1 ¹³ / ₁₆ | 6.4 | |
| 32 | P3214M40-2012 | 2012 | 5.614 | 5.504 | 6.13 | KF-1 | 2 ⁵ / ₁₆ | — | 1 ¹ / ₄ | ⁷ / ₈ | — | — | 2 ¹ / ₂ | 3.928 | 1 ¹³ / ₁₆ | 8.0 | |
| 34 | P3414M40-2012 | 2012 | 5.965 | 5.855 | 6.50 | KF-1 | 2 ⁵ / ₁₆ | — | 1 ¹ / ₄ | ⁷ / ₈ | — | — | 2 ¹ / ₂ | 4.063 | 1 ¹³ / ₁₆ | 9.4 | |
| 36 | P3614M40-2517 | 2517 | 6.316 | 6.206 | 6.81 | KF-1 | 2 ¹¹ / ₁₆ | — | 1 ¹ / ₄ | ³ / ₈ | — | — | 2 ¹ / ₂ | 4.688 | 1 ¹³ / ₁₆ | 10.5 | |
| 38 | P3814M40-2517 | 2517 | 6.667 | 6.557 | 7.16 | KF-1 | 2 ¹¹ / ₁₆ | — | 1 ¹ / ₄ | ³ / ₈ | — | — | 2 ¹ / ₂ | 4.813 | 1 ¹³ / ₁₆ | 12.2 | |
| 40 | P4014M40-2517 | 2517 | 7.018 | 6.908 | 7.50 | KF-1 | 2 ¹¹ / ₁₆ | — | 1 ¹ / ₄ | ³ / ₈ | — | — | 2 ¹ / ₂ | 5.188 | 1 ¹³ / ₁₆ | 14.2 | |
| 44 | P4414M40-2517 | 2517 | 7.720 | 7.610 | 8.22 | KF-1 | 2 ¹¹ / ₁₆ | — | 1 ¹ / ₄ | ³ / ₈ | — | — | 2 ¹ / ₂ | 6.125 | 1 ¹³ / ₁₆ | 17.6 | |
| 48 | P4814M40-2517 | 2517 | 8.421 | 8.311 | 8.94 | KF-1 | 2 ¹¹ / ₁₆ | — | 1 ¹ / ₄ | ³ / ₈ | — | — | 2 ¹ / ₂ | 6.500 | 1 ¹³ / ₁₆ | 22.0 | |
| 52 | P5214M40-2517 | 2517 | 9.123 | 9.013 | 9.69 | KF-1 | 2 ¹¹ / ₁₆ | — | 1 ¹ / ₄ | ³ / ₈ | — | — | 2 ¹ / ₂ | 7.188 | 1 ¹³ / ₁₆ | 26.5 | |
| 56 | P5614M40-2517 | 2517 | 9.825 | 9.715 | 10.38 | WF-2 | 2 ¹¹ / ₁₆ | — | 1 ¹ / ₄ | ³ / ₈ | 4 ⁷ / ₈ | — | 2 ¹ / ₂ | 7.875 | 1 ¹³ / ₁₆ | 21.5 | |
| 60 | P6014M40-3020 | 3020 | 10.527 | 10.417 | 11.06 | WF-2 | 3 ¹ / ₄ | — | 2 | ¹ / ₈ | 6 ¹ / ₄ | — | 2 ¹ / ₂ | 8.500 | 1 ¹³ / ₁₆ | 33.7 | |
| 64 | P6414M40-3020 | 3020 | 11.229 | 11.119 | 11.75 | WF-2 | 3 ¹ / ₄ | — | 2 | ¹ / ₈ | 6 ¹ / ₄ | — | 2 ¹ / ₂ | 9.250 | 1 ¹³ / ₁₆ | 36.5 | |
| 68 | P6814M40-3020 | 3020 | 11.930 | 11.820 | 12.50 | WF-2 | 3 ¹ / ₄ | — | 2 | ¹ / ₈ | 6 ¹ / ₄ | — | 2 ¹ / ₂ | 10.000 | 1 ¹³ / ₁₆ | 39.3 | |
| 72 | P7214M40-3020 | 3020 | 12.632 | 12.522 | 13.19 | WF-2 | 3 ¹ / ₄ | — | 2 | ¹ / ₈ | 6 ¹ / ₄ | — | 2 ¹ / ₂ | 10.688 | 1 ¹³ / ₁₆ | 42.6 | |
| 80 | P8014M40-3020 | 3020 | 14.036 | 13.926 | 14.63 | WF-3 | 3 ¹ / ₄ | — | 2 | ¹ / ₈ | 6 ¹ / ₄ | — | 2 ¹ / ₂ | 12.125 | 1 ¹³ / ₁₆ | 38.8 | |
| 90 | P9014M40-3020 | 3020 | 15.790 | 15.680 | — | W-3 | 3 ¹ / ₄ | — | 2 | ¹ / ₈ | 6 ¹ / ₄ | — | 2 ¹ / ₂ | 13.563 | — | 44.5 | |
| 112 | P11214M40-3020 | 3020 | 19.650 | 19.540 | — | W-3 | 3 ¹ / ₄ | — | 2 | ¹ / ₈ | 6 ¹ / ₄ | — | 2 ¹ / ₂ | 17.375 | — | 64.9 | |
| 144 | P14414M40-3020 | 3020 | 25.264 | 25.154 | — | W-3 | 3 ¹ / ₄ | — | 2 | ¹ / ₈ | 6 ¹ / ₄ | — | 2 ¹ / ₂ | 23.000 | — | 97.4 | |

* Weight Shown is for Sprocket Less Bushing.
 • Reverse Mount Only

+ The numbers (1=Solid, 2=Web, 3=Arms), within the "Type" indicates construction and the letter F indicates the sprocket has flanges.

High Torque Sprockets 14mm

Martin



| QD 55mm (2.17 in.) Wide Belts (14M-55) | | | | | | | | | | | | | | | | |
|--|----------------|------|--------|----------------|--------|--------|-----------|------------------|----|----|---|----|----|--------|----|-----------------------|
| No. of Teeth | Catalog Number | Bore | P.D. | Diameter (in.) | | Type + | Max. Bore | Dimensions (in.) | | | | | | | | Weight* Approx. (lbs) |
| | | | | O.D. | Flange | | | E | L | M | K | H | F | G | W | |
| 28 | P2814M55-SK | SK | 4.912 | 4.808 | 5.56 | ●E1F | 2% | 1½ | 1% | ¾ | — | — | 2% | 3.13 | 2⅞ | 7.0 |
| 29 | P2914M55-SK | SK | 5.088 | 4.983 | 5.56 | ●E1F | 2% | 1½ | 1% | ¾ | — | — | 2% | 3.13 | 2⅞ | 8.0 |
| 30 | P3014M55-SK | SK | 5.263 | 5.157 | 6.13 | A1F | 2% | ¾ | 1% | ¾ | ¾ | — | 2% | 3.92 | 2⅞ | 7.5 |
| 32 | P3214M55-SK | SK | 5.614 | 5.507 | 6.13 | A1F | 2% | ¾ | 1% | ¾ | ¾ | — | 2% | 3.92 | 2⅞ | 9.0 |
| 34 | P3414M55-SK | SK | 5.965 | 5.858 | 6.50 | A1F | 2% | ¾ | 1% | ¾ | ¾ | — | 2% | 4.06 | 2⅞ | 10.0 |
| 36 | P3614M55-SF | SF | 6.316 | 6.208 | 6.81 | A1F | 2% | ¾ | 2 | ¾ | ¾ | — | 2% | 4.69 | 2⅞ | 11.0 |
| 38 | P3814M55-SF | SF | 6.667 | 6.559 | 7.16 | A1F | 2% | ¾ | 2 | ¾ | ¾ | — | 2% | 4.94 | 2⅞ | 13.0 |
| 40 | P4014M55-SF | SF | 7.018 | 6.909 | 7.50 | A1F | 2% | ¾ | 2 | ¾ | ¾ | — | 2% | 5.06 | 2⅞ | 15.0 |
| 44 | P4414M55-E | E | 7.720 | 7.610 | 8.22 | D1F | 3½ | ⅞ | 2% | ⅞ | ⅞ | — | 2% | 6.12 | 2⅞ | 19.0 |
| 48 | P4814M55-E | E | 8.421 | 8.311 | 8.94 | D1F | 3½ | ⅞ | 2% | ⅞ | ⅞ | — | 2% | 6.50 | 2⅞ | 23.0 |
| 52 | P5214M55-E | E | 9.123 | 9.013 | 9.69 | D1F | 3½ | ⅞ | 2% | ⅞ | ⅞ | — | 2% | 7.18 | 2⅞ | 27.0 |
| 56 | P5614M55-E | E | 9.825 | 9.715 | 10.38 | D1F | 3½ | ⅞ | 2% | ⅞ | ⅞ | — | 2% | 7.88 | 2⅞ | 32.0 |
| 60 | P6014M55-E | E | 10.527 | 10.417 | 11.06 | D1F | 3½ | ⅞ | 2% | ⅞ | ⅞ | — | 2% | 8.50 | 2⅞ | 36.0 |
| 64 | P6414M55-F | F | 11.229 | 11.119 | 11.75 | C1F | 3½ | ¾ | 3% | 0 | ¾ | — | 2% | 9.25 | 2⅞ | 53.0 |
| 68 | P6814M55-F | F | 11.930 | 11.820 | 12.50 | D2F | 4 | ¾ | 3% | 0 | ¾ | — | 2% | 10.00 | 2⅞ | 43.0 |
| 72 | P7214M55-F | F | 12.632 | 12.522 | 13.19 | C2F | 4 | ¾ | 3% | 0 | ¾ | — | 2% | 10.69 | 2⅞ | 49.0 |
| 80 | P8014M55-F | F | 14.036 | 13.926 | 14.63 | C2F | 4 | ¾ | 3% | 0 | ¾ | — | 2% | 12.13 | 2⅞ | 54.0 |
| 90 | P9014M55-F | F | 15.790 | 15.680 | — | C3 | 4 | ¾ | 3% | 0 | ¾ | — | 2% | 14.00 | — | 55.0 |
| 112 | P11214M55-F | F | 19.650 | 19.540 | — | C3 | 4 | ¾ | 3% | 0 | ¾ | — | 2% | 17.88 | — | 71.0 |
| 144 | P14414M55-F | F | 25.264 | 25.154 | — | C3 | 4 | ¾ | 3% | 0 | ¾ | — | 2% | 23.38 | — | 106.0 |
| 168 | P16814M55-F | F | 29.475 | 29.365 | — | C3 | 4 | ¾ | 3% | 0 | ¾ | — | 2% | 27.56 | — | 124.0 |
| 192 | P19214M55-F | F | 33.686 | 33.576 | — | C3 | 4 | ¾ | 3% | 0 | ¾ | — | 2% | 31.81 | — | 146.0 |
| 216 | P21614M55-F | F | 37.896 | 37.786 | — | C3 | 4 | ¾ | 3% | 0 | ¾ | — | 2% | 35.75 | — | 205.0 |
| Taper Bushed 55mm (2.17 in.) Wide Belts (14M-55) | | | | | | | | | | | | | | | | |
| 28 | P2814M55-2012 | 2012 | 4.912 | 4.802 | 5.56 | KF-1 | 2% | — | 1¼ | 1½ | — | — | 2% | 3.375 | 2⅞ | 7.4 |
| 29 | P2914M55-2012 | 2012 | 5.088 | 4.978 | 5.56 | KF-1 | 2% | — | 1¼ | 1½ | — | — | 2% | 3.375 | 2⅞ | 8.4 |
| 30 | P3014M55-2517 | 2517 | 5.263 | 5.153 | 6.13 | KF-1 | 2⅞ | — | 1¾ | 1 | — | — | 2% | 3.928 | 2⅞ | 7.2 |
| 32 | P3214M55-2517 | 2517 | 5.614 | 5.504 | 6.13 | KF-1 | 2⅞ | — | 1¾ | 1 | — | — | 2% | 3.928 | 2⅞ | 9.3 |
| 34 | P3414M55-2517 | 2517 | 5.965 | 5.855 | 6.50 | KF-1 | 2⅞ | — | 1¾ | 1 | — | — | 2% | 4.063 | 2⅞ | 11.2 |
| 36 | P3614M55-2517 | 2517 | 6.316 | 6.206 | 6.81 | KF-1 | 2⅞ | — | 1¾ | 1 | — | — | 2% | 4.688 | 2⅞ | 12.4 |
| 38 | P3814M55-2517 | 2517 | 6.667 | 6.557 | 7.16 | KF-1 | 2⅞ | — | 1¾ | 1 | — | — | 2% | 4.813 | 2⅞ | 14.4 |
| 40 | P4014M55-2517 | 2517 | 7.018 | 6.908 | 7.50 | KF-1 | 2⅞ | — | 1¾ | 1 | — | — | 2% | 5.188 | 2⅞ | 16.7 |
| 44 | P4414M55-2517 | 2517 | 7.720 | 7.610 | 8.22 | KF-1 | 2⅞ | — | 1¾ | 1 | — | — | 2% | 6.125 | 2⅞ | 19.9 |
| 48 | P4814M55-3020 | 3020 | 8.421 | 8.311 | 8.94 | KF-1 | 3% | — | 2 | ¾ | — | — | 2% | 6.500 | 2⅞ | 29.2 |
| 52 | P5214M55-3020 | 3020 | 9.123 | 9.013 | 9.69 | KF-1 | 3% | — | 2 | ¾ | — | — | 2% | 7.188 | 2⅞ | 34.5 |
| 56 | P5614M55-3020 | 3020 | 9.825 | 9.715 | 10.38 | KF-1 | 3% | — | 2 | ¾ | — | — | 2% | 7.875 | 2⅞ | 40.1 |
| 60 | P6014M55-3020 | 3020 | 10.527 | 10.417 | 11.06 | WF-2 | 3% | — | 2 | ¾ | — | 6¼ | 2% | 8.500 | 2⅞ | 46.4 |
| 64 | P6414M55-3020 | 3020 | 11.229 | 11.119 | 11.75 | WF-2 | 3% | — | 2 | ¾ | — | 6¼ | 2% | 9.250 | 2⅞ | 52.7 |
| 68 | P6814M55-3020 | 3020 | 11.930 | 11.820 | 12.50 | WF-2 | 3% | — | 2 | ¾ | — | 6¼ | 2% | 10.000 | 2⅞ | 45.5 |
| 72 | P7214M55-3020 | 3020 | 12.632 | 12.522 | 13.19 | WF-2 | 3% | — | 2 | ¾ | — | 6¼ | 2% | 10.688 | 2⅞ | 49.5 |
| 80 | P8014M55-3020 | 3020 | 14.036 | 13.926 | 14.63 | WF-3 | 3% | — | 2 | ¾ | — | 6¼ | 2% | 12.125 | 2⅞ | 45.2 |
| 90 | P9014M55-3020 | 3020 | 15.790 | 15.680 | — | W-3 | 3% | — | 2 | ¾ | — | 6¼ | 2% | 13.563 | — | 46.1 |
| 112 | P11214M55-3020 | 3020 | 19.650 | 19.540 | — | W-3 | 3% | — | 2 | ¾ | — | 6¼ | 2% | 17.375 | — | 69.8 |
| 144 | P14414M55-3020 | 3020 | 25.264 | 25.154 | — | W-3 | 3% | — | 2 | ¾ | — | 6¼ | 2% | 23.000 | — | 104.4 |
| 192 | P19214M55-3535 | 3535 | 33.686 | 33.576 | — | C-3 | 3⅞ | 0.38 | 3½ | ¾ | — | 7 | 2% | 31.375 | — | 104.2 |

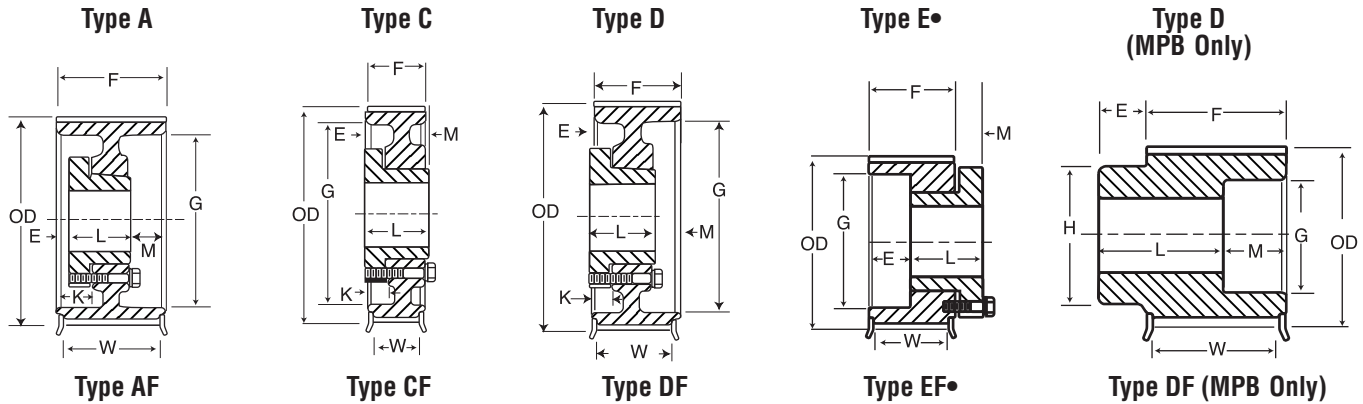
* Weight Shown is for Sprocket Less Bushing.

• Reverse Mount Only

+ The numbers (1=Solid, 2=Web, 3=Arms), within the "Type" indicates construction and the letter F indicates the sprocket has flanges.

PULLEYS

PULLEYS



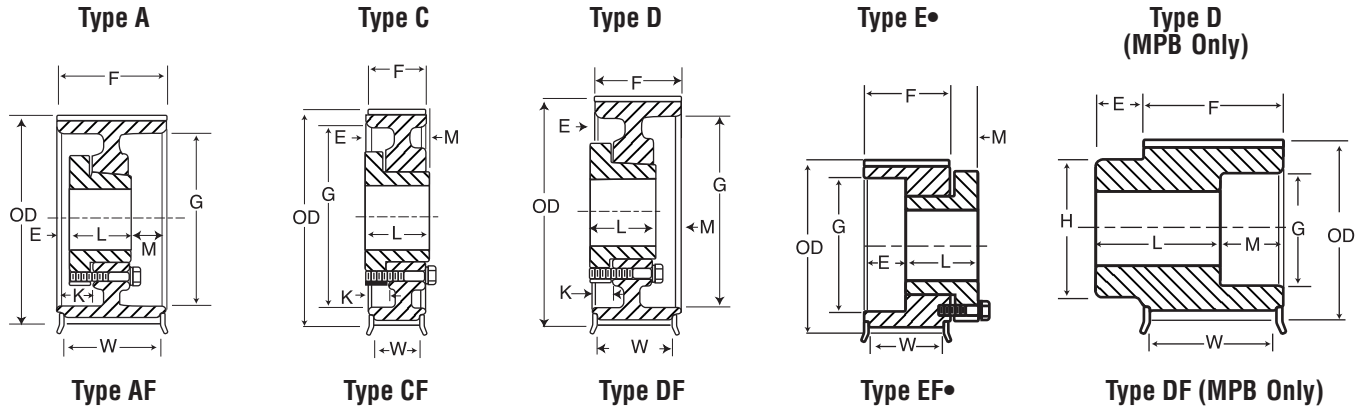
| MPB 85mm (3.35in.) Wide Belts (14M-85) | | | | | | | | | | | | | | | | |
|---|----------------|-------|--------|----------------|--------|--------|-----------|------------------|-------|---------|--------|---------|---|---------|-----------------------|-------|
| No. of Teeth | Catalog Number | Bore | P.D. | Diameter (in.) | | Type + | Max. Bore | Dimensions (in.) | | | | | | | Weight* Approx. (lbs) | |
| | | | | O.D. | Flange | | | E | L | M | K | H | F | G | | W |
| 28 | P2814M85-MPB | 1 1/4 | 4.912 | 4.802 | 5.56 | D1F | 2 5/16 | 1 | 4 | 1 | — | 3 1/16 | 4 | 3 3/8 | 3 1/16 | 18 |
| 29 | P2914M85-MPB | 1 1/4 | 5.088 | 4.983 | 5.56 | D1F | 2 5/16 | 1 | 4 | 1 | — | 3 1/16 | 4 | 3 3/8 | 3 1/16 | 19.4 |
| 30 | P3014M85-MPB | 1 1/4 | 5.263 | 5.157 | 6.13 | D1F | 2 1/2 | 1 | 4 | 1 | — | 4 3/64 | 4 | 3 29/32 | 3 1/16 | 20.6 |
| 32 | P3214M85-MPB | 1 1/4 | 5.614 | 5.507 | 6.13 | D1F | 2 1/2 | 1 | 4 | 1 | — | 4 3/64 | 4 | 3 29/32 | 3 1/16 | 23.4 |
| 34 | P3414M85-MPB | 1 1/4 | 5.965 | 5.858 | 6.50 | D1F | 2 1 1/16 | 1 | 4 | 1 | — | 4 31/64 | 4 | 4 1/16 | 3 1/16 | 27.4 |
| QD 85mm (3.35in.) Wide Belts (14M-85) | | | | | | | | | | | | | | | | |
| 30 | P3014M85-SK | SK | 5.293 | 5.157 | 6.13 | A1F | 2 5/8 | 3/4 | 1 1/8 | 1 1/8 | 1 1/8 | — | 4 | 3.92 | 3 1/16 | 10 |
| 32 | P3214M85-SK | SK | 5.614 | 5.507 | 6.13 | A1F | 2 5/8 | 3/4 | 1 1/8 | 1 1/8 | 1 1/8 | — | 4 | 3.92 | 3 1/16 | 13 |
| 34 | P3414M85-SK | SK | 5.965 | 5.853 | 6.13 | A1F | 2 5/8 | 3/4 | 1 1/8 | 1 1/8 | 1 1/8 | — | 4 | 4.06 | 3 1/16 | 14 |
| 36 | P3614M85-SF | SF | 6.316 | 6.206 | 6.81 | A1F | 2 5/8 | 3/4 | 2 | 1 1/4 | 1 1/8 | — | 4 | 4.69 | 3 1/16 | 15 |
| 38 | P3814M85-SF | SF | 6.667 | 6.557 | 7.16 | A1F | 2 5/8 | 3/4 | 2 | 1 1/4 | 1 1/8 | — | 4 | 4.94 | 3 1/16 | 18 |
| 40 | P4014M85-SF | SF | 7.018 | 6.909 | 7.50 | A1F | 2 5/8 | 3/4 | 2 | 1 1/4 | 1 1/8 | — | 4 | 5.06 | 3 1/16 | 20 |
| 44 | P4414M85-E | E | 7.720 | 7.610 | 8.22 | A1F | 3 1/2 | 5/16 | 2 3/8 | 1 1/16 | 1 3/16 | — | 4 | 6.12 | 3 1/16 | 25 |
| 48 | P4814M85-E | E | 8.421 | 8.311 | 8.94 | A1F | 3 1/2 | 5/16 | 2 3/8 | 1 1/16 | 1 3/16 | — | 4 | 6.50 | 3 1/16 | 29 |
| 52 | P5214M85-E | E | 9.123 | 9.013 | 9.69 | A1F | 3 1/2 | 5/16 | 2 3/8 | 1 1/16 | 1 3/16 | — | 4 | 7.18 | 3 1/16 | 32 |
| 56 | P5614M85-F | F | 9.825 | 9.715 | 10.38 | D1F | 4 | 1/4 | 3 3/8 | 3/8 | 3/4 | — | 4 | 7.88 | 3 1/16 | 46 |
| 60 | P6014M85-F | F | 10.527 | 10.417 | 11.06 | D1F | 4 | 1/4 | 3 3/8 | 3/8 | 3/4 | — | 4 | 8.50 | 3 1/16 | 51 |
| 64 | P6414M85-F | F | 11.229 | 11.119 | 11.75 | D1F | 4 | 1/4 | 3 3/8 | 3/8 | 3/4 | — | 4 | 9.25 | 3 1/16 | 62 |
| 68 | P6814M85-F | F | 11.930 | 11.820 | 12.50 | D2F | 4 | 1/4 | 3 3/8 | 3/8 | 3/4 | — | 4 | 10.00 | 3 1/16 | 51 |
| 72 | P7214M85-F | F | 12.632 | 12.522 | 13.19 | D2F | 4 | 1/4 | 3 3/8 | 3/8 | 3/4 | — | 4 | 10.69 | 3 1/16 | 60 |
| 80 | P8014M85-F | F | 14.036 | 13.926 | 14.63 | D2F | 4 | 1/4 | 3 3/8 | 3/8 | 3/4 | — | 4 | 12.13 | 3 1/16 | 66 |
| 90 | P9014M85-F | F | 15.790 | 15.680 | — | D3 | 4 | 1/4 | 3 3/8 | 3/8 | 3/4 | — | 4 | 14.00 | — | 69 |
| 112 | P11214M85-F | F | 19.650 | 19.540 | — | D3 | 4 | 1/4 | 3 3/8 | 3/8 | 3/4 | — | 4 | 17.88 | — | 89 |
| 144 | P14414M85-F | F | 25.264 | 25.154 | — | D3 | 4 | 1/4 | 3 3/8 | 3/8 | 3/4 | — | 4 | 23.38 | — | 127 |
| 168 | P16814M85-J | J | 29.475 | 29.365 | — | D3 | 4 1/2 | 1/4 | 3 3/8 | 3/8 | 3/4 | — | 4 | 27.56 | — | 148 |
| 192 | P19214M85-J | J | 33.686 | 33.576 | — | D3 | 4 1/2 | 1/4 | 3 3/8 | 3/8 | 3/4 | — | 4 | 31.81 | — | 177 |
| 216 | P21614M85-J | J | 37.896 | 37.786 | — | D3 | 4 1/2 | 1/4 | 3 3/8 | 3/8 | 3/4 | — | 4 | 35.75 | — | 251 |
| Taper Bushed 85mm (3.35in.) Wide Belts (14M-85) | | | | | | | | | | | | | | | | |
| 30 | P3014M85-2517 | 2517 | 5.263 | 5.153 | 6.13 | WF-1 | 2 1/2 | 1/2 | 1 1/4 | 1 1/4 | — | — | 4 | 3.928 | 3 1/16 | 9.7 |
| 32 | P3214M85-2517 | 2517 | 5.614 | 5.504 | 6.13 | WF-1 | 2 1 1/16 | 7/8 | 1 1/4 | 1 1/8 | — | — | 4 | 3.928 | 3 1/16 | 12.7 |
| 34 | P3414M85-2517 | 2517 | 5.965 | 5.855 | 6.50 | WF-1 | 2 1 1/16 | 7/8 | 1 1/4 | 1 1/8 | — | — | 4 | 4.063 | 3 1/16 | 15.3 |
| 36 | P3614M85-3020 | 3020 | 6.316 | 6.206 | 6.81 | WF-1 | 3 1/4 | 1 1/32 | 2 | 1 1 1/2 | — | — | 4 | 4.688 | 3 1/16 | 19.3 |
| 38 | P3814M85-3020 | 3020 | 6.667 | 6.557 | 7.16 | WF-1 | 3 1/4 | 1 1/32 | 2 | 1 1 1/2 | — | — | 4 | 4.813 | 3 1/16 | 21.9 |
| 40 | P4014M85-3020 | 3020 | 7.018 | 6.908 | 7.50 | WF-1 | 3 1/4 | 1 1/32 | 2 | 1 1 1/2 | — | — | 4 | 5.063 | 3 1/16 | 25.1 |
| 44 | P4414M85-3020 | 3020 | 7.720 | 7.610 | 8.22 | WF-1 | 3 1/4 | 1 1/32 | 2 | 1 1 1/2 | — | — | 4 | 6.125 | 3 1/16 | 28.4 |
| 48 | P4814M85-3020 | 3020 | 8.421 | 8.311 | 8.94 | WF-1 | 3 1/4 | 1 1/32 | 2 | 1 1 1/2 | — | — | 4 | 6.500 | 3 1/16 | 35.4 |
| 52 | P5214M85-3535 | 3535 | 9.123 | 9.013 | 9.69 | KF-1 | 3 1 1/16 | — | 3 1/2 | 1/2 | — | — | 4 | 7.188 | 3 1/16 | 42.9 |
| 56 | P5614M85-3535 | 3535 | 9.825 | 9.715 | 10.38 | KF-1 | 3 1 1/16 | — | 3 1/2 | 1/2 | — | — | 4 | 7.875 | 3 1/16 | 52.4 |
| 60 | P6014M85-3535 | 3535 | 10.527 | 10.417 | 11.06 | KF-1 | 3 1 1/16 | — | 3 1/2 | 1/2 | — | — | 4 | 8.500 | 3 1/16 | 62.7 |
| 64 | P6414M85-3535 | 3535 | 11.229 | 11.119 | 11.75 | KF-1 | 3 1 1/16 | — | 3 1/2 | 1/2 | — | — | 4 | 9.250 | 3 1/16 | 73.6 |
| 68 | P6814M85-3535 | 3535 | 11.930 | 11.820 | 12.50 | KF-1 | 3 1 1/16 | — | 3 1/2 | 1/2 | — | — | 4 | 10.000 | 3 1/16 | 64.2 |
| 72 | P7214M85-3535 | 3535 | 12.632 | 12.522 | 13.19 | KF-1 | 3 1 1/16 | — | 3 1/2 | 1/2 | — | — | 4 | 10.688 | 3 1/16 | 97.4 |
| 80 | P8014M85-3535 | 3535 | 14.036 | 13.926 | 14.63 | WF-2 | 3 1 1/16 | — | 3 1/2 | 1/2 | — | — | 4 | 12.125 | 3 1/16 | 68.4 |
| 90 | P9014M85-3535 | 3535 | 15.790 | 15.680 | — | W-3 | 3 1 1/16 | — | 3 1/2 | 1/2 | — | 7 | 4 | 13.563 | — | 69.1 |
| 112 | P11214M85-3535 | 3535 | 19.650 | 19.540 | — | W-3 | 3 1 1/16 | — | 3 1/2 | 1/2 | — | 7 | 4 | 17.375 | — | 85.7 |
| 144 | P14414M85-4040 | 4040 | 25.264 | 25.154 | — | W-3 | 4 7/16 | — | 4 | — | — | 8 1/2 | 4 | 23.000 | — | 131.6 |
| 168 | P16814M85-4040 | 4040 | 29.475 | 29.365 | — | W-3 | 4 7/16 | — | 4 | — | — | 8 1/2 | 4 | 27.250 | — | 146.1 |
| 192 | P19214M85-4040 | 4040 | 33.686 | 33.576 | — | W-3 | 4 7/16 | — | 4 | — | — | 8 1/2 | 4 | 31.375 | — | 161.4 |

* Weight Shown is for Sprocket Less Bushing.
• Reverse Mount Only

+ The numbers (1=Solid, 2=Web, 3=Arms), within the "Type" indicates construction and the letter F indicates the sprocket has flanges.

High Torque Sprockets 14mm

Martin

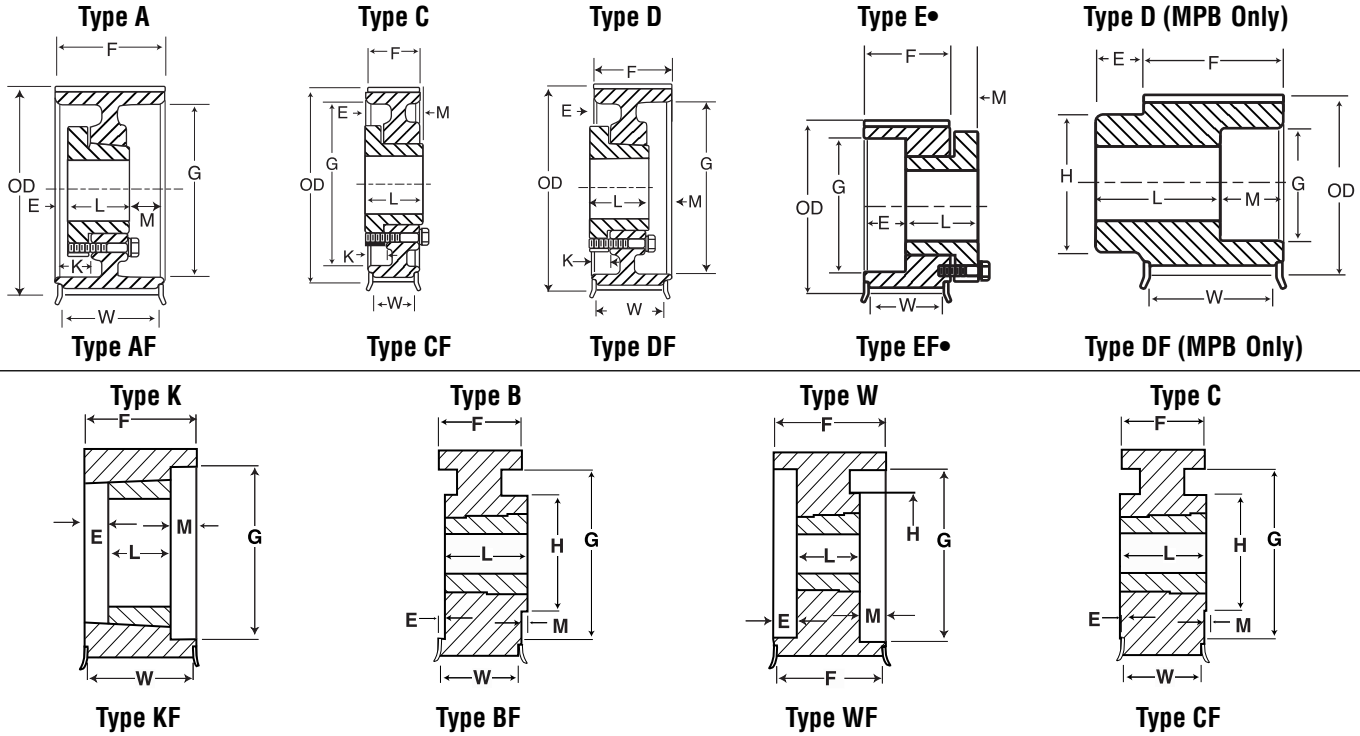


| MPB 115mm (4.53 in.) Wide Belts (14M-115) | | | | | | | | | | | | | | | | |
|--|-----------------|------|--------|----------------|--------|--------|-----------|------------------|-------|--------|--------|---------|-----|--------|-----------------------|-------|
| No. of Teeth | Catalog Number | Bore | P.D. | Diameter (in.) | | Type + | Max. Bore | Dimensions (in.) | | | | | | | Weight* Approx. (lbs) | |
| | | | | O.D. | Flange | | | E | L | M | K | H | F | G | | W |
| 28 | P2814M115-MPB | 1/4 | 4.912 | 4.808 | 5.56 | D1F | 2 1/16 | 1/4 | 5 | 1 1/2 | — | 3 1/16 | 5/4 | 3/8 | 4 1/16 | 23.2 |
| 29 | P2914M115-MPB | 1/4 | 5.088 | 4.983 | 5.56 | D1F | 2 1/16 | 1/4 | 5 | 1 1/2 | — | 3 1/16 | 5/4 | 3/8 | 4 1/16 | 24.8 |
| 30 | P3014M115-MPB | 1/4 | 5.263 | 5.157 | 6.13 | D1F | 2 1/2 | 1 1/4 | 5 | 1 1/2 | — | 4 3/64 | 5/4 | 3 3/32 | 4 1/16 | 26.4 |
| 32 | P3214M115-MPB | 1/4 | 5.614 | 5.507 | 6.13 | D1F | 2 1/2 | 1 1/4 | 5 | 1 1/2 | — | 4 3/64 | 5/4 | 3 3/32 | 4 1/16 | 30.8 |
| 34 | P3414M115-MPB | 1/4 | 5.965 | 5.858 | 6.50 | D1F | 2 11/16 | 1 1/4 | 5 | 1 1/2 | — | 4 31/64 | 5/4 | 4 1/16 | 4 1/16 | 35.2 |
| 36 | P3614M115-MPB | 1/4 | 6.316 | 6.208 | 6.81 | D1F | 3 | 1 1/4 | 5 | 1 1/2 | — | 4 7/8 | 5/4 | 4 1/16 | 4 1/16 | 38.8 |
| 38 | P3814M115-MPB | 1/4 | 6.667 | 6.559 | 7.16 | D1F | 3 1/4 | 1 1/4 | 5 | 1 1/2 | — | 5 11/64 | 5/4 | 4 1/16 | 4 1/16 | 44.4 |
| 40 | P4014M115-MPB | 1/4 | 7.018 | 6.909 | 7.50 | D1F | 3 3/8 | 1 1/4 | 5 | 1 1/2 | — | 5 1/8 | 5/4 | 5 1/16 | 4 1/16 | 50 |
| QD 115mm (4.53 in.) Wide Belts (14M-115) | | | | | | | | | | | | | | | | |
| 30 | P3014M115-SK | 1/4 | 5.263 | 5.157 | 6.13 | A1F | 2 1/4 | 1 1/2 | 1 1/2 | 2 | 2 | — | 5/4 | 3.92 | 4 1/16 | 12 |
| 32 | P3214M115-SK | 1/4 | 5.614 | 5.507 | 6.13 | A1F | 2 1/4 | 1 1/2 | 1 1/2 | 2 | 2 | — | 5/4 | 3.92 | 4 1/16 | 16 |
| 34 | P3414M115-SK | 1/4 | 5.965 | 5.858 | 6.50 | A1F | 2 1/2 | 1 1/2 | 1 1/2 | 2 | 2 | — | 5/4 | 4.06 | 4 1/16 | 17 |
| 36 | P3614M115-SF | 1/4 | 6.316 | 6.208 | 6.81 | A1F | 3 | 1 1/2 | 2 | 1 1/2 | 2 | — | 5/4 | 4.69 | 4 1/16 | 18 |
| 38 | P3814M115-SF | 1/4 | 6.667 | 6.559 | 7.16 | A1F | 3 | 1 1/2 | 2 | 1 1/2 | 2 | — | 5/4 | 4.94 | 4 1/16 | 22 |
| 40 | P4014M115-SF | 1/4 | 7.018 | 6.909 | 7.50 | A1F | 3 | 1 1/2 | 2 | 1 1/2 | 2 | — | 5/4 | 5.06 | 4 1/16 | 25 |
| 44 | P4414M115-E | E | 7.720 | 7.610 | 8.22 | A1F | 3 1/2 | 1 1/8 | 2 1/2 | 1 1/16 | 1 1/8 | — | 5/4 | 6.12 | 4 1/16 | 30 |
| 48 | P4814M115-E | E | 8.421 | 8.311 | 8.94 | A1F | 4 | 1 1/8 | 2 1/2 | 1 1/16 | 1 1/8 | — | 5/4 | 6.50 | 4 1/16 | 35 |
| 52 | P5214M115-F | F | 9.123 | 9.013 | 9.69 | A1F | 4 | 3/8 | 3 1/2 | 1 1/4 | 1 1/8 | — | 5/4 | 7.18 | 4 1/16 | 42 |
| 56 | P5614M115-F | F | 9.825 | 9.715 | 10.38 | A1F | 4 | 3/8 | 3 1/2 | 1 1/4 | 1 1/8 | — | 5/4 | 7.88 | 4 1/16 | 53 |
| 60 | P6014M115-F | F | 10.527 | 10.417 | 11.06 | A1F | 4 1/2 | 3/8 | 3 1/2 | 1 1/4 | 1 1/8 | — | 5/4 | 8.50 | 4 1/16 | 60 |
| 64 | P6414M115-J | J | 11.229 | 11.119 | 11.75 | D1F | 4 1/2 | 3/8 | 4 1/2 | 1 1/8 | 1 | — | 5/4 | 9.25 | 4 1/16 | 76 |
| 68 | P6814M115-J | J | 11.930 | 11.820 | 12.50 | D1F | 4 1/2 | 3/8 | 4 1/2 | 1 1/8 | 1 | — | 5/4 | 10.00 | 4 1/16 | 83 |
| 72 | P7214M115-J | J | 12.632 | 12.522 | 13.19 | D1F | 4 1/2 | 3/8 | 4 1/2 | 1 1/8 | 1 | — | 5/4 | 10.69 | 4 1/16 | 99 |
| 80 | P8014M115-J | J | 14.036 | 13.926 | 14.63 | D2F | 4 1/2 | 3/8 | 4 1/2 | 1 1/8 | 1 | — | 5/4 | 12.13 | 4 1/16 | 87 |
| 90 | P9014M115-J | J | 15.790 | 15.680 | — | D2 | 4 1/2 | 3/8 | 4 1/2 | 1 1/8 | 1 | — | 5/4 | 14.00 | — | 95 |
| 112 | P11214M115-J | J | 19.650 | 19.540 | — | D3 | 4 1/2 | 3/8 | 4 1/2 | 1 1/8 | 1 | — | 5/4 | 17.88 | — | 114 |
| 144 | P14414M115-J | J | 25.264 | 25.154 | — | D3 | 4 1/2 | 3/8 | 4 1/2 | 1 1/8 | 1 | — | 5/4 | 23.38 | — | 166 |
| 168 | P16814M115-M | M | 29.475 | 29.365 | — | D3 | 5 1/2 | 3/8 | 4 1/2 | 1 1/8 | 1 | — | 5/4 | 27.56 | — | 198 |
| 192 | P19214M115-M | M | 33.686 | 33.576 | — | D3 | 5 1/2 | 3/8 | 4 1/2 | 1 1/8 | 1 | — | 5/4 | 31.81 | — | 232 |
| 216 | P21614M115-M | M | 37.896 | 37.786 | — | D3 | 5 1/2 | 3/8 | 4 1/2 | 1 1/8 | 1 | — | 5/4 | 35.75 | — | 307 |
| Taper Bushed 115mm (4.53 in.) Wide Belts (14M-115) | | | | | | | | | | | | | | | | |
| 30 | P3014M115-2517 | 2517 | 5.263 | 5.153 | 6.13 | WF-1 | 2 11/16 | 1 1/4 | 1 1/4 | 1 1/4 | — | — | 5/4 | 3.928 | 4 1/16 | 13.5 |
| 32 | P3214M115-2517 | 2517 | 5.614 | 5.504 | 6.13 | WF-1 | 2 11/16 | 1 1/4 | 1 1/4 | 1 1/4 | — | — | 5/4 | 3.928 | 4 1/16 | 17.3 |
| 34 | P3414M115-2517 | 2517 | 5.965 | 5.855 | 6.50 | WF-1 | 2 11/16 | 1 1/4 | 1 1/4 | 1 1/4 | — | — | 5/4 | 4.063 | 4 1/16 | 20.9 |
| 36 | P3614M115-3020 | 3020 | 6.316 | 6.206 | 6.81 | WF-1 | 3 1/4 | 1 1/2 | 2 | 1 1/2 | — | — | 5/4 | 4.688 | 4 1/16 | 18.6 |
| 38 | P3814M115-3020 | 3020 | 6.667 | 6.557 | 7.16 | WF-1 | 3 1/4 | 1 1/2 | 2 | 1 1/2 | — | — | 5/4 | 4.813 | 4 1/16 | 22.5 |
| 40 | P4014M115-3020 | 3020 | 7.018 | 6.908 | 7.50 | WF-1 | 3 3/4 | 1 1/2 | 2 | 1 1/2 | — | — | 5/4 | 5.063 | 4 1/16 | 26.8 |
| 44 | P4414M115-3535 | 3535 | 7.720 | 7.610 | 8.22 | WF-1 | 3 15/16 | 7/8 | 3 1/2 | 7/8 | — | — | 5/4 | 6.125 | 4 1/16 | 30.8 |
| 48 | P4814M115-3535 | 3535 | 8.421 | 8.311 | 8.94 | WF-1 | 3 15/16 | 7/8 | 3 1/2 | 7/8 | — | — | 5/4 | 6.500 | 4 1/16 | 41.1 |
| 52 | P5214M115-4040 | 4040 | 9.123 | 9.013 | 9.69 | WF-1 | 4 1/16 | 3/4 | 4 1/2 | 3/4 | — | — | 5/4 | 7.188 | 4 1/16 | 46.9 |
| 56 | P5614M115-4040 | 4040 | 9.825 | 9.715 | 10.38 | WF-1 | 4 1/16 | 3/4 | 4 1/2 | 3/4 | — | — | 5/4 | 7.875 | 4 1/16 | 58.3 |
| 60 | P6014M115-4040 | 4040 | 10.527 | 10.417 | 11.06 | WF-1 | 4 1/16 | 3/4 | 4 1/2 | 3/4 | — | — | 5/4 | 8.500 | 4 1/16 | 70.9 |
| 64 | P6414M115-4545 | 4545 | 11.229 | 11.119 | 11.75 | WF-1 | 4 1/16 | 3/4 | 4 1/2 | 3/4 | — | — | 5/4 | 9.250 | 4 1/16 | 82.1 |
| 68 | P6814M115-4545 | 4545 | 11.930 | 11.820 | 12.50 | WF-1 | 4 1/16 | 3/4 | 4 1/2 | 3/4 | — | — | 5/4 | 10.000 | 4 1/16 | 97.1 |
| 72 | P7214M115-4545 | 4545 | 12.632 | 12.522 | 13.19 | WF-1 | 4 1/16 | 3/4 | 4 1/2 | 3/4 | — | — | 5/4 | 10.688 | 4 1/16 | 113.3 |
| 80 | P8014M115-4545 | 4545 | 14.036 | 13.926 | 14.63 | WF-2 | 4 1/16 | 3/4 | 4 1/2 | 3/4 | 9 1/2 | — | 5/4 | 12.125 | 4 1/16 | 108.9 |
| 90 | P9014M115-4545 | 4545 | 15.790 | 15.680 | — | W-2 | 4 15/16 | 3/4 | 4 1/2 | 3/4 | 9 1/2 | — | 5/4 | 13.563 | — | 112.9 |
| 112 | P11214M115-4545 | 4545 | 19.650 | 19.540 | — | W-3 | 4 15/16 | 3/4 | 4 1/2 | 3/4 | 9 1/2 | — | 5/4 | 17.375 | — | 122.4 |
| 144 | P14414M115-4545 | 4545 | 25.264 | 25.154 | — | W-3 | 4 15/16 | 3/4 | 4 1/2 | 3/4 | 9 1/2 | — | 5/4 | 23.000 | — | 155.0 |
| 168 | P16814M115-4545 | 4545 | 29.475 | 29.365 | — | W-3 | 4 15/16 | 3/4 | 4 1/2 | 3/4 | 9 1/2 | — | 5/4 | 27.250 | — | 188.0 |
| 192 | P19214M115-4545 | 4545 | 33.686 | 33.576 | — | W-3 | 4 15/16 | 3/4 | 4 1/2 | 3/4 | 9 1/2 | — | 5/4 | 31.375 | — | 318.8 |
| 216 | P21614M115-6050 | 6050 | 37.896 | 37.786 | — | W-3 | 6 | — | 5 | 1/4 | 15 1/2 | — | 5/4 | 35.625 | — | 350.3 |

* Weight Shown is for Sprocket Less Bushing.
 ● Reverse Mount Only

+ The numbers (1=Solid, 2=Web, 3=Arms) within the "Type" indicates construction, and the letter F indicates the sprocket has flanges.

PULLEYS



| MPB 170mm (6.69 in.) Wide Belts (14M-170) | | | | | | | | | | | | | | | | |
|--|-----------------|------|--------|----------------|--------|--------|---------------------------------|---------------------------------|----|--------------------------------|--------------------------------|---------------------------------|----|---------------------------------|--------------------------------|-----------------------|
| No. of Teeth | Catalog Number | Bore | P.D. | Diameter (in.) | | Type + | Max. Bore | Dimensions (in.) | | | | | | | | Weight* Approx. (lbs) |
| | | | | O.D. | Flange | | | E | L | M | K | H | F | G | W | |
| 36 | P3614M170-MPB | 1½ | 6.316 | 6.208 | 6.81 | D1F | 3 | 1¼ | 6 | 2½ | — | 4¾ | 7% | 4 ¹¹ / ₁₆ | 7 ¹ / ₁₆ | 47 |
| 38 | P3814M170-MPB | 1½ | 6.667 | 6.559 | 7.16 | D1F | 3¼ | 1¼ | 6 | 2½ | — | 5 ¹ / ₁₆ | 7% | 4 ¹⁵ / ₁₆ | 7 ¹ / ₁₆ | 55.7 |
| 40 | P4014M170-MPB | 1½ | 7.018 | 6.909 | 7.50 | D1F | 3 ⁵ / ₁₆ | 1¼ | 6 | 2½ | — | 5 ⁵ / ₁₆ | 7% | 5 ¹ / ₁₆ | 7 ¹ / ₁₆ | 63.7 |
| 44 | P4414M170-MPB | 1½ | 7.720 | 7.610 | 8.22 | D1F | 4% | 1¼ | 6 | 2½ | — | 6 ⁴ / ₆₄ | 7% | 6% | 7 ¹ / ₁₆ | 75.7 |
| 48 | P4814M170-MPB | 1½ | 8.421 | 8.311 | 8.94 | D1F | 4½ | 1¼ | 6 | 2½ | — | 6 ¹⁵ / ₆₄ | 7% | 6½ | 7 ¹ / ₁₆ | 94 |
| QD 170mm (6.69 in.) Wide Belts (14M-170) | | | | | | | | | | | | | | | | |
| 44 | P4414M170-E | E | 7.720 | 7.610 | 8.22 | A1F | 3% | 2 | 2½ | 2¾ | 2½ | — | 7% | 6.12 | 7 ¹ / ₁₆ | 38 |
| 48 | P4814M170-E | E | 8.421 | 8.311 | 8.94 | A1F | 3% | 2 | 2½ | 2¾ | 2 ¹ / ₁₆ | — | 7% | 6.50 | 7 ¹ / ₁₆ | 45 |
| 52 | P5214M170-F | F | 9.123 | 9.013 | 9.69 | A1F | 4 | 1 ¹ / ₁₆ | 3% | 2 ¹ / ₁₆ | 2 ¹ / ₁₆ | — | 7% | 7.18 | 7 ¹ / ₁₆ | 52 |
| 56 | P5614M170-F | F | 9.825 | 9.715 | 10.38 | A1F | 4 | 1 ¹ / ₁₆ | 3% | 2 ¹ / ₁₆ | 2 ¹ / ₁₆ | — | 7% | 7.88 | 7 ¹ / ₁₆ | 65 |
| 60 | P6014M170-J | J | 10.527 | 10.417 | 11.06 | A1F | 4½ | 1 ¹ / ₁₆ | 4½ | 1 ¹ / ₁₆ | 2½ | — | 7% | 8.50 | 7 ¹ / ₁₆ | 75 |
| 64 | P6414M170-J | J | 11.229 | 11.119 | 11.75 | A1F | 4½ | 1 ¹ / ₁₆ | 4½ | 1 ¹ / ₁₆ | 2½ | — | 7% | 9.25 | 7 ¹ / ₁₆ | 91 |
| 68 | P6814M170-J | J | 11.930 | 11.820 | 12.50 | A1F | 4½ | 1 ¹ / ₁₆ | 4½ | 1 ¹ / ₁₆ | 2½ | — | 7% | 10.00 | 7 ¹ / ₁₆ | 96 |
| 72 | P7214M170-J | J | 12.632 | 12.522 | 13.19 | A1F | 4½ | 1 ¹ / ₁₆ | 4½ | 1 ¹ / ₁₆ | 2½ | — | 7% | 10.69 | 7 ¹ / ₁₆ | 115 |
| 80 | P8014M170-J | J | 14.036 | 13.926 | 14.63 | A2F | 4½ | 1 ¹ / ₁₆ | 4½ | 1 ¹ / ₁₆ | 2½ | — | 7% | 12.13 | 7 ¹ / ₁₆ | 107 |
| 90 | P9014M170-J | J | 15.790 | 15.680 | — | A2 | 4½ | 1 ¹ / ₁₆ | 4½ | 1 ¹ / ₁₆ | 2½ | — | 7% | 14.00 | — | 116 |
| 112 | P11214M170-M | M | 19.650 | 19.540 | — | A3 | 5½ | 0 | 6% | ¾ | 1 ¹ / ₁₆ | — | 7% | 17.88 | — | 175 |
| 144 | P14414M170-M | M | 25.264 | 25.154 | — | A3 | 5½ | 0 | 6% | ¾ | 1 ¹ / ₁₆ | — | 7% | 23.38 | — | 240 |
| 168 | P16814M170-M | M | 29.475 | 29.365 | — | A3 | 5½ | 0 | 6% | ¾ | 1 ¹ / ₁₆ | — | 7% | 27.56 | — | 278 |
| 192 | P19214M170-M | M | 33.686 | 33.576 | — | A3 | 5½ | 0 | 6% | ¾ | 1 ¹ / ₁₆ | — | 7% | 31.81 | — | 322 |
| 216 | P21614M170-M | M | 37.896 | 37.786 | — | A3 | 5½ | 0 | 6% | ¾ | 1 ¹ / ₁₆ | — | 7% | 35.75 | — | 399 |
| Taper Bushed 170mm (6.69 in.) Wide Belts (14M-170) | | | | | | | | | | | | | | | | |
| 44 | P4414M170-3535 | 3535 | 7.720 | 7.610 | 8.22 | WF-1 | 3 ¹⁵ / ₁₆ | 1 ¹⁵ / ₁₆ | 3½ | 1 ¹ / ₁₆ | — | — | 7% | 6.13 | 7 ¹ / ₁₆ | 39.7 |
| 48 | P4814M170-3535 | 3535 | 8.421 | 8.311 | 8.94 | WF-1 | 3 ¹⁵ / ₁₆ | 1 ¹⁵ / ₁₆ | 3½ | 1 ¹ / ₁₆ | — | — | 7% | 6.50 | 7 ¹ / ₁₆ | 52.8 |
| 52 | P5214M170-4040 | 4040 | 9.123 | 9.013 | 9.69 | WF-1 | 4% | 1 ¹ / ₁₆ | 4 | 1 ¹ / ₁₆ | — | — | 7% | 7.19 | 7 ¹ / ₁₆ | 59.8 |
| 56 | P5614M170-4040 | 4040 | 9.825 | 9.715 | 10.38 | WF-1 | 4% | 1 ¹ / ₁₆ | 4 | 1 ¹ / ₁₆ | — | — | 7% | 7.88 | 7 ¹ / ₁₆ | 72.4 |
| 60 | P6014M170-4545 | 4545 | 10.527 | 10.417 | 11.06 | WF-1 | 4 ¹⁵ / ₁₆ | 1 ¹ / ₁₆ | 4½ | 1 ¹ / ₁₆ | — | — | 7% | 8.50 | 7 ¹ / ₁₆ | 83.7 |
| 64 | P6414M170-4545 | 4545 | 11.229 | 11.119 | 11.75 | WF-1 | 4 ¹⁵ / ₁₆ | 1 ¹ / ₁₆ | 4½ | 1 ¹ / ₁₆ | — | — | 7% | 9.25 | 7 ¹ / ₁₆ | 98.6 |
| 68 | P6814M170-4545 | 4545 | 11.930 | 11.820 | 12.50 | WF-1 | 4 ¹⁵ / ₁₆ | 1 ¹ / ₁₆ | 4½ | 1 ¹ / ₁₆ | — | — | 7% | 10.00 | 7 ¹ / ₁₆ | 114.4 |
| 72 | P7214M170-4545 | 4545 | 12.632 | 12.522 | 13.19 | WF-1 | 4 ¹⁵ / ₁₆ | 1 ¹ / ₁₆ | 4½ | 1 ¹ / ₁₆ | — | — | 7% | 10.69 | 7 ¹ / ₁₆ | 131.8 |
| 80 | P8014M170-4545 | 4545 | 14.036 | 13.926 | 14.63 | WF-2 | 4 ¹⁵ / ₁₆ | 1 ¹ / ₁₆ | 4½ | 1 ¹ / ₁₆ | — | 9½ | 7% | 12.13 | 7 ¹ / ₁₆ | 129.3 |
| 90 | P9014M170-4545 | 4545 | 15.790 | 15.680 | — | W-2 | 4 ¹⁵ / ₁₆ | 1 ¹ / ₁₆ | 4½ | 1 ¹ / ₁₆ | — | 9½ | 7% | 13.56 | — | 126.8 |
| 112 | P11214M170-4545 | 4545 | 19.650 | 19.540 | — | W-3 | 4 ¹⁵ / ₁₆ | 1 ¹ / ₁₆ | 4½ | 1 ¹ / ₁₆ | — | 9½ | 7% | 17.38 | — | 148.0 |
| 144 | P14414M170-6050 | 6050 | 25.264 | 25.154 | — | W-3 | 6 | 1 ¹ / ₁₆ | 5 | 1 ¹ / ₁₆ | — | 15½ | 7% | 23.00 | — | 208.0 |
| 168 | P16814M170-6050 | 6050 | 29.475 | 29.365 | — | W-3 | 6 | 1 ¹ / ₁₆ | 5 | 1 ¹ / ₁₆ | — | 15½ | 7% | 27.25 | — | 227.0 |
| 192 | P19214M170-6050 | 6050 | 33.686 | 33.576 | — | W-3 | 6 | 1 ¹ / ₁₆ | 5 | 1 ¹ / ₁₆ | — | 15½ | 7% | 31.38 | — | 340.0 |
| 216 | P21614M170-6050 | 6050 | 37.896 | 37.786 | — | W-3 | 6 | 1 ¹ / ₁₆ | 5 | 1 ¹ / ₁₆ | — | 15½ | 7% | 35.63 | — | 390.0 |

* Weight Shown is for Sprocket Less Bushing.
• Reverse Mount Only

+ The numbers (1=Solid, 2=Web, 3=Arms), within the "Type" indicates construction and the letter F indicates the sprocket has flanges.

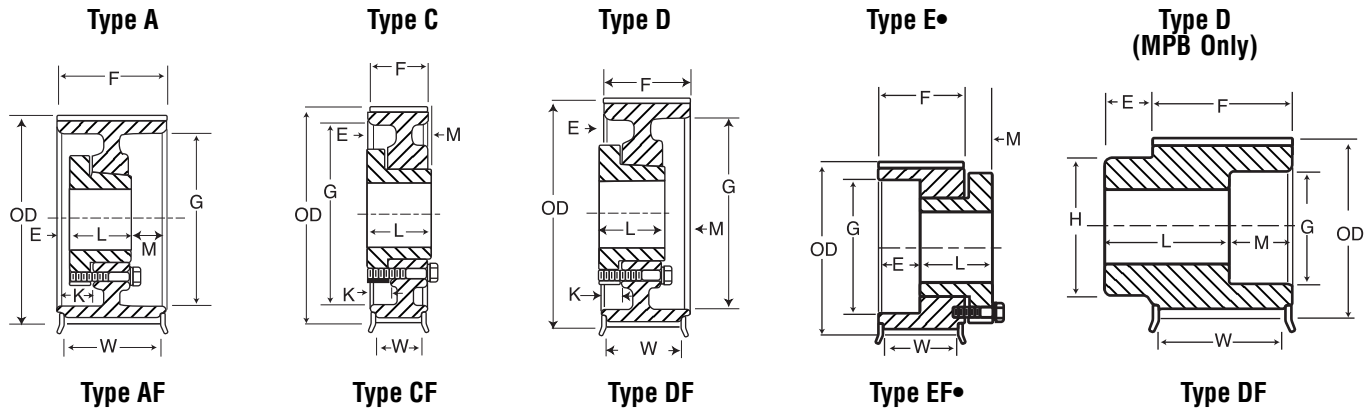
High Torque Sprockets 20mm

| QD 115mm (4.53 in.) Wide Belts (20M-115) | | | | | | | | | | | | | | | | |
|---|----------------|------|--------|----------------|--------|--------|-----------|------------------|-------|------|------|------|------|-------|------|-----------------------|
| No. of Teeth | Catalog Number | Bore | P.D. | Diameter (in.) | | Type + | Max. Bore | Dimensions (in.) | | | | | | | | Weight* Approx. (lbs) |
| | | | | O.D. | Flange | | | E | L | M | K | H | F | G | W | |
| 34 | P3420M115-F | F | 8.522 | 8.352 | 9.449 | A1F | 4.00 | 0.44 | 3.63 | 1.31 | 1.44 | — | 5.38 | 6.88 | 5.0 | 32 |
| 36 | P3620M115-F | F | 9.023 | 8.853 | 9.843 | A1F | 4.00 | 0.44 | 3.63 | 1.31 | 1.44 | — | 5.38 | 7.00 | 5.0 | 40 |
| 38 | P3820M115-F | F | 9.524 | 9.354 | 10.433 | A1F | 4.00 | 0.44 | 3.63 | 1.31 | 1.44 | — | 5.38 | 7.56 | 5.0 | 45 |
| 40 | P4020M115-F | F | 10.026 | 9.856 | 10.827 | A1F | 4.00 | 0.44 | 3.63 | 1.31 | 1.44 | — | 5.38 | 8.00 | 5.0 | 51 |
| 44 | P4420M115-F | F | 11.028 | 10.858 | 11.811 | A1F | 4.00 | 0.44 | 3.63 | 1.31 | 1.44 | — | 5.38 | 8.93 | 5.0 | 63 |
| 48 | P4820M115-J | J | 12.031 | 11.861 | 12.795 | A1F | 4.50 | 0.00 | 4.50 | 0.88 | 1.18 | — | 5.38 | 9.93 | 5.0 | 84 |
| 52 | P5220M115-J | J | 13.033 | 12.863 | 13.764 | A2F | 4.50 | 0.00 | 4.50 | 0.88 | 1.18 | — | 5.38 | 10.88 | 5.0 | 80 |
| 56 | P5620M115-J | J | 14.036 | 13.866 | 14.764 | A2F | 4.50 | 0.00 | 4.50 | 0.88 | 1.18 | — | 5.38 | 11.88 | 5.0 | 87 |
| 60 | P6020M115-J | J | 15.038 | 14.868 | 15.927 | A2F | 4.50 | 0.00 | 4.50 | 0.88 | 1.18 | — | 5.38 | 13.06 | 5.0 | 94 |
| 64 | P6420M115-J | J | 16.041 | 15.871 | 16.929 | A2F | 4.50 | 0.00 | 4.50 | 0.88 | 1.18 | — | 5.38 | 14.06 | 5.0 | 104 |
| 68 | P6820M115-J | J | 17.044 | 16.874 | 17.927 | A2F | 4.50 | 0.00 | 4.50 | 0.88 | 1.18 | — | 5.38 | 15.00 | 5.0 | 110 |
| 72 | P7220M115-J | J | 18.046 | 17.876 | 18.898 | A2F | 4.50 | 0.00 | 4.50 | 0.88 | 1.18 | — | 5.38 | 16.00 | 5.0 | 119 |
| 80 | P8020M115-M | M | 20.051 | 19.881 | 20.866 | C2F | 5.50 | 1.25 | 6.75 | 0.12 | 0.18 | — | 5.38 | 18.00 | 5.0 | 182 |
| 90 | P9020M115-M | M | 22.558 | 22.388 | 23.425 | C2F | 5.50 | 1.25 | 6.75 | 0.12 | 0.18 | — | 5.38 | 20.56 | 5.0 | 212 |
| 112 | P11220M115-M | M | 28.072 | 27.902 | — | C3 | 5.50 | 1.25 | 6.75 | 0.12 | 0.18 | — | 5.38 | 26.38 | — | 239 |
| 144 | P14420M115-N | N | 36.092 | 35.922 | — | C3 | 5.87 | 1.75 | 8.12 | 1.00 | 0.00 | — | 5.38 | 34.38 | — | 341 |
| 168 | P16820M115-N | N | 42.108 | 41.938 | — | C3 | 5.87 | 1.75 | 8.12 | 1.00 | 0.00 | — | 5.38 | 40.38 | — | 417 |
| 192 | P19220M115-N | N | 48.123 | 47.953 | — | C3 | 5.87 | 1.75 | 8.12 | 1.00 | 0.00 | — | 5.38 | 46.25 | — | 500 |
| 216 | P21620M115-N | N | 54.138 | 53.968 | — | C3 | 5.77 | 1.75 | 8.12 | 1.00 | 0.00 | — | 5.38 | 52.25 | — | 566 |
| MPB 170mm (6.69 in.) Wide Belts (20M-170) | | | | | | | | | | | | | | | | |
| 34 | P3420M170-MPB | 2½ | 8.522 | 8.352 | 9.449 | D1F | 4.38 | 1.25 | 6.50 | 2.25 | — | 6.50 | 7.50 | 6.50 | 7.12 | 82 |
| 36 | P3620M170-MPB | 2½ | 9.023 | 8.853 | 9.843 | D1F | 4.50 | 1.25 | 6.50 | 2.25 | — | 7.00 | 7.50 | 7.00 | 7.12 | 93 |
| QD 170mm (6.69 in.) Wide Belts (20M-170) | | | | | | | | | | | | | | | | |
| 38 | P3820M170-J | J | 9.524 | 9.354 | 10.433 | A1F | 4.50 | 1.00 | 4.50 | 2.00 | 2.18 | — | 7.50 | 7.56 | 7.12 | 56 |
| 40 | P4020M170-J | J | 10.026 | 9.856 | 10.827 | A1F | 4.50 | 1.00 | 4.50 | 2.00 | 2.18 | — | 7.50 | 8.00 | 7.12 | 64 |
| 44 | P4420M170-J | J | 11.028 | 10.858 | 11.811 | A1F | 4.50 | 1.00 | 4.50 | 2.00 | 2.18 | — | 7.50 | 8.93 | 7.12 | 81 |
| 48 | P4820M170-M | M | 12.031 | 11.861 | 12.795 | A1F | 5.50 | 0.06 | 6.75 | 0.68 | 1.50 | — | 7.50 | 9.93 | 7.12 | 113 |
| 52 | P5220M170-M | M | 13.033 | 12.863 | 13.764 | A1F | 5.50 | 0.06 | 6.75 | 0.68 | 1.50 | — | 7.50 | 10.88 | 7.12 | 141 |
| 56 | P5620M170-M | M | 14.036 | 13.866 | 14.764 | A1F | 5.50 | 0.06 | 6.75 | 0.68 | 1.50 | — | 7.50 | 11.88 | 7.12 | 170 |
| 60 | P6020M170-M | M | 15.038 | 14.868 | 15.927 | A1F | 5.50 | 0.06 | 6.75 | 0.68 | 1.50 | — | 7.50 | 13.06 | 7.12 | 199 |
| 64 | P6420M170-M | M | 16.041 | 15.871 | 16.929 | A2F | 5.50 | 0.06 | 6.75 | 0.68 | 1.50 | — | 7.50 | 14.06 | 7.12 | 175 |
| 68 | P6820M170-M | M | 17.044 | 16.874 | 17.927 | A2F | 5.50 | 0.06 | 6.75 | 0.68 | 1.50 | — | 7.50 | 15.00 | 7.12 | 187 |
| 72 | P7220M170-M | M | 18.046 | 17.876 | 18.898 | A2F | 5.50 | 0.06 | 6.75 | 0.68 | 1.50 | — | 7.50 | 16.00 | 7.12 | 196 |
| 80 | P8020M170-M | M | 20.051 | 19.881 | 20.866 | A2F | 5.50 | 0.06 | 6.75 | 0.68 | 1.50 | — | 7.50 | 18.00 | 7.12 | 214 |
| 90 | P9020M170-M | M | 22.558 | 22.388 | 23.425 | A2F | 5.50 | 0.06 | 6.75 | 0.68 | 1.50 | — | 7.50 | 20.56 | 7.12 | 250 |
| 112 | P11220M170-N | N | 28.072 | 27.902 | — | C3 | 5.87 | 0.50 | 8.12 | 0.12 | 1.25 | — | 7.50 | 26.25 | 7.12 | 309 |
| 144 | P14420M170-N | N | 36.092 | 35.922 | — | C3 | 5.87 | 0.50 | 8.12 | 0.12 | 1.25 | — | 7.50 | 34.25 | — | 426 |
| 168 | P16820M170-P | P | 42.108 | 41.938 | — | C3 | 7.00 | 0.90 | 9.38 | 0.94 | 1.06 | — | 7.50 | 40.25 | — | 571 |
| 192 | P19220M170-P | P | 48.123 | 47.953 | — | C3 | 7.00 | 0.94 | 9.38 | 0.94 | 1.06 | — | 7.50 | 46.25 | — | 652 |
| 216 | P21620M170-P | P | 54.138 | 53.968 | — | C3 | 7.00 | 0.94 | 9.38 | 0.94 | 1.06 | — | 7.50 | 52.12 | — | 813 |
| MPB 230mm (9.06 in.) Wide Belts (20M-230) | | | | | | | | | | | | | | | | |
| 38 | P3820M230-MPB | 2½ | 9.524 | 9.354 | 10.433 | D1F | 4.75 | 1.25 | 7.50 | 3.63 | — | 7.50 | 9.88 | 7.56 | 9.50 | 120 |
| 40 | P4020M230-MPB | 2½ | 10.026 | 9.856 | 10.827 | D1F | 5.25 | 1.25 | 8.50 | 2.63 | — | 8.00 | 9.88 | 8.00 | 9.50 | 147 |
| 44 | P4420M230-MPB | 2½ | 11.028 | 10.858 | 11.811 | D1F | 5.25 | 1.25 | 8.50 | 2.63 | — | 8.25 | 9.88 | 8.93 | 9.50 | 180 |
| QD 230mm (9.06 in.) Wide Belts (20M-230) | | | | | | | | | | | | | | | | |
| 48 | P4820M230-M | M | 12.031 | 11.861 | 12.795 | A1F | 5.50 | 0.56 | 6.75 | 2.56 | 2.00 | — | 9.88 | 9.93 | 9.50 | 129 |
| 52 | P5220M230-M | M | 13.033 | 12.863 | 13.764 | A1F | 5.50 | 0.56 | 6.75 | 2.56 | 2.00 | — | 9.88 | 10.88 | 9.50 | 158 |
| 56 | P5620M230-M | M | 14.036 | 13.866 | 14.764 | A1F | 5.50 | 0.56 | 6.75 | 2.56 | 2.00 | — | 9.88 | 11.88 | 9.50 | 189 |
| 60 | P6020M230-M | M | 15.038 | 14.868 | 15.927 | A1F | 5.50 | 0.56 | 6.75 | 2.56 | 2.00 | — | 9.88 | 13.06 | 9.50 | 217 |
| 64 | P6420M230-M | M | 16.041 | 15.871 | 16.929 | A2F | 5.50 | 0.56 | 6.75 | 2.56 | 2.00 | — | 9.88 | 14.06 | 9.50 | 198 |
| 68 | P6820M230-N | N | 17.044 | 16.874 | 17.927 | A1F | 5.87 | 0.06 | 8.12 | 1.69 | 1.81 | — | 9.88 | 15.00 | 9.50 | 324 |
| 72 | P7220M230-N | N | 18.046 | 17.876 | 18.898 | A2F | 5.87 | 0.06 | 8.12 | 1.69 | 1.81 | — | 9.88 | 16.00 | 9.50 | 287 |
| 80 | P8020M230-N | N | 20.051 | 19.881 | 20.866 | A2F | 5.87 | 0.06 | 8.12 | 1.69 | 1.81 | — | 9.88 | 18.00 | 9.50 | 280 |
| 90 | P9020M230-N | N | 22.558 | 22.388 | 23.425 | A2F | 5.87 | 0.06 | 8.12 | 1.69 | 1.81 | — | 9.88 | 20.56 | 9.50 | 319 |
| 112 | P11220M230-N | N | 28.072 | 27.902 | — | A3 | 5.87 | 0.06 | 8.12 | 1.69 | 1.81 | — | 9.88 | 26.25 | — | 357 |
| 144 | P14420M230-P | P | 36.092 | 35.922 | — | D3 | 7.00 | 0.69 | 9.38 | 1.19 | 1.31 | — | 9.88 | 34.25 | — | 535 |
| 168 | P16820M230-P | P | 42.108 | 41.938 | — | D3 | 7.00 | 0.69 | 9.38 | 1.19 | 1.31 | — | 9.88 | 40.25 | — | 654 |
| 192 | P19220M230-W | W | 48.123 | 47.953 | — | C3 | 8.50 | 0.75 | 11.38 | 0.75 | 1.50 | — | 9.88 | 46.00 | — | 935 |
| 216 | P21620M230-W | W | 54.138 | 53.968 | — | C3 | 8.50 | 0.75 | 11.38 | 0.75 | 1.50 | — | 9.88 | 52.00 | — | 1062 |

* Weight Shown is for Sprocket less Bushing.

• Reverse Mount Only

+ The numbers (1=Solid, 2=Web, 3=Arms), within the "Type" indicates construction and the letter F indicates the sprocket has flanges.



| QD 290mm (11.42 in.) Wide Belts (20M-290) | | | | | | | | | | | | | | | | |
|--|----------------|------|--------|----------------|--------|--------|-----------|------------------|-------|------|------|---|-------|-------|-------|----------------------|
| No. of Teeth | Catalog Number | Bore | P.D. | Diameter (in.) | | Type + | Max. Bore | Dimensions (in.) | | | | | | | | Weight Approx. (lbs) |
| | | | | O.D. | Flange | | | E | L | M | H | K | F | G | W | |
| 52 | P5220M290-N | N | 13.033 | 12.863 | 13.764 | A1F | 5.87 | 0.75 | 8.12 | 2.38 | 2.50 | — | 12.25 | 10.88 | 11.88 | 187 |
| 56 | P5620M290-N | N | 14.036 | 13.866 | 14.764 | A1F | 5.87 | 0.75 | 8.12 | 2.38 | 2.50 | — | 12.25 | 11.88 | 11.88 | 223 |
| 60 | P6020M290-N | N | 15.038 | 14.868 | 15.927 | A1F | 5.87 | 0.75 | 8.12 | 2.38 | 2.50 | — | 12.25 | 13.06 | 11.88 | 257 |
| 64 | P6420M290-N | N | 16.041 | 15.871 | 16.929 | A1F | 5.87 | 0.75 | 8.12 | 2.38 | 2.50 | — | 12.25 | 14.06 | 11.88 | 299 |
| 68 | P6820M290-N | N | 17.044 | 16.874 | 17.927 | A1F | 5.87 | 0.75 | 8.12 | 2.38 | 2.50 | — | 12.25 | 15.00 | 11.88 | 346 |
| 72 | P7220M290-N | N | 18.046 | 17.876 | 18.898 | A2F | 5.87 | 0.75 | 8.12 | 2.38 | 2.50 | — | 12.25 | 16.00 | 11.88 | 311 |
| 80 | P8020M290-N | N | 20.051 | 19.881 | 20.866 | A2F | 5.87 | 0.75 | 8.12 | 2.38 | 2.50 | — | 12.25 | 18.00 | 11.88 | 314 |
| 90 | P9020M290-N | N | 22.558 | 22.388 | 23.425 | A2F | 5.87 | 0.75 | 8.12 | 2.38 | 2.50 | — | 12.25 | 20.56 | 11.88 | 359 |
| 112 | P11220M290-P | P | 28.072 | 27.902 | — | A2 | 7.00 | 0.50 | 9.38 | 2.38 | 2.50 | — | 12.25 | 26.12 | — | 513 |
| 144 | P14420M290-P | P | 36.092 | 35.922 | — | A3 | 7.00 | 0.50 | 9.38 | 2.38 | 2.50 | — | 12.25 | 34.00 | — | 637 |
| 168 | P16820M290-W | W | 42.108 | 41.938 | — | A3 | 8.50 | 0.44 | 11.38 | 0.44 | 2.68 | — | 12.25 | 40.00 | — | 891 |
| 192 | P19220M290-W | W | 48.123 | 47.953 | — | A3 | 8.50 | 0.44 | 11.38 | 0.44 | 2.68 | — | 12.25 | 46.00 | — | 1061 |
| 216 | P21620M290-W | W | 54.138 | 53.968 | — | A3 | 8.50 | 0.44 | 11.38 | 0.44 | 2.68 | — | 12.25 | 52.00 | — | 1239 |
| QD 340 mm (13.39 in.) Wide Belts (20M-340) | | | | | | | | | | | | | | | | |
| 52 | P5220M340-N | N | 13.033 | 12.863 | 13.764 | A1F | 5.87 | 0.75 | 8.12 | 5.38 | 2.50 | — | 14.25 | 10.88 | 13.88 | 201 |
| 56 | P5620M340-N | N | 14.036 | 13.866 | 14.764 | A1F | 5.87 | 0.75 | 8.12 | 5.38 | 2.50 | — | 14.25 | 11.88 | 13.88 | 239 |
| 60 | P6020M340-N | N | 15.038 | 14.868 | 15.927 | A1F | 5.87 | 0.75 | 8.12 | 5.38 | 2.50 | — | 14.25 | 13.06 | 13.88 | 273 |
| 64 | P6420M340-N | N | 16.041 | 15.871 | 16.929 | A1F | 5.87 | 0.75 | 8.12 | 5.38 | 2.50 | — | 14.25 | 14.06 | 13.88 | 316 |
| 68 | P6820M340-N | N | 17.044 | 16.874 | 17.927 | A1F | 5.87 | 0.75 | 8.12 | 5.38 | 2.50 | — | 14.25 | 15.00 | 13.88 | 364 |
| 72 | P7220M340-N | N | 18.046 | 17.876 | 18.898 | A2F | 5.87 | 0.75 | 8.12 | 5.38 | 2.50 | — | 14.25 | 16.00 | 13.88 | 330 |
| 80 | P8020M340-P | P | 20.051 | 19.881 | 20.866 | A2F | 7.00 | 1.50 | 9.38 | 3.38 | 3.50 | — | 14.25 | 18.00 | 13.88 | 406 |
| 90 | P9020M340-P | P | 22.558 | 22.388 | 23.425 | A2F | 7.00 | 1.50 | 9.38 | 3.38 | 3.50 | — | 14.25 | 20.56 | 13.88 | 426 |
| 112 | P11220M340-P | P | 28.072 | 27.902 | — | A2 | 7.00 | 1.50 | 9.38 | 3.38 | 3.50 | — | 14.25 | 26.12 | — | 543 |
| 144 | P14420M340-W | W | 36.092 | 35.922 | — | A3 | 8.50 | 0.38 | 11.38 | 2.50 | 2.63 | — | 14.25 | 34.00 | — | 814 |
| 168 | P16820M340-W | W | 42.108 | 41.938 | — | A3 | 8.50 | 0.38 | 11.38 | 2.50 | 2.63 | — | 14.25 | 40.00 | — | 947 |
| 192 | P19220M340-S | S | 48.123 | 47.953 | — | D3 | 10.00 | 2.50 | 15.75 | 1.00 | 1.12 | — | 14.25 | 46.00 | — | 1368 |
| 216 | P21620M340-S | S | 54.138 | 53.968 | — | D3 | 10.00 | 2.50 | 15.75 | 1.00 | 1.12 | — | 14.25 | 51.88 | — | 1555 |

* Weight Shown is for Sprocket less Bushing.
 • Reverse Mount Only

+ The numbers (1=Solid, 2=Web, 3=Arms), within the "Type" indicates construction and the letter F indicates the sprocket has flanges.

HTS® 5mm Sprocket Diameters

| No. of Teeth | Diameters | | No. of Teeth | Diameters | | No. of Teeth | Diameters | | No. of Teeth | Diameters | | No. of Teeth | Diameters | |
|--------------|----------------|----------------|--------------|-----------------|-----------------|--------------|-----------------|-----------------|--------------|-----------------|-----------------|--------------|------------------|-----------------|
| | PD | mm In. OD | | PD | mm In. OD | | PD | mm In. OD | | PD | mm In. OD | | PD | mm In. OD |
| 13 | 20.69 0.815 | 19.55 0.770 | 43 | 68.44 2.694 | 67.30 2.649 | 73 | 116.18 4.574 | 115.04 4.529 | 103 | 163.93 6.454 | 162.79 6.409 | 133 | 211.68 8.334 | 210.54 8.289 |
| 14 | 22.28 0.877 | 21.14 0.832 | 44 | 70.03 2.757 | 68.89 2.712 | 74 | 117.77 4.637 | 116.63 4.592 | 104 | 165.52 6.517 | 164.38 6.472 | 134 | 213.27 8.396 | 212.13 8.351 |
| 15 | 23.87 0.940 | 22.73 0.895 | 45 | 71.62 2.820 | 70.48 2.775 | 75 | 119.37 4.699 | 118.23 4.654 | 105 | 167.11 6.579 | 165.97 6.534 | 135 | 214.86 8.459 | 213.72 8.414 |
| 16 | 25.46 1.003 | 24.32 0.958 | 46 | 73.21 2.882 | 72.07 2.837 | 76 | 120.96 4.762 | 119.82 4.717 | 106 | 168.70 6.642 | 167.56 6.597 | 136 | 216.45 8.522 | 215.31 8.477 |
| 17 | 27.06 1.065 | 25.92 1.020 | 47 | 74.80 2.945 | 73.66 2.900 | 77 | 122.55 4.825 | 121.41 4.780 | 107 | 170.3 6.705 | 169.16 6.660 | 137 | 218.04 8.584 | 216.90 8.539 |
| 18 | 28.65 1.128 | 27.51 1.083 | 48 | 76.39 3.008 | 75.25 2.963 | 78 | 124.14 4.887 | 123.00 4.842 | 108 | 171.89 6.767 | 170.75 6.722 | 138 | 219.63 8.647 | 218.49 8.602 |
| 19 | 30.24 1.191 | 29.10 1.146 | 49 | 77.99 3.070 | 76.85 3.025 | 79 | 125.73 4.950 | 124.59 4.905 | 109 | 173.48 6.830 | 172.34 6.785 | 139 | 221.23 8.710 | 220.09 8.665 |
| 20 | 31.83 1.253 | 30.69 1.208 | 50 | 79.58 3.133 | 78.94 3.088 | 80 | 127.32 5.013 | 126.18 4.968 | 110 | 175.07 6.893 | 173.93 6.848 | 140 | 222.82 8.772 | 221.68 8.727 |
| 21 | 33.42 1.316 | 32.28 1.271 | 51 | 81.17 3.196 | 80.03 3.151 | 81 | 128.92 5.075 | 127.78 5.030 | 111 | 176.66 6.955 | 175.52 6.910 | 141 | 224.41 8.835 | 223.27 8.790 |
| 22 | 35.01 1.379 | 33.87 1.334 | 52 | 82.76 3.258 | 81.62 3.213 | 82 | 130.51 5.138 | 129.37 5.093 | 112 | 178.25 7.018 | 177.11 6.973 | 142 | 226.00 8.898 | 224.86 8.853 |
| 23 | 36.61 1.441 | 35.47 1.396 | 53 | 84.35 3.321 | 83.21 3.276 | 83 | 132.10 5.201 | 130.96 5.156 | 113 | 179.85 7.081 | 178.71 7.036 | 143 | 227.59 8.960 | 226.45 8.915 |
| 24 | 38.20 1.504 | 37.06 1.459 | 54 | 85.94 3.384 | 84.80 3.339 | 84 | 133.69 5.263 | 132.55 5.218 | 114 | 181.44 7.143 | 180.30 7.098 | 144 | 229.18 9.023 | 228.04 8.978 |
| 25 | 39.79 1.566 | 38.65 1.521 | 55 | 87.54 3.446 | 86.40 3.401 | 85 | 135.28 5.326 | 134.14 5.281 | 115 | 183.03 7.206 | 181.89 7.161 | 145 | 230.77 9.086 | 229.63 9.041 |
| 26 | 41.38 1.629 | 40.24 1.584 | 56 | 89.13 3.509 | 87.99 3.464 | 86 | 136.87 5.389 | 135.73 5.344 | 116 | 184.62 7.268 | 183.48 7.223 | 146 | 232.37 9.148 | 231.23 9.103 |
| 27 | 42.97 1.692 | 41.83 1.647 | 57 | 90.72 3.572 | 89.58 3.527 | 87 | 138.46 5.451 | 137.32 5.406 | 117 | 186.21 7.331 | 185.07 7.286 | 147 | 233.96 9.211 | 232.82 9.166 |
| 28 | 44.56 1.754 | 43.42 1.709 | 58 | 92.31 3.634 | 91.17 3.589 | 88 | 140.06 5.514 | 138.92 5.469 | 118 | 187.80 7.394 | 186.66 7.349 | 148 | 235.55 9.274 | 234.41 9.229 |
| 29 | 46.15 1.817 | 45.01 1.772 | 59 | 93.90 3.697 | 92.76 3.652 | 89 | 141.65 5.577 | 140.51 5.532 | 119 | 189.39 7.456 | 188.25 7.411 | 149 | 237.14 9.336 | 236.00 9.291 |
| 30 | 47.75 1.880 | 46.61 1.835 | 60 | 95.49 3.760 | 94.35 3.715 | 90 | 143.24 5.639 | 142.10 5.594 | 120 | 190.99 7.519 | 189.85 7.474 | 150 | 238.73 9.399 | 237.59 9.354 |
| 31 | 49.34 1.942 | 48.20 1.897 | 61 | 97.08 3.822 | 95.94 3.777 | 91 | 144.83 5.702 | 143.69 5.657 | 121 | 192.58 7.582 | 191.44 7.537 | 151 | 240.32 9.462 | 239.18 9.417 |
| 32 | 50.93 2.005 | 49.79 1.960 | 62 | 98.68 3.885 | 97.54 3.840 | 92 | 146.42 5.765 | 145.28 5.720 | 122 | 194.17 7.644 | 193.03 7.599 | 152 | 241.92 9.524 | 240.78 9.479 |
| 33 | 52.52 2.068 | 51.38 2.023 | 63 | 100.27 3.948 | 99.13 3.903 | 93 | 148.01 5.827 | 146.87 5.782 | 123 | 195.76 7.707 | 194.62 7.662 | 153 | 243.51 9.587 | 242.37 9.542 |
| 34 | 54.11 2.130 | 52.97 2.085 | 64 | 101.86 4.010 | 100.72 3.965 | 94 | 149.61 5.890 | 148.47 5.845 | 124 | 197.35 7.770 | 196.21 7.725 | 154 | 245.10 9.650 | 243.96 9.605 |
| 35 | 55.70 2.193 | 54.56 2.148 | 65 | 103.45 4.073 | 102.31 4.028 | 95 | 151.20 5.953 | 150.06 5.908 | 125 | 198.94 7.832 | 197.80 7.787 | 155 | 246.69 9.712 | 245.55 9.667 |
| 36 | 57.30 2.256 | 56.16 2.211 | 66 | 105.04 4.136 | 103.90 4.091 | 96 | 152.79 6.015 | 151.65 5.970 | 126 | 200.54 7.895 | 199.40 7.850 | 156 | 248.28 9.775 | 247.14 9.730 |
| 37 | 58.89 2.318 | 57.75 2.273 | 67 | 106.63 4.198 | 105.49 4.153 | 97 | 154.38 6.078 | 153.24 6.033 | 127 | 202.13 7.958 | 200.99 7.913 | 157 | 249.87 9.838 | 248.73 9.793 |
| 38 | 60.48 2.381 | 59.34 2.336 | 68 | 108.23 4.261 | 107.09 4.216 | 98 | 155.97 6.141 | 154.83 6.096 | 128 | 203.72 8.020 | 202.58 7.975 | 158 | 251.46 9.900 | 250.32 9.855 |
| 39 | 62.07 2.444 | 60.93 2.399 | 69 | 109.82 4.324 | 108.68 4.279 | 99 | 157.56 6.203 | 156.42 6.158 | 129 | 205.31 8.083 | 204.17 8.038 | 159 | 253.06 9.963 | 251.92 9.918 |
| 40 | 63.66 2.506 | 62.52 2.461 | 70 | 111.41 4.386 | 110.27 4.341 | 100 | 159.15 6.266 | 158.01 6.221 | 130 | 206.90 8.146 | 205.76 8.101 | 160 | 254.65 10.026 | 253.51 9.981 |
| 41 | 62.25 2.569 | 64.11 2.524 | 71 | 113.00 4.449 | 111.86 4.404 | 101 | 160.75 6.329 | 159.61 6.284 | 131 | 208.49 8.208 | 207.35 8.163 | | | |
| 42 | 66.85 2.632 | 65.71 2.587 | 72 | 114.59 4.511 | 113.45 4.466 | 102 | 162.34 6.391 | 161.20 6.346 | 132 | 210.08 8.271 | 208.94 8.226 | | | |



HTS® 8mm Sprocket Diameters

| No. of Teeth | Diameters | | No. of Teeth | Diameters | | No. of Teeth | Diameters | | No. of Teeth | Diameters | | No. of Teeth | Diameters | |
|--------------|-----------------|-----------------|--------------|-----------------|-----------------|--------------|------------------|------------------|--------------|------------------|------------------|--------------|------------------|------------------|
| | PD | mm In. OD | | PD | mm In. OD | | PD | mm In. OD | | PD | mm In. OD | | PD | mm In. OD |
| 22 | 56.02 2.206 | 54.66 2.152 | 57 | 145.15 5.715 | 143.78 5.660 | 92 | 234.28 9.223 | 232.90 9.169 | 127 | 323.41 12.733 | 322.03 12.678 | 162 | 412.53 16.241 | 411.16 16.187 |
| 23 | 58.57 2.306 | 57.20 2.252 | 58 | 147.70 5.815 | 146.32 5.761 | 93 | 236.82 9.324 | 235.45 9.270 | 128 | 325.95 12.833 | 324.58 12.779 | 163 | 415.08 16.342 | 413.70 16.288 |
| 24 | 61.12 2.406 | 59.74 2.352 | 59 | 150.24 5.915 | 148.87 5.861 | 94 | 239.37 9.424 | 238.00 9.370 | 129 | 328.50 12.933 | 327.12 12.879 | 164 | 417.62 16.442 | 416.25 16.388 |
| 25 | 63.66 2.506 | 62.28 2.452 | 60 | 152.79 6.015 | 151.42 5.961 | 95 | 241.92 9.524 | 240.54 9.470 | 130 | 331.04 13.033 | 329.67 12.979 | 165 | 420.17 16.542 | 418.8 16.488 |
| 26 | 66.21 2.607 | 64.85 2.553 | 61 | 155.34 6.116 | 153.96 6.062 | 96 | 244.46 9.624 | 243.09 9.570 | 131 | 333.59 13.133 | 332.22 13.079 | 166 | 422.72 16.642 | 421.34 16.588 |
| 27 | 68.75 2.707 | 67.39 2.653 | 62 | 157.88 6.216 | 156.51 6.162 | 97 | 247.01 9.725 | 245.64 9.671 | 132 | 336.14 13.234 | 334.76 13.180 | 167 | 425.26 16.743 | 423.89 16.689 |
| 28 | 71.30 2.807 | 70.08 2.759 | 63 | 160.43 6.316 | 159.06 6.262 | 98 | 249.55 9.825 | 248.18 9.771 | 133 | 338.68 13.334 | 337.31 13.280 | 168 | 427.81 16.843 | 426.44 16.789 |
| 29 | 73.85 2.907 | 72.62 2.859 | 64 | 162.97 6.416 | 161.60 6.362 | 99 | 252.10 9.925 | 250.73 9.871 | 134 | 341.23 13.434 | 339.86 13.380 | 169 | 430.35 16.943 | 428.98 16.889 |
| 30 | 76.39 3.008 | 75.13 2.958 | 65 | 165.52 6.517 | 164.15 6.463 | 100 | 254.65 10.025 | 253.28 9.971 | 135 | 343.77 13.534 | 342.40 13.480 | 170 | 432.90 17.043 | 431.53 16.989 |
| 31 | 78.94 3.108 | 77.65 3.057 | 66 | 168.07 6.617 | 166.70 6.563 | 101 | 257.19 10.126 | 255.82 10.072 | 136 | 346.32 13.635 | 344.95 13.581 | 171 | 435.45 17.144 | 434.08 17.090 |
| 32 | 81.49 3.208 | 80.16 3.156 | 67 | 170.61 6.717 | 169.24 6.663 | 102 | 259.74 10.226 | 258.37 10.172 | 137 | 348.87 13.735 | 347.50 13.681 | 172 | 437.99 17.244 | 436.62 17.190 |
| 33 | 84.03 3.308 | 82.68 3.255 | 68 | 173.16 6.817 | 171.79 6.763 | 103 | 262.29 10.326 | 260.92 10.272 | 138 | 351.41 13.835 | 350.04 13.781 | 173 | 440.54 17.344 | 439.17 17.290 |
| 34 | 86.58 3.409 | 85.22 3.355 | 69 | 175.71 6.918 | 174.34 6.864 | 104 | 264.83 10.427 | 263.46 10.372 | 139 | 353.96 13.935 | 352.59 13.881 | 174 | 443.09 17.444 | 441.72 17.390 |
| 35 | 89.13 3.509 | 87.76 3.455 | 70 | 178.25 7.018 | 176.88 6.964 | 105 | 267.38 10.527 | 266.01 10.473 | 140 | 356.51 14.036 | 355.14 13.982 | 175 | 445.63 17.544 | 444.26 17.491 |
| 36 | 91.67 3.609 | 90.30 3.555 | 71 | 180.80 7.118 | 179.43 7.064 | 106 | 269.93 10.628 | 268.56 10.573 | 141 | 359.05 14.136 | 357.68 14.082 | 176 | 448.18 17.645 | 446.81 17.591 |
| 37 | 94.22 3.709 | 92.85 3.655 | 72 | 183.35 7.218 | 181.97 7.164 | 107 | 272.47 10.728 | 271.10 10.673 | 142 | 361.60 14.236 | 360.23 14.182 | 177 | 450.73 17.745 | 449.36 17.691 |
| 38 | 96.77 3.810 | 95.39 3.756 | 73 | 185.89 7.319 | 184.52 7.265 | 108 | 275.02 10.828 | 273.65 10.771 | 143 | 364.15 14.336 | 362.77 14.282 | 178 | 453.27 17.845 | 451.90 17.791 |
| 39 | 99.31 3.910 | 97.94 3.856 | 74 | 188.44 7.419 | 187.07 7.365 | 109 | 277.57 10.928 | 276.19 10.874 | 144 | 366.69 14.437 | 365.32 14.383 | 179 | 455.82 17.946 | 454.45 17.892 |
| 40 | 101.86 4.010 | 100.49 3.956 | 75 | 190.99 7.519 | 189.61 7.465 | 110 | 280.11 11.028 | 278.74 10.974 | 145 | 369.24 14.537 | 367.87 14.483 | 180 | 458.37 18.046 | 456.99 17.992 |
| 41 | 104.41 4.110 | 103.03 4.056 | 76 | 193.53 7.619 | 192.16 7.565 | 111 | 282.66 11.128 | 281.29 11.074 | 146 | 371.79 14.637 | 370.41 14.583 | 181 | 460.91 18.146 | 459.54 18.092 |
| 42 | 106.95 4.211 | 105.58 4.157 | 77 | 196.08 7.720 | 194.71 7.666 | 112 | 285.21 11.229 | 283.83 11.175 | 147 | 374.33 14.737 | 372.96 14.683 | 182 | 463.46 18.246 | 462.09 18.192 |
| 43 | 109.50 4.311 | 108.13 4.257 | 78 | 198.63 7.820 | 197.25 7.766 | 113 | 287.75 11.329 | 286.38 11.275 | 148 | 376.88 14.838 | 375.51 14.784 | 183 | 466.01 18.347 | 464.63 18.293 |
| 44 | 112.05 4.411 | 110.67 4.357 | 79 | 201.17 7.920 | 199.81 7.866 | 114 | 290.30 11.429 | 288.93 11.375 | 149 | 379.43 14.938 | 378.05 14.884 | 184 | 468.55 18.447 | 467.18 18.393 |
| 45 | 114.59 4.511 | 113.22 4.457 | 80 | 203.72 8.020 | 202.35 7.966 | 115 | 292.85 11.529 | 291.47 11.475 | 150 | 381.97 15.038 | 380.60 14.984 | 185 | 471.10 18.547 | 469.73 18.493 |
| 46 | 117.14 4.612 | 115.77 4.558 | 81 | 206.26 8.121 | 204.89 8.067 | 116 | 295.39 11.630 | 294.02 11.576 | 151 | 384.52 15.138 | 383.15 15.084 | 186 | 473.65 18.647 | 472.27 18.593 |
| 47 | 119.68 4.712 | 118.31 4.658 | 82 | 208.81 8.221 | 207.44 8.167 | 117 | 297.94 11.730 | 296.57 11.676 | 152 | 387.06 15.239 | 385.70 15.185 | 187 | 476.19 18.748 | 474.82 18.694 |
| 48 | 122.23 4.812 | 120.86 4.758 | 83 | 211.36 8.321 | 209.99 8.267 | 118 | 300.48 11.830 | 299.11 11.776 | 153 | 389.61 15.339 | 388.24 15.285 | 188 | 478.74 18.848 | 477.37 18.794 |
| 49 | 124.78 4.912 | 123.41 4.858 | 84 | 213.90 8.421 | 212.53 8.367 | 119 | 303.03 11.930 | 301.66 11.876 | 154 | 392.16 15.439 | 390.79 15.385 | 189 | 481.28 18.948 | 479.91 18.894 |
| 50 | 127.32 5.013 | 125.95 4.959 | 85 | 216.45 8.522 | 215.08 8.468 | 120 | 305.58 12.031 | 304.21 11.977 | 155 | 394.70 15.540 | 393.33 15.486 | 190 | 483.83 19.048 | 482.46 18.994 |
| 51 | 129.87 5.113 | 128.50 5.059 | 86 | 219.00 8.622 | 217.63 8.568 | 121 | 308.12 12.131 | 306.75 12.077 | 156 | 397.25 15.640 | 395.88 15.586 | 191 | 486.38 19.149 | 485.01 19.095 |
| 52 | 132.42 5.213 | 131.05 5.159 | 87 | 221.54 8.722 | 220.17 8.668 | 122 | 310.67 12.231 | 309.30 12.177 | 157 | 399.80 15.740 | 398.43 15.686 | 192 | 488.92 19.249 | 487.55 19.195 |
| 53 | 134.96 5.314 | 133.59 5.259 | 88 | 224.09 8.822 | 222.72 8.768 | 123 | 313.22 12.331 | 311.85 12.227 | 158 | 402.34 15.840 | 400.97 15.786 | | | |
| 54 | 137.51 5.414 | 136.14 5.360 | 89 | 226.64 8.923 | 225.27 8.869 | 124 | 315.76 12.432 | 314.39 12.378 | 159 | 404.89 15.941 | 403.52 15.887 | | | |
| 55 | 140.06 5.514 | 138.68 5.460 | 90 | 229.18 9.023 | 227.81 8.969 | 125 | 318.31 12.532 | 316.94 12.478 | 160 | 407.44 16.041 | 406.07 15.987 | | | |
| 56 | 142.60 5.614 | 141.23 5.560 | 91 | 231.73 9.123 | 230.36 9.069 | 126 | 320.86 12.632 | 319.48 12.578 | 161 | 409.98 16.141 | 408.61 16.087 | | | |

PULLEYS

HTS® 14mm Sprocket Diameters



| No. of Teeth | Diameters mm In. | | No. of Teeth | Diameters mm In. | | No. of Teeth | Diameters mm In. | | No. of Teeth | Diameters mm In. | | No. of Teeth | Diameters mm In. | |
|--------------|------------------|------------------|--------------|------------------|------------------|--------------|------------------|------------------|--------------|------------------|------------------|--------------|------------------|------------------|
| | PD | OD | | PD | OD | | PD | OD | | PD | OD | | PD | OD |
| 28 | 124.78 4.912 | 122.12 4.808 | 66 | 294.12 11.579 | 291.32 11.469 | 104 | 463.46 18.246 | 460.66 18.136 | 142 | 632.80 24.913 | 630.01 24.803 | 180 | 802.14 31.580 | 799.35 31.47 |
| 29 | 129.23 5.088 | 126.57 4.983 | 67 | 298.57 11.755 | 295.78 11.645 | 105 | 467.92 18.422 | 465.12 18.312 | 143 | 637.26 25.089 | 634.46 24.979 | 181 | 806.60 31.756 | 803.80 31.646 |
| 30 | 133.69 5.263 | 130.99 5.157 | 68 | 303.03 11.930 | 300.24 11.820 | 106 | 472.37 18.597 | 469.58 18.487 | 144 | 641.71 25.264 | 638.92 25.154 | 182 | 811.05 31.931 | 808.26 31.821 |
| 31 | 138.15 5.439 | 135.46 5.333 | 69 | 307.49 12.106 | 304.69 11.996 | 107 | 476.83 18.773 | 474.03 18.663 | 145 | 646.17 25.440 | 643.37 25.330 | 183 | 815.51 32.107 | 812.72 31.997 |
| 32 | 142.60 5.614 | 139.88 5.507 | 70 | 311.94 12.281 | 309.15 12.171 | 108 | 481.28 18.948 | 478.49 18.838 | 146 | 650.63 25.615 | 647.83 25.505 | 184 | 819.97 32.252 | 817.17 32.172 |
| 33 | 147.06 5.790 | 144.35 5.683 | 71 | 316.40 12.457 | 313.61 12.347 | 109 | 485.74 19.124 | 482.95 19.014 | 147 | 655.08 25.791 | 652.29 25.681 | 185 | 824.42 32.458 | 821.63 32.348 |
| 34 | 151.52 5.965 | 148.79 5.858 | 72 | 320.86 12.632 | 318.06 12.522 | 110 | 490.20 19.299 | 487.40 19.189 | 148 | 659.54 25.966 | 656.74 25.856 | 186 | 828.88 32.633 | 826.08 32.523 |
| 35 | 155.98 6.141 | 153.24 6.033 | 73 | 325.31 12.808 | 322.52 12.698 | 111 | 494.65 19.475 | 491.86 19.365 | 149 | 663.99 26.141 | 661.20 26.031 | 187 | 833.33 32.808 | 830.54 32.698 |
| 36 | 160.43 6.316 | 157.68 6.208 | 74 | 329.77 12.983 | 326.97 12.873 | 112 | 499.11 19.650 | 496.32 19.540 | 150 | 668.45 26.317 | 665.66 26.207 | 188 | 837.79 32.954 | 835.00 32.874 |
| 37 | 164.88 6.491 | 162.13 6.383 | 75 | 334.22 13.158 | 331.43 13.048 | 113 | 503.57 19.825 | 500.77 19.715 | 151 | 672.91 26.492 | 670.11 26.382 | 189 | 842.25 33.159 | 839.45 33.049 |
| 38 | 169.34 6.667 | 166.60 6.559 | 76 | 338.68 13.334 | 335.89 13.224 | 114 | 508.20 20.001 | 505.23 19.891 | 152 | 677.36 26.668 | 674.57 26.558 | 190 | 846.70 33.335 | 843.91 33.225 |
| 39 | 173.80 6.842 | 171.02 6.733 | 77 | 343.14 13.509 | 340.34 13.399 | 115 | 512.48 20.176 | 509.68 20.066 | 153 | 681.82 26.843 | 679.03 26.733 | 191 | 851.16 33.510 | 848.37 33.400 |
| 40 | 178.25 7.018 | 175.49 6.909 | 78 | 347.59 13.685 | 344.80 13.575 | 116 | 516.93 20.352 | 514.14 20.242 | 154 | 690.73 27.194 | 687.94 27.084 | 192 | 855.62 33.686 | 852.82 33.576 |
| 41 | 182.71 7.193 | 179.92 7.083 | 79 | 352.05 13.860 | 349.26 13.750 | 117 | 521.39 20.527 | 518.60 20.417 | 155 | 690.73 27.194 | 687.94 27.084 | 193 | 860.07 33.861 | 857.28 33.751 |
| 42 | 187.17 7.369 | 184.37 7.259 | 80 | 356.51 14.036 | 353.71 13.926 | 118 | 525.85 20.703 | 523.05 20.593 | 156 | 695.19 27.370 | 692.39 27.260 | 194 | 864.53 34.037 | 861.75 33.927 |
| 43 | 191.62 7.544 | 188.83 7.434 | 81 | 360.96 14.211 | 358.17 14.101 | 119 | 530.30 20.878 | 527.51 20.768 | 157 | 699.64 27.545 | 696.85 27.435 | 195 | 868.98 34.212 | 866.44 34.112 |
| 44 | 196.08 7.720 | 193.28 7.610 | 82 | 365.42 14.387 | 362.63 14.277 | 120 | 534.76 21.054 | 531.97 20.944 | 158 | 704.10 27.720 | 701.31 27.610 | 196 | 873.44 34.387 | 870.64 34.277 |
| 45 | 200.53 7.895 | 197.74 7.785 | 83 | 369.88 14.562 | 367.08 14.452 | 121 | 539.22 21.229 | 536.42 21.119 | 159 | 708.56 27.896 | 705.76 27.786 | 197 | 877.90 34.553 | 875.11 34.453 |
| 46 | 204.99 8.071 | 202.20 7.961 | 84 | 374.33 14.737 | 371.54 14.627 | 122 | 543.67 21.404 | 540.88 21.294 | 160 | 713.01 28.071 | 710.22 27.961 | 198 | 882.35 34.738 | 879.55 34.628 |
| 47 | 209.45 8.246 | 206.65 8.136 | 85 | 378.79 14.913 | 375.99 14.803 | 123 | 548.13 21.580 | 545.34 21.470 | 161 | 717.47 28.247 | 714.68 28.137 | 199 | 886.81 34.914 | 884.02 34.804 |
| 48 | 213.90 8.421 | 211.11 8.311 | 86 | 383.24 15.068 | 380.45 14.978 | 124 | 552.59 21.755 | 549.79 21.645 | 162 | 721.93 28.422 | 719.13 28.312 | 200 | 891.27 35.089 | 888.47 34.979 |
| 49 | 218.36 8.597 | 215.57 8.487 | 87 | 387.70 15.264 | 384.91 15.154 | 125 | 557.04 21.931 | 554.25 21.821 | 163 | 726.38 28.598 | 723.59 28.488 | 201 | 895.72 35.265 | 892.94 35.155 |
| 50 | 222.82 8.772 | 220.02 8.662 | 88 | 392.16 15.439 | 389.36 15.329 | 126 | 561.50 22.106 | 558.70 21.996 | 164 | 730.84 28.773 | 728.05 28.663 | 202 | 900.18 35.440 | 897.38 35.330 |
| 51 | 227.27 8.948 | 224.48 8.838 | 89 | 396.61 15.615 | 393.82 15.505 | 127 | 565.95 22.282 | 563.16 22.172 | 165 | 735.30 28.949 | 732.50 28.839 | 203 | 906.64 35.616 | 901.85 35.506 |
| 52 | 231.73 9.123 | 228.94 9.013 | 90 | 401.07 15.790 | 398.28 15.680 | 128 | 570.41 22.457 | 567.62 22.347 | 166 | 739.75 29.124 | 736.96 29.014 | 204 | 909.09 35.791 | 906.30 35.681 |
| 53 | 236.19 9.299 | 233.39 9.189 | 91 | 405.53 15.966 | 402.73 15.856 | 129 | 574.87 22.633 | 572.07 22.523 | 167 | 744.21 29.299 | 741.41 29.189 | 205 | 913.55 35.966 | 910.74 35.856 |
| 54 | 240.64 9.474 | 237.85 9.354 | 92 | 409.98 16.141 | 407.19 16.031 | 130 | 579.32 22.808 | 576.53 22.689 | 168 | 748.66 29.475 | 745.87 29.365 | 206 | 918.00 36.142 | 915.21 36.032 |
| 55 | 245.10 9.650 | 242.30 9.540 | 93 | 414.44 16.316 | 411.64 16.206 | 131 | 583.78 22.983 | 580.99 22.873 | 169 | 753.12 29.650 | 750.33 29.540 | 207 | 922.46 36.317 | 919.66 36.207 |
| 56 | 249.55 9.825 | 246.76 9.715 | 94 | 418.90 16.492 | 416.10 16.382 | 132 | 588.24 23.159 | 585.44 23.049 | 170 | 757.58 29.826 | 754.78 29.716 | 208 | 926.92 36.493 | 924.13 36.383 |
| 57 | 254.01 10.000 | 251.22 9.890 | 95 | 423.35 16.667 | 420.56 16.557 | 133 | 592.69 23.334 | 589.90 23.224 | 171 | 762.03 30.001 | 759.24 29.891 | 209 | 931.97 36.668 | 928.57 36.558 |
| 58 | 258.47 10.176 | 255.67 10.066 | 96 | 427.81 16.843 | 425.01 16.733 | 134 | 597.15 23.510 | 594.35 23.400 | 172 | 766.49 30.177 | 763.70 30.067 | 210 | 936.83 36.844 | 933.04 36.734 |
| 59 | 262.92 10.351 | 260.13 10.241 | 97 | 432.26 17.018 | 429.47 16.908 | 135 | 601.61 23.685 | 598.81 23.575 | 173 | 770.95 30.352 | 768.15 3.242 | 211 | 940.29 37.019 | 937.49 36.909 |
| 60 | 267.38 10.527 | 264.59 10.417 | 98 | 436.72 17.194 | 433.93 17.084 | 136 | 606.06 23.861 | 603.27 23.751 | 174 | 775.40 30.528 | 772.61 30.418 | 212 | 944.74 37.195 | 941.96 37.085 |
| 61 | 271.84 10.702 | 269.04 10.592 | 99 | 441.18 17.369 | 438.38 17.259 | 137 | 610.52 24.036 | 607.72 23.926 | 175 | 779.86 30.703 | 777.06 30.593 | 213 | 949.20 37.370 | 946.40 37.260 |
| 62 | 276.29 10.878 | 273.50 10.768 | 100 | 445.63 17.545 | 442.84 17.435 | 138 | 614.97 24.212 | 612.18 24.102 | 176 | 784.32 30.878 | 781.52 30.768 | 214 | 953.65 37.545 | 950.85 37.435 |
| 63 | 280.75 11.053 | 277.95 10.943 | 101 | 450.09 17.720 | 447.30 17.610 | 139 | 619.43 24.387 | 616.64 24.277 | 177 | 788.77 31.054 | 785.98 30.944 | 215 | 958.11 37.721 | 955.32 37.611 |
| 64 | 285.21 11.229 | 282.41 11.119 | 102 | 454.55 17.895 | 451.75 17.785 | 140 | 623.89 24.562 | 621.09 24.452 | 178 | 793.23 31.228 | 790.43 31.119 | 216 | 962.57 37.896 | 959.76 37.786 |
| 65 | 289.66 11.404 | 286.87 11.294 | 103 | 459.00 18.071 | 456.21 17.961 | 141 | 628.34 24.738 | 625.55 24.628 | 179 | 797.68 31.405 | 794.89 31.295 | | | |

PULLEYS



HTS® 20mm Sprocket Diameters

| No. of Teeth | Diameters | | No. of Teeth | Diameters | | No. of Teeth | Diameters | | No. of Teeth | Diameters | | No. of Teeth | Diameters | |
|--------------|-----------|--------|--------------|-----------|--------|--------------|-----------|--------|--------------|-----------|---------|--------------|-----------|---------|
| | PD | mm In. | | PD | mm In. | | PD | mm In. | | PD | mm In. | | PD | mm In. |
| 34 | 216.45 | 212.13 | 71 | 452.00 | 447.68 | 108 | 687.55 | 683.23 | 145 | 923.10 | 918.78 | 182 | 1158.65 | 1154.33 |
| | 8.522 | 8.352 | | 17.795 | 17.625 | | 27.069 | 26.899 | | 36.342 | 36.172 | | 45.616 | 45.446 |
| 35 | 222.82 | 218.50 | 72 | 458.37 | 454.05 | 109 | 693.92 | 689.60 | 146 | 929.46 | 925.15 | 183 | 1165.01 | 1160.70 |
| | 8.772 | 8.602 | | 18.046 | 17.876 | | 27.320 | 27.150 | | 36.593 | 36.423 | | 45.867 | 45.697 |
| 36 | 229.18 | 224.87 | 73 | 464.73 | 460.41 | 110 | 700.28 | 695.96 | 147 | 935.83 | 931.51 | 184 | 1171.38 | 1167.06 |
| | 9.023 | 8.853 | | 18.297 | 18.127 | | 27.570 | 27.400 | | 36.840 | 36.674 | | 46.117 | 45.947 |
| 37 | 235.55 | 231.23 | 74 | 471.10 | 466.78 | 111 | 706.65 | 702.33 | 148 | 942.20 | 937.88 | 185 | 1177.75 | 1173.43 |
| | 9.274 | 9.104 | | 18.547 | 18.377 | | 27.821 | 27.651 | | 37.094 | 36.924 | | 46.368 | 46.198 |
| 38 | 241.92 | 237.60 | 75 | 477.46 | 473.15 | 112 | 713.01 | 708.70 | 149 | 948.56 | 944.25 | 186 | 1184.11 | 1179.79 |
| | 9.524 | 9.354 | | 18.798 | 18.628 | | 28.071 | 27.901 | | 37.345 | 37.175 | | 46.619 | 46.449 |
| 39 | 248.28 | 243.96 | 76 | 483.83 | 479.51 | 113 | 719.38 | 715.06 | 150 | 954.93 | 950.61 | 187 | 1190.48 | 1186.16 |
| | 9.775 | 9.605 | | 19.048 | 18.878 | | 28.322 | 28.152 | | 37.596 | 37.426 | | 46.859 | 46.699 |
| 40 | 254.65 | 250.33 | 77 | 490.20 | 485.88 | 114 | 725.75 | 721.43 | 151 | 961.30 | 956.98 | 188 | 1196.85 | 1192.53 |
| | 10.026 | 9.855 | | 19.299 | 19.129 | | 28.573 | 28.403 | | 37.846 | 37.676 | | 47.120 | 46.950 |
| 41 | 261.01 | 256.70 | 78 | 496.56 | 492.25 | 115 | 732.11 | 727.79 | 152 | 967.66 | 963.34 | 189 | 1203.21 | 1198.89 |
| | 10.276 | 10.106 | | 19.550 | 19.380 | | 28.823 | 28.653 | | 38.097 | 37.927 | | 47.371 | 47.201 |
| 42 | 267.38 | 263.06 | 79 | 502.93 | 498.61 | 116 | 738.48 | 734.16 | 153 | 974.03 | 969.71 | 190 | 1209.58 | 1205.26 |
| | 10.527 | 10.357 | | 19.800 | 19.630 | | 29.074 | 28.904 | | 38.348 | 38.178 | | 47.621 | 47.451 |
| 43 | 273.75 | 269.43 | 80 | 509.30 | 504.98 | 117 | 744.85 | 740.53 | 154 | 980.39 | 976.08 | 191 | 1215.94 | 1211.63 |
| | 10.777 | 10.607 | | 20.051 | 19.881 | | 29.325 | 29.155 | | 38.598 | 38.428 | | 47.672 | 47.702 |
| 44 | 280.11 | 275.79 | 81 | 515.66 | 511.34 | 118 | 751.21 | 746.89 | 155 | 986.76 | 982.44 | 192 | 1222.31 | 1217.99 |
| | 11.028 | 10.858 | | 20.302 | 20.132 | | 29.575 | 29.405 | | 38.849 | 38.679 | | 48.122 | 47.952 |
| 45 | 286.48 | 282.16 | 82 | 522.03 | 517.71 | 119 | 757.58 | 753.26 | 156 | 993.13 | 988.81 | 193 | 1228.68 | 1224.36 |
| | 11.279 | 11.109 | | 20.552 | 20.382 | | 29.826 | 29.656 | | 39.099 | 38.929 | | 48.373 | 48.203 |
| 46 | 292.85 | 288.53 | 83 | 528.39 | 524.08 | 120 | 763.94 | 759.63 | 157 | 999.49 | 995.18 | 194 | 1235.04 | 1230.72 |
| | 11.529 | 11.469 | | 20.803 | 20.633 | | 30.077 | 29.907 | | 39.350 | 39.180 | | 48.624 | 48.454 |
| 47 | 299.21 | 294.89 | 84 | 534.76 | 530.44 | 121 | 770.31 | 765.99 | 158 | 1005.86 | 1001.54 | 195 | 1241.41 | 1237.09 |
| | 11.780 | 11.610 | | 21.054 | 20.884 | | 30.327 | 30.157 | | 39.601 | 39.431 | | 48.874 | 48.704 |
| 48 | 305.58 | 301.26 | 85 | 541.13 | 536.81 | 122 | 776.68 | 772.36 | 159 | 1012.23 | 1007.91 | 196 | 1247.77 | 1243.46 |
| | 12.031 | 11.861 | | 21.304 | 21.134 | | 30.578 | 30.408 | | 39.851 | 39.681 | | 49.125 | 48.955 |
| 49 | 311.94 | 307.63 | 86 | 547.49 | 543.18 | 123 | 783.04 | 778.72 | 160 | 1018.59 | 1014.27 | 197 | 1254.14 | 1249.82 |
| | 12.281 | 12.111 | | 21.555 | 21.385 | | 30.828 | 30.658 | | 40.102 | 39.932 | | 49.376 | 49.206 |
| 50 | 318.31 | 313.99 | 87 | 553.86 | 549.54 | 124 | 789.41 | 785.09 | 161 | 1024.96 | 1020.64 | 198 | 1260.51 | 1256.19 |
| | 12.532 | 12.362 | | 21.805 | 21.635 | | 31.079 | 30.909 | | 40.353 | 40.183 | | 49.626 | 49.456 |
| 51 | 324.68 | 320.36 | 88 | 560.23 | 555.91 | 125 | 795.77 | 791.46 | 162 | 1031.32 | 1027.01 | 199 | 1266.87 | 1262.56 |
| | 12.763 | 12.613 | | 22.056 | 21.886 | | 31.330 | 31.160 | | 40.603 | 40.433 | | 49.577 | 49.707 |
| 52 | 331.04 | 326.72 | 89 | 566.59 | 562.27 | 126 | 805.14 | 797.82 | 163 | 1037.69 | 1033.37 | 200 | 1273.24 | 1268.92 |
| | 13.033 | 12.863 | | 22.307 | 22.137 | | 31.580 | 31.410 | | 40.854 | 40.684 | | 50.128 | 49.958 |
| 53 | 337.41 | 333.09 | 90 | 572.96 | 568.64 | 127 | 808.51 | 804.19 | 164 | 1044.06 | 1039.74 | 201 | 1279.61 | 1275.29 |
| | 13.284 | 13.114 | | 22.557 | 22.387 | | 31.831 | 31.661 | | 41.105 | 40.935 | | 50.378 | 50.208 |
| 54 | 343.77 | 339.46 | 91 | 579.32 | 575.01 | 128 | 814.87 | 810.56 | 165 | 1050.42 | 1046.10 | 202 | 1285.97 | 1281.65 |
| | 13.534 | 13.364 | | 22.808 | 22.638 | | 32.082 | 31.912 | | 41.355 | 41.185 | | 50.629 | 50.459 |
| 55 | 350.14 | 345.82 | 92 | 585.69 | 581.37 | 129 | 821.24 | 816.92 | 166 | 1056.79 | 1052.47 | 203 | 1292.34 | 1288.02 |
| | 13.785 | 13.615 | | 23.059 | 22.889 | | 32.332 | 32.162 | | 41.606 | 41.436 | | 50.679 | 50.709 |
| 56 | 356.51 | 352.19 | 93 | 592.06 | 587.74 | 130 | 827.61 | 823.29 | 167 | 1063.16 | 1058.84 | 204 | 1298.70 | 1294.39 |
| | 14.036 | 13.856 | | 23.309 | 23.139 | | 32.583 | 32.413 | | 41.856 | 41.686 | | 51.130 | 50.960 |
| 57 | 362.87 | 358.56 | 94 | 598.42 | 594.10 | 131 | 833.97 | 829.65 | 168 | 1069.52 | 1065.20 | 205 | 1305.07 | 1300.75 |
| | 14.286 | 14.116 | | 23.560 | 23.390 | | 32.834 | 32.664 | | 42.107 | 41.937 | | 51.381 | 51.211 |
| 58 | 369.24 | 364.92 | 95 | 604.72 | 600.47 | 132 | 840.34 | 836.02 | 169 | 1075.89 | 1071.57 | 206 | 1311.44 | 1307.12 |
| | 14.537 | 14.367 | | 23.811 | 43.641 | | 33.084 | 32.914 | | 42.358 | 42.188 | | 51.631 | 51.461 |
| 59 | 375.61 | 371.29 | 96 | 611.15 | 606.84 | 133 | 846.70 | 842.39 | 170 | 1082.25 | 1077.94 | 207 | 1317.80 | 1313.48 |
| | 14.788 | 14.618 | | 24.061 | 23.891 | | 33.335 | 33.165 | | 42.608 | 42.438 | | 51.882 | 51.712 |
| 60 | 381.97 | 377.65 | 97 | 617.52 | 613.20 | 134 | 853.07 | 848.75 | 171 | 1088.62 | 1084.30 | 208 | 1324.17 | 1319.85 |
| | 15.038 | 14.868 | | 24.312 | 24.142 | | 33.585 | 33.415 | | 42.859 | 42.689 | | 52.133 | 51.963 |
| 61 | 388.34 | 384.02 | 98 | 623.89 | 619.57 | 135 | 859.44 | 855.12 | 172 | 1094.99 | 1090.67 | 209 | 1330.54 | 1326.22 |
| | 15.289 | 15.119 | | 24.562 | 24.392 | | 33.836 | 33.666 | | 43.110 | 42.940 | | 52.383 | 52.213 |
| 62 | 394.70 | 390.39 | 99 | 630.25 | 625.94 | 136 | 865.80 | 861.48 | 173 | 1101.35 | 1097.03 | 210 | 1336.90 | 1332.58 |
| | 15.540 | 15.370 | | 24.813 | 24.643 | | 34.087 | 33.917 | | 43.350 | 43.190 | | 52.634 | 52.464 |
| 63 | 401.07 | 396.75 | 100 | 636.62 | 632.30 | 137 | 872.17 | 867.85 | 174 | 1107.72 | 1103.40 | 211 | 1343.27 | 1338.95 |
| | 15.790 | 15.620 | | 25.064 | 24.894 | | 34.337 | 34.167 | | 43.611 | 43.441 | | 52.885 | 52.715 |
| 64 | 407.44 | 403.12 | 101 | 642.99 | 638.67 | 138 | 878.54 | 874.22 | 175 | 1114.08 | 1109.77 | 212 | 1349.63 | 1345.32 |
| | 16.041 | 15.871 | | 25.314 | 25.144 | | 34.588 | 34.418 | | 43.862 | 43.692 | | 53.135 | 52.965 |
| 65 | 413.80 | 409.48 | 102 | 649.35 | 645.03 | 139 | 884.90 | 880.58 | 176 | 1120.45 | 1116.13 | 213 | 1356.00 | 1351.68 |
| | 16.291 | 16.121 | | 25.565 | 25.395 | | 34.839 | 34.669 | | 44.112 | 43.942 | | 53.386 | 53.216 |
| 66 | 420.17 | 415.85 | 103 | 655.72 | 651.40 | 140 | 891.27 | 886.95 | 177 | 1126.82 | 1122.50 | 214 | 1362.37 | 1358.05 |
| | 16.542 | 16.372 | | 25.816 | 25.646 | | 35.089 | 34.919 | | 44.363 | 44.193 | | 53.635 | 53.465 |
| 67 | 426.54 | 422.22 | 104 | 662.08 | 657.77 | 141 | 897.63 | 893.32 | 178 | 1133.18 | 1128.87 | 215 | 1368.73 | 1364.41 |
| | 16.793 | 16.623 | | 26.066 | 25.896 | | 35.340 | 35.170 | | 44.614 | 44.444 | | 53.887 | 53.717 |
| 68 | 432.90 | 428.58 | 105 | 668.45 | 664.13 | 142 | 904.00 | 899.68 | 179 | 1139.55 | 1135.23 | 216 | 1375.10 | 1370.79 |
| | 17.043 | 16.873 | | 26.317 | 26.147 | | 35.591 | 35.421 | | 44.854 | 44.694 | | 54.136 | 53.958 |
| 69 | 439.27 | 434.95 | 106 | 674.82 | 670.50 | 143 | 910.37 | 906.05 | 180 | 1145.92 | 1141.60 | | | |
| | 17.299 | 17.124 | | 26.568 | 26.398 | | 35.841 | 35.671 | | 45.115 | 44.945 | | | |
| 70 | 445.63 | 441.32 | 107 | 681.18 | 676.87 | 144 | 916.73 | 912.41 | 181 | 1152.28 | 1147.96 | | | |
| | 17.545 | 17.375 | | 26.818 | 26.648 | | 36.092 | 35.922 | | 45.365 | 45.195 | | | |

PULLEYS

DRIVE ALIGNMENT

To assure proper drive alignment, you should refer to the information in this section for center distance alignment. The alternative is to change the idler position, so that the belt can be slipped onto the drive easily. When you install the belt, never force it over the flange. This may cause belt tensile damage.

Positive belts are most sensitive to misalignment, so never use this kind of drive in applications where misalignment is prevalent. Inconsistent belt wear and premature tensile failure may result.

The two most common types of misalignment can be seen in the drawings below. Parallel misalignment is caused when the driver and driven shafts are parallel, but the two sprockets lie in different planes. When the two shafts are not parallel, the drive is angularly misaligned.

A fleeting angle (shown here) shows where the belt enters and exits the sprocket, and equals the sum of the parallel and angular misalignments.

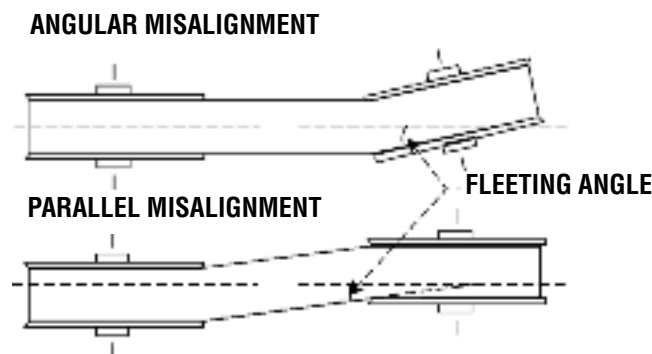
Any degree of sprocket misalignment will result in some belt life reduction. Misalignment of all positive belt drives should not exceed $\frac{1}{4}$ " or $\frac{1}{16}$ " per foot of center distance. Alignment should be checked with a good straight-edge tool applied to their machined side surfaces from driver to driven and from driven to driver shafts. This way the effect of parallel and angular misalignment can be observed.

Drive misalignment can also cause problems of belt tracking. Some tracking is normal and will not affect performance.

However, where center distance is greater than eight times the small sprocket diameter, tracking can be a problem. Special adjustment may be needed. You have to correct the parallel position of the two sprockets until one flange guides the belt in the system and the belt tracks fully on all sprockets. Regardless of the drive's center distance, the best operation will be with the belt contacting only one flange in the system.

You will find the real application problem when the belt contacts flanges on opposite sides of the sprockets. This traps the belt into undesirable parallel misalignment.

Improper bushing installation can result in the entire bushing/sprocket assembly to be "cocked" on the shaft. This leads to angular misalignment. Be sure to follow *Martin*'s bushing installation instructions.



INSTALLATION AND TENSIONING ALLOWANCES

We do not recommend fixed center drives. To avoid belt damage and excessive wear, refer to the Distance Allowance Charts (Page K-168). The standard installation allowance is the minimum decrease in the center distance required to install a belt when flanged sprockets are removed from their shafts for belt installation. The charts first column spells this out with more comprehensive information needed for the minimum increase in center distance required for a belt's tension during its normal life.

If a belt is to be installed over flanged sprockets without removing them, the additional installation center distance allowances shown in the second table must be added to the first table data.

Distance Allowance Chart

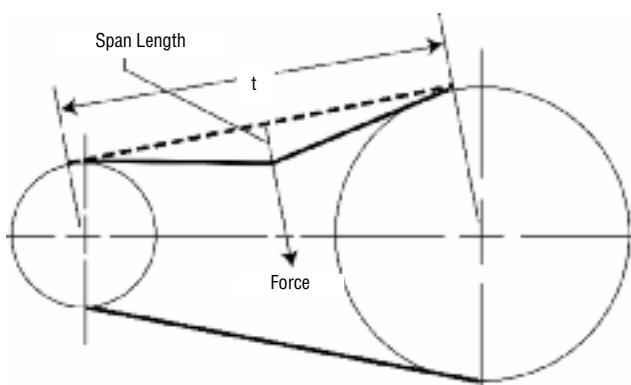
| Belt Length (in.) | *Standard Installation Allowance | Tensioning Allowance (Any Drive) |
|-------------------|----------------------------------|----------------------------------|
| 20 and under | 0.04" | 0.03" |
| Over 20 to 40 | 0.05" | 0.03" |
| Over 40 to 60 | 0.07" | 0.04" |
| Over 60 to 90 | 0.09" | 0.05" |
| Over 90 to 120 | 0.11" | 0.05" |
| Over 120 to 160 | 0.14" | 0.05" |
| Over 160 to 190 | 0.17" | 0.05" |
| Over 190 to 260 | 0.21" | 0.05" |

* Flanged Sprockets Removed for Installation.

HTS BELT TENSIONING AND DEFLECTION FORCE

Lay the belt on the sprockets, adjusting the takeup, so that the belt teeth mesh securely with sprocket grooves. Measure the belt span "t." Then tighten the belt, so that it deflects 1/64" for each inch of belt span when a force is applied. (See Table below.)

Example: A 14mm pitch belt, 85mm wide, with a span of 30" and a maximum force of 28 lbs. applied, should deflect 30/64 inch. Deflection 1/64 per inch of span. (Measure the span length "t" as shown in the sketch below).



$$t = \sqrt{C^2 - \left(\frac{D-d}{2}\right)^2}$$

These ranges of deflection forces are applicable for drive installation. Actual operation tension depends on the number of teeth mesh, system rigidity, peak loads, etc.

| Belt Pitch | Belt Width | Force* |
|------------|------------|-----------------|
| 5mm | 9mm | 9 to 18 oz. |
| | 15mm | 1 to 2 lbs. |
| | 25mm | 1-1/2 to 3 lbs. |
| 8mm | 20mm | 3 to 4 lbs. |
| | 30mm | 5 to 6-1/2 lbs. |
| | 50mm | 9 to 12 lbs. |
| | 85mm | 16 to 20 lbs. |
| 14mm | 40 mm | 10 to 13 lbs. |
| | 55mm | 15 to 18 lbs. |
| | 85 mm | 23 to 28 lbs. |
| | 115mm | 32 to 39 lbs. |
| 20mm | 170mm | 48 to 57 lbs. |
| | 115mm | 45 to 55 lbs. |
| | 170mm | 70 to 85 lbs. |
| | 230mm | 95 to 120 lbs. |
| | 290mm | 120 to 150 lbs. |
| | 340mm | 145 to 180 lbs. |

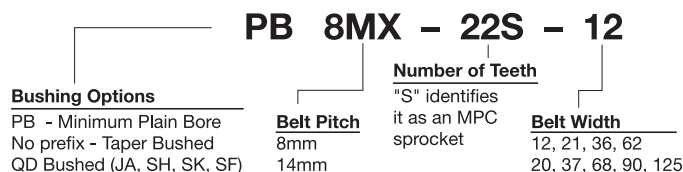
*Force applies to speeds exceeding 600 rpm.

NOTE: For belts wider than 2", you can avoid belt distortion by placing a 3/4" or 1" metal strip across the belt between belt and tension tester.

MPC™ and High HP HTS® Sprockets



MPC Synchronous Sprockets



MPC Synchronous Sprockets run with Poly Chain® GT®2 and Falcon Pd™ belts.

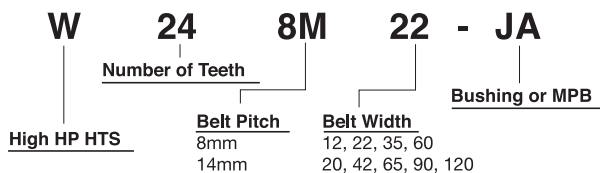
MPC Synchronous Sprockets - available in your desired configuration.

- Available in 8mm and 14mm pitches
 - Belt widths:
 - 12mm, 21mm, 36mm, 62mm (8mm pitch)
 - 20mm, 37mm, 68mm, 90mm, 125mm (14mm pitch)
- Available in QD, TB or other special adapters.
- Special diameters and widths, as well as special materials, are also available.

Introducing our newest synchronous sprocket.

Whether it's Poly Chain® GT®2 or Falcon Pd™ we will make the sprocket to complete your drives. The addition of our MPC sprocket line makes *Martin* your one stop shop for all your synchronous sprocket needs. Match your sprocket to your favorite belt.

High HP HTS Synchronous Sprockets



“W” High HP HTS Sprockets (RPP® Tooth Profile) – Run with Hawk Pd™, Panther®, QT Power Chain™ belts.

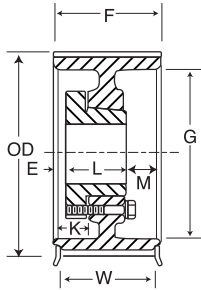
“W” High HP HTS Sprockets are designed to run with latest design, higher horsepower belts.

Martin's High HP HTS Sprockets are designed to run with today's highest horsepower RPP® profile belts.

High HP HTS Synchronous Sprockets allow you more flexibility in your selection criteria. The expanded line allows you to fit the application with the most cost effective sprockets.

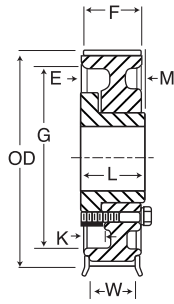
- Available in 8mm and 14mm pitches
- Belt widths: 12mm, 22mm, 35mm, 60mm (8mm pitch)
20mm, 42mm, 65mm, 90mm, 120mm (14mm pitch)
Available in QD, TB or MPB styles from stock.
- Typical Part Number: W248M22-JA

Type A



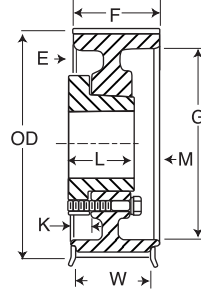
Type AF

Type C



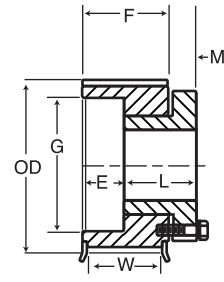
Type CF

Type D



Type DF

Type E•



Type EF•

8mm Pitch, 12 mm (.47 in.) Wide Belts (8M-12)

| No. of Teeth | Catalog Number | Bore | Pitch | Diameter (in.) | | Type + | Max. Bore | Dimensions (in.) | | | | | | | | Weight* Approx. (lbs) |
|--------------|----------------|------|--------|----------------|--------|--------|-----------|------------------|-------|-------|-------|-------|-------|--------|-------|-----------------------|
| | | | | O.D. | Flange | | | E | L | M | K | H | F | G | W | |
| 22 | W228M12-MPB | MPB | 2.206 | 2.154 | 2.562 | MPB | 1.188 | 0.623 | 1.452 | ... | ... | 1.620 | 0.827 | ... | 0.577 | 1.0 |
| 24 | W248M12-JA | JA | 2.406 | 2.354 | 2.750 | E1F• | 1.250 | 0.265 | 1.063 | 0.500 | 0.000 | ... | 0.827 | 1.340 | 0.577 | 0.5 |
| 26 | W268M12-JA | JA | 2.607 | 2.554 | 2.937 | E1F• | 1.250 | 0.265 | 1.063 | 0.500 | 0.000 | ... | 0.827 | 1.340 | 0.577 | 0.6 |
| 28 | W288M12-H | H | 2.807 | 2.755 | 3.156 | E1F• | 1.500 | -0.048 | 1.250 | 0.375 | 0.000 | ... | 0.827 | 1.570 | 0.577 | 0.7 |
| 30 | W308M12-H | H | 3.008 | 2.955 | 3.344 | E1F• | 1.500 | -0.048 | 1.250 | 0.375 | 0.000 | ... | 0.827 | 1.570 | 0.577 | 0.9 |
| 32 | W328M12-H | H | 3.208 | 3.155 | 3.562 | E1F• | 1.500 | -0.048 | 1.250 | 0.375 | 0.000 | ... | 0.827 | 1.570 | 0.577 | 1.1 |
| 34 | W348M12-SH | SH | 3.409 | 3.355 | 3.750 | D1F | 1.688 | 0.500 | 1.313 | 0.014 | 0.000 | ... | 0.827 | 2.750 | 0.577 | 1.1 |
| 36 | W368M12-SH | SH | 3.609 | 3.556 | 3.937 | D1F | 1.688 | 0.500 | 1.313 | 0.014 | 0.000 | ... | 0.827 | 2.820 | 0.577 | 1.3 |
| 38 | W388M12-SH | SH | 3.810 | 3.756 | 4.156 | D1F | 1.688 | 0.500 | 1.313 | 0.014 | 0.000 | ... | 0.827 | 3.000 | 0.577 | 1.6 |
| 40 | W408M12-SH | SH | 4.010 | 3.956 | 4.344 | D1F | 1.688 | 0.500 | 1.313 | 0.014 | 0.000 | ... | 0.827 | 3.000 | 0.577 | 1.9 |
| 44 | W448M12-SDS | SDS | 4.411 | 4.357 | 4.750 | C1F | 2.000 | 0.548 | 1.375 | 0.000 | 0.077 | ... | 0.827 | 3.500 | 0.577 | 2.1 |
| 48 | W488M12-SDS | SDS | 4.812 | 4.757 | 5.157 | C1F | 2.000 | 0.548 | 1.375 | 0.000 | 0.077 | ... | 0.827 | 3.800 | 0.577 | 2.7 |
| 56 | W568M12-SDS | SDS | 5.614 | 5.558 | 5.937 | C1F | 2.000 | 0.548 | 1.375 | 0.000 | 0.077 | ... | 0.827 | 4.600 | 0.577 | 4.0 |
| 64 | W648M12-SDS | SDS | 6.416 | 6.359 | 6.750 | C1F | 2.000 | 0.548 | 1.375 | 0.000 | 0.077 | ... | 0.827 | 5.400 | 0.577 | 5.5 |
| 72 | W728M12-SDS | SDS | 7.218 | 7.160 | 7.562 | C1F | 2.000 | 0.548 | 1.375 | 0.000 | 0.077 | ... | 0.827 | 6.200 | 0.577 | 7.3 |
| 80 | W808M12-SDS | SDS | 8.020 | 7.961 | 8.375 | C2F | 2.000 | 0.548 | 1.375 | 0.000 | 0.077 | ... | 0.827 | 6.900 | 0.577 | 9.2 |
| 90 | W908M12-SDS | SDS | 9.023 | 8.963 | ... | C2 | 2.000 | 0.548 | 1.375 | 0.000 | 0.077 | ... | 0.827 | 7.625 | ... | 9.5 |
| 112 | W1128M12-SK | SK | 11.229 | 11.166 | ... | C3 | 2.625 | 0.688 | 1.938 | 0.423 | 0.000 | ... | 0.827 | 9.875 | ... | 13.3 |
| 144 | W1448M12-SK | SK | 14.447 | 14.370 | ... | C3 | 2.625 | 0.688 | 1.938 | 0.423 | 0.000 | ... | 0.827 | 12.875 | ... | 19.1 |
| 192 | W1928M12-SF | SF | 19.249 | 19.176 | ... | C3 | 2.938 | 0.813 | 2.063 | 0.423 | 0.000 | ... | 0.827 | 17.625 | ... | 23.0 |

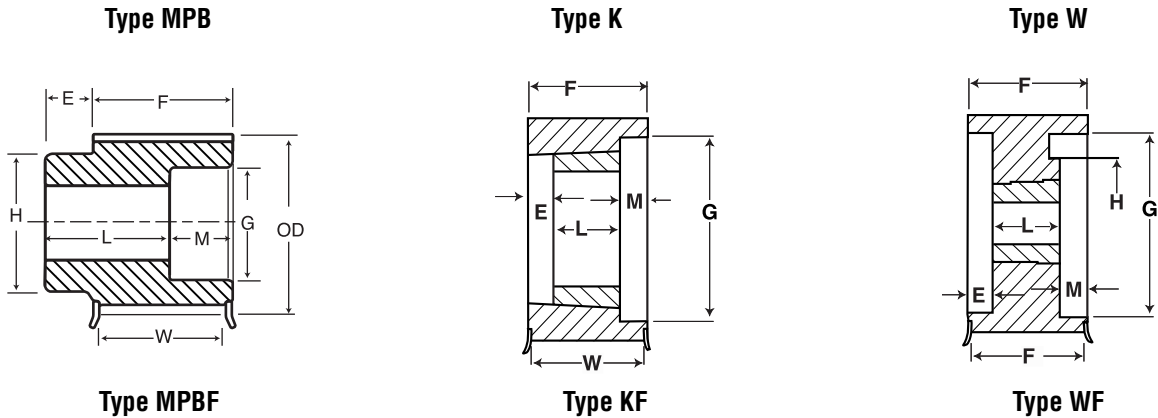
8mm Pitch, 22 mm (.86 in.) Wide Belts (8M-22)

| | | | | | | | | | | | | | | | | |
|-----|-------------|-----|--------|--------|-------|-------|-------|-------|-------|--------|--------|-------|------|-------|------|------|
| 22 | W228M22-MPB | MPB | 2.206 | 2.154 | 2.562 | MPB1F | 1.188 | 0.619 | 1.840 | 0.000 | ... | 1.625 | 1.22 | ... | 0.97 | 1.3 |
| 24 | W248M22-JA | JA | 2.406 | 2.354 | 2.750 | E1F• | 1.250 | 0.658 | 1.063 | 0.500 | 0.000 | ... | 1.22 | 1.34 | 0.97 | 0.7 |
| 26 | W268M22-JA | JA | 2.607 | 2.554 | 2.937 | E1F• | 1.250 | 0.658 | 1.063 | 0.500 | 0.000 | ... | 1.22 | 1.34 | 0.97 | 1.0 |
| 28 | W288M22-H | H | 2.807 | 2.755 | 3.156 | E1F• | 1.500 | 0.345 | 1.250 | 0.375 | 0.000 | ... | 1.22 | 1.57 | 0.97 | 1.1 |
| 30 | W308M22-H | H | 3.008 | 2.955 | 3.344 | E1F• | 1.500 | 0.345 | 1.250 | 0.375 | 0.000 | ... | 1.22 | 1.57 | 0.97 | 1.3 |
| 32 | W328M22-H | H | 3.208 | 3.155 | 3.562 | C1F• | 1.500 | 0.030 | 1.250 | 0.000 | 0.345 | ... | 1.22 | 1.57 | 0.97 | 1.7 |
| 34 | W348M22-SH | SH | 3.409 | 3.355 | 3.750 | D1F | 1.688 | 0.092 | 1.313 | 0.000 | 0.408 | ... | 1.22 | 2.75 | 0.97 | 1.3 |
| 36 | W368M22-SH | SH | 3.609 | 3.556 | 3.937 | D1F | 1.688 | 0.092 | 1.313 | 0.000 | 0.408 | ... | 1.22 | 2.82 | 0.97 | 1.6 |
| 38 | W388M22-SH | SH | 3.810 | 3.756 | 4.156 | D1F | 1.688 | 0.092 | 1.313 | 0.000 | 0.408 | ... | 1.22 | 3.00 | 0.97 | 1.9 |
| 40 | W408M22-SH | SH | 4.010 | 3.956 | 4.344 | D1F | 1.688 | 0.092 | 1.313 | 0.000 | 0.408 | ... | 1.22 | 3.00 | 0.97 | 2.3 |
| 44 | W448M22-SDS | SDS | 4.411 | 4.357 | 4.750 | D1F | 2.000 | 0.155 | 1.375 | 0.000 | 0.470 | ... | 1.22 | 3.50 | 0.97 | 2.5 |
| 48 | W488M22-SDS | SDS | 4.812 | 4.757 | 5.157 | D1F | 2.000 | 0.155 | 1.375 | 0.000 | 0.470 | ... | 1.22 | 3.80 | 0.97 | 3.2 |
| 56 | W568M22-SDS | SDS | 5.614 | 5.558 | 5.937 | D1F | 2.000 | 0.155 | 1.375 | 0.000 | 0.470 | ... | 1.22 | 4.60 | 0.97 | 4.6 |
| 64 | W648M22-SK | SK | 6.416 | 6.359 | 6.750 | D1F | 2.625 | 0.438 | 1.938 | -0.280 | 0.250 | ... | 1.22 | 5.40 | 0.97 | 7.7 |
| 72 | W728M22-SK | SK | 7.218 | 7.160 | 7.562 | D1F | 2.625 | 0.438 | 1.938 | -0.280 | 0.250 | ... | 1.22 | 6.20 | 0.97 | 9.1 |
| 80 | W808M22-SK | SK | 8.020 | 7.961 | 8.375 | D2F | 2.625 | 0.438 | 1.938 | -0.280 | 0.250 | ... | 1.22 | 6.90 | 0.97 | 9.1 |
| 90 | W908M22-SK | SK | 9.023 | 8.963 | ... | D2 | 2.625 | 0.438 | 1.938 | -0.280 | 0.250 | ... | 1.22 | 7.63 | ... | 12.0 |
| 112 | W1128M22-SK | SK | 11.229 | 11.166 | ... | D3 | 2.625 | 0.438 | 1.938 | -0.280 | 0.250 | ... | 1.22 | 9.88 | ... | 15.3 |
| 144 | W1448M22-SF | SF | 14.447 | 14.370 | ... | D3 | 2.938 | 0.563 | 2.063 | -0.280 | 0.250 | ... | 1.22 | 12.88 | ... | 19.1 |
| 192 | W1928M22-E | E | 19.249 | 19.176 | ... | C3 | 3.500 | 1.202 | 2.625 | 0.202 | -0.202 | ... | 1.22 | 17.63 | ... | 38.4 |

* Weight Shown is for Sprocket Less Bushing.
● Reverse Mount Only

+ The numbers (1=Solid, 2=Web, 3=Arms) within the "Type" indicates construction, and the letter F indicates the sprocket has flanges.

High HP HTS® Sprockets 8mm

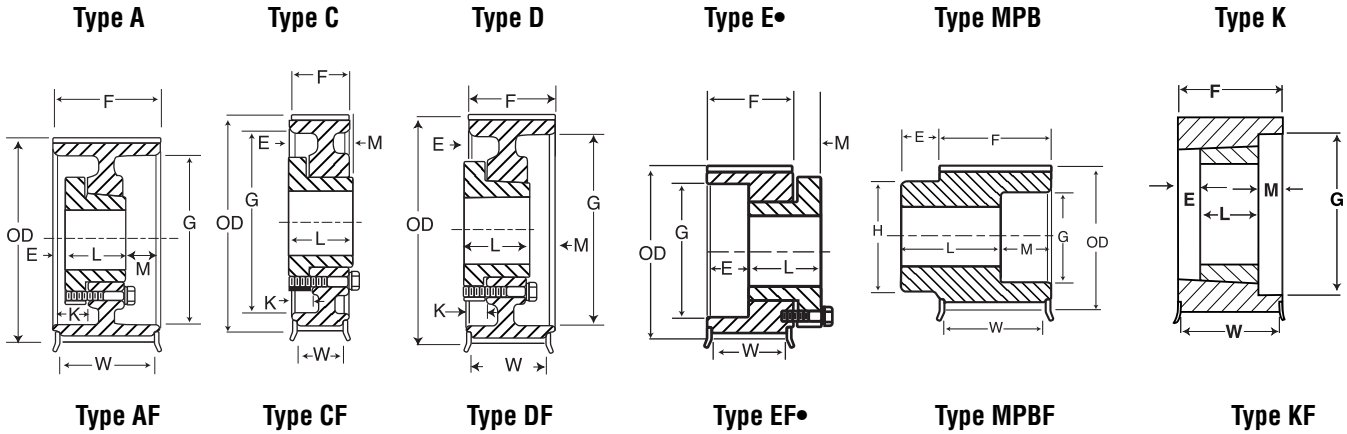


| 8mm Pitch, 35 mm (1.38in.) Wide Belts (8M - 35) | | | | | | | | | | | | | | | | |
|---|----------------|-------|--------|----------------|--------|--------|-----------|------------------|--------|-------|-------|--------|-------|--------|-----------------------|------|
| No. of Teeth | Catalog Number | Bore | Pitch | Diameter (in.) | | Type + | Max. Bore | Dimensions (in.) | | | | | | | Weight* Approx. (lbs) | |
| | | | | O.D. | Flange | | | E | L | M | K | H | F | G | | W |
| 22 | W228M35-MPB | MPB | 2.206 | 2.154 | 2.56 | MBP1F | 1.188 | 0.618 | 2.3500 | ... | ... | 1.6250 | 1.73 | ... | 1.428 | 1.6 |
| 24 | W248M35-MPB | MPB | 2.406 | 2.354 | 2.75 | MBP1F | 1.250 | 0.618 | 2.3500 | ... | ... | 1.8125 | 1.73 | ... | 1.428 | 2 |
| 26 | W268M35-MPB | MPB | 2.607 | 2.554 | 2.94 | MBP1F | 1.375 | 0.618 | 2.3500 | ... | ... | 2.0000 | 1.73 | ... | 1.428 | 2.4 |
| 28 | W288M35-H | H | 2.807 | 2.755 | 3.16 | E1F ● | 1.500 | 0.855 | 1.2500 | 0.375 | 0.000 | ... | 1.73 | 1.570 | 1.428 | 1.5 |
| 30 | W308M35-H | H | 3.008 | 2.955 | 3.34 | E1F ● | 1.500 | 0.855 | 1.2500 | 0.375 | 0.000 | ... | 1.73 | 1.570 | 1.428 | 1.9 |
| 32 | W328M35-H | H | 3.208 | 3.155 | 3.56 | A1F ● | 1.500 | 0.245 | 1.2500 | 0.235 | 0.620 | ... | 1.73 | 1.570 | 1.428 | 2.4 |
| 34 | W348M35-SH | SH | 3.409 | 3.355 | 3.75 | A1F | 1.688 | 0.120 | 1.3125 | 0.298 | 0.620 | ... | 1.73 | 2.750 | 1.428 | 2.4 |
| 36 | W368M35-SH | SH | 3.609 | 3.556 | 3.94 | A1F | 1.688 | 0.120 | 1.3125 | 0.298 | 0.620 | ... | 1.73 | 2.820 | 1.428 | 2.8 |
| 38 | W388M35-SH | SH | 3.810 | 3.756 | 4.16 | A1F | 1.688 | 0.120 | 1.3125 | 0.298 | 0.620 | ... | 1.73 | 3.000 | 1.428 | 3.0 |
| 40 | W408M35-SH | SH | 4.010 | 3.956 | 4.34 | A1F | 1.688 | 0.120 | 1.3125 | 0.298 | 0.620 | ... | 1.73 | 3.000 | 1.428 | 2.8 |
| 44 | W448M35-SD | SD | 4.411 | 4.357 | 4.75 | D1F | 2.000 | 0.313 | 1.8125 | 0.232 | 0.250 | ... | 1.73 | 3.500 | 1.428 | 3.1 |
| 48 | W488M35-SD | SD | 4.812 | 4.757 | 5.16 | D1F | 2.000 | 0.313 | 1.8125 | 0.232 | 0.250 | ... | 1.73 | 3.800 | 1.428 | 3.5 |
| 56 | W568M35-SK | SK | 5.614 | 5.558 | 5.94 | D1F | 2.625 | 0.438 | 1.9375 | 0.230 | 0.250 | ... | 1.73 | 4.600 | 1.428 | 5.3 |
| 64 | W648M35-SK | SK | 6.416 | 6.359 | 6.75 | D1F | 2.625 | 0.438 | 1.9375 | 0.230 | 0.250 | ... | 1.73 | 5.400 | 1.428 | 8.4 |
| 72 | W728M35-SK | SK | 7.218 | 7.160 | 7.56 | D1F | 2.625 | 0.438 | 1.9375 | 0.230 | 0.250 | ... | 1.73 | 6.200 | 1.428 | 9.1 |
| 80 | W808M35-SF | SF | 8.020 | 7.961 | 8.38 | D1F | 2.938 | 0.563 | 2.0625 | 0.230 | 0.250 | ... | 1.73 | 6.900 | 1.428 | 15.1 |
| 90 | W908M35-SF | SF | 9.023 | 8.963 | ... | D2 | 2.938 | 0.563 | 2.0625 | 0.230 | 0.250 | ... | 1.73 | 7.625 | ... | 20.7 |
| 112 | W1128M35-SF | SF | 11.229 | 11.166 | ... | A3 | 2.938 | 0.563 | 2.0625 | 0.230 | 0.250 | ... | 1.73 | 9.875 | ... | 18.0 |
| 144 | W1448M35-E | E | 14.447 | 14.370 | ... | C3 | 3.500 | 0.893 | 2.6250 | 0.000 | 0.107 | ... | 1.73 | 12.875 | ... | 38.0 |
| 192 | W1928M35-E | E | 19.249 | 19.176 | ... | C3 | 3.500 | 0.893 | 2.6250 | 0.000 | 0.107 | ... | 1.73 | 17.625 | ... | 53.0 |
| 8mm Pitch, 60 mm (2.36 in.) Wide Belts (8M-60) | | | | | | | | | | | | | | | | |
| 22 | W228M60-MPB | MPB | 2.206 | 2.154 | 2.562 | MPB1F | 1.188 | 0.619 | 3.375 | ... | ... | 1.625 | 2.756 | ... | 2.506 | 2.2 |
| 24 | W248M60-MPB | MPB | 2.406 | 2.354 | 2.750 | MPB1F | 1.250 | 0.619 | 3.375 | ... | ... | 1.813 | 2.756 | ... | 2.506 | 2.7 |
| 26 | W268M60-MPB | MPB | 2.607 | 2.554 | 2.937 | MPB1F | 1.375 | 0.619 | 3.375 | ... | ... | 2.000 | 2.756 | ... | 2.506 | 3.3 |
| 28 | W288M60-MPB | MPB | 2.807 | 2.755 | 3.156 | MPB1F | 1.500 | 0.619 | 3.375 | ... | ... | 2.281 | 2.756 | ... | 2.506 | 4.4 |
| 30 | W308M60-MPB | MPB | 3.008 | 2.955 | 3.344 | MPB1F | 1.563 | 0.619 | 3.375 | ... | ... | 2.468 | 2.756 | ... | 2.506 | 5.1 |
| 32 | W328M60-MPB | MPB | 3.208 | 3.155 | 3.562 | MPB1F | 1.625 | 0.619 | 3.375 | ... | ... | 2.593 | 2.756 | ... | 2.506 | 5.9 |
| 34 | W348M60-MPB | MPB | 3.409 | 3.355 | 3.750 | MPB1F | 1.688 | 0.619 | 3.375 | ... | ... | 2.796 | 2.756 | ... | 2.506 | 6.6 |
| 36 | W368M60-MPB | MPB | 3.609 | 3.556 | 3.937 | MPB1F | 1.750 | 0.619 | 3.375 | ... | ... | 3.000 | 2.756 | ... | 2.506 | 7.8 |
| 36 | W368M60-2012 | 2012* | 3.609 | 3.556 | 3.937 | K1F | 2.000 | 1.506 | 1.250 | 0.000 | ... | ... | 2.756 | 2.820 | 2.506 | 2.3 |
| 38 | W388M60-MPB | MPB | 3.810 | 3.756 | 4.156 | MPB1F | 1.938 | 0.619 | 3.375 | ... | ... | 3.188 | 2.756 | ... | 2.506 | 8.8 |
| 38 | W388M60-2012 | 2012* | 3.810 | 3.756 | 4.156 | K1F | 2.000 | 1.506 | 1.250 | 0.000 | ... | ... | 2.756 | 3.000 | 2.506 | 2.8 |
| 40 | W408M60-MPB | MPB | 4.010 | 3.956 | 4.344 | MPB1F | 2.125 | 0.619 | 3.375 | ... | ... | 3.813 | 2.756 | ... | 2.506 | 9.8 |
| 40 | W408M60-2012 | 2012* | 4.010 | 3.956 | 4.344 | W1F | 2.000 | 1.506 | 1.250 | 0.000 | ... | ... | 2.756 | 3.000 | 2.506 | 2.3 |
| 44 | W448M60-2517 | 2517 | 4.411 | 4.357 | 4.750 | W1F | 2.500 | 0.503 | 1.750 | 0.503 | ... | ... | 2.756 | 3.500 | 2.506 | 5.4 |
| 48 | W488M60-2517 | 2517 | 4.812 | 4.757 | 5.157 | W1F | 2.500 | 0.503 | 1.750 | 0.503 | ... | ... | 2.756 | 3.800 | 2.506 | 3.2 |
| 56 | W568M60-3020 | 3020 | 5.614 | 5.558 | 5.937 | W1F | 3.000 | 0.378 | 2.000 | 0.378 | ... | ... | 2.756 | 4.600 | 2.506 | 6.3 |
| 64 | W648M60-SF | SF | 6.416 | 6.359 | 6.750 | A1F | 2.938 | -0.061 | 2.063 | 0.754 | 0.752 | ... | 2.756 | 5.400 | 2.506 | 9.8 |
| 72 | W728M60-E | E | 7.218 | 7.160 | 7.562 | A1F | 3.500 | 0.000 | 2.625 | 0.131 | 1.000 | ... | 2.756 | 6.200 | 2.506 | 12.8 |
| 80 | W808M60-E | E | 8.020 | 7.961 | 8.375 | A1F | 3.500 | 0.000 | 2.625 | 0.131 | 1.000 | ... | 2.756 | 6.900 | 2.506 | 19.3 |
| 90 | W908M60-E | E | 9.023 | 8.963 | ... | A1 | 3.500 | 0.000 | 2.625 | 0.131 | 1.000 | ... | 2.756 | 7.625 | ... | 20.7 |
| 112 | W1128M60-F | F | 11.229 | 11.166 | ... | C3 | 4.000 | 0.869 | 3.625 | 0.000 | 0.256 | ... | 2.756 | 9.875 | ... | 50.3 |
| 144 | W1448M60-F | F | 14.447 | 14.370 | ... | C3 | 4.000 | 0.869 | 3.625 | 0.000 | 0.256 | ... | 2.756 | 12.875 | ... | 73.2 |
| 192 | W1928M60-F | F | 19.249 | 19.176 | ... | C3 | 4.000 | 0.869 | 3.625 | 0.000 | 0.256 | ... | 2.756 | 17.625 | ... | 81.3 |

+ The numbers (1=Solid, 2=Web, 3=Arms) within the "Type" indicates construction, and the letter F indicates the sprocket has flanges.

* Weight Shown is for Sprocket Less Bushing.

● Reverse Mount Only



| 14mm Pitch, 20 mm (.79in.) Wide Belts (14M - 20) | | | | | | | | | | | | | | | | |
|--|----------------|------|--------|----------------|--------|--------|-----------|------------------|-------|--------|--------|--------|-------|--------|-------|-----------------------|
| No. of Teeth | Catalog Number | Bore | Pitch | Diameter (in.) | | Type + | Max. Bore | Dimensions (in.) | | | | | | | | Weight* Approx. (lbs) |
| | | | | O.D. | Flange | | | E | L | M | K | H | F | G | W | |
| 28 | W2814M20-SK | SK | 4.912 | 4.805 | 5.56 | D1F | 2.625 | 0.688 | 1.938 | -0.030 | 0.000 | .. | 1.220 | 2.740 | 0.908 | 3.6 |
| 29 | W2914M20-SK | SK | 5.088 | 4.981 | 5.56 | D1F | 2.625 | 0.688 | 1.938 | -0.030 | 0.000 | .. | 1.220 | 2.740 | 0.908 | 4.0 |
| 30 | W3014M20-SK | SK | 5.263 | 5.156 | 6.13 | D1F | 2.625 | 0.688 | 1.938 | -0.030 | 0.000 | .. | 1.220 | 2.740 | 0.908 | 4.4 |
| 32 | W3214M20-SK | SK | 5.614 | 5.507 | 6.13 | D1F | 2.625 | 0.688 | 1.938 | -0.030 | 0.000 | .. | 1.220 | 2.740 | 0.908 | 5.3 |
| 34 | W3414M20-SK | SK | 5.965 | 5.857 | 6.5 | D1F | 2.625 | 0.688 | 1.938 | -0.030 | 0.000 | .. | 1.220 | 2.740 | 0.908 | 6.2 |
| 36 | W3614M20-SF | SF | 6.316 | 6.208 | 6.81 | C1F | 2.938 | 0.813 | 2.063 | -0.030 | 0.000 | .. | 1.220 | 3.050 | 0.908 | 5.7 |
| 38 | W3814M20-SF | SF | 6.667 | 6.559 | 7.16 | C1F | 2.938 | 0.813 | 2.063 | -0.030 | 0.000 | .. | 1.220 | 3.050 | 0.908 | 6.5 |
| 40 | W4014M20-SF | SF | 7.018 | 6.910 | 7.5 | C1F | 2.938 | 0.813 | 2.063 | -0.030 | 0.000 | .. | 1.220 | 3.050 | 0.908 | 7.6 |
| 44 | W4414M20-E | E | 7.720 | 7.611 | 8.22 | C1F | 3.500 | 1.000 | 2.625 | 0.405 | 0.000 | .. | 1.220 | ... | 0.908 | 10.2 |
| 48 | W4814M20-E | E | 8.421 | 8.312 | 8.94 | C1F | 3.500 | 1.000 | 2.625 | 0.405 | 0.000 | .. | 1.220 | ... | 0.908 | 13.0 |
| 52 | W5214M20-E | E | 9.123 | 9.014 | 9.69 | C1F | 3.500 | 1.000 | 2.625 | 0.405 | 0.000 | .. | 1.220 | ... | 0.908 | 16.7 |
| 56 | W5614M20-E | E | 9.825 | 9.715 | 10.38 | C1F | 3.500 | 1.000 | 2.625 | 0.405 | 0.000 | .. | 1.220 | ... | 0.908 | 20.4 |
| 60 | W6014M20-E | E | 10.527 | 10.417 | 11.06 | C1F | 3.500 | 1.000 | 2.625 | 0.405 | 0.000 | .. | 1.220 | ... | 0.908 | 23.6 |
| 64 | W6414M20-E | E | 11.229 | 11.118 | 11.75 | C1F | 3.500 | 1.000 | 2.625 | 0.405 | 0.000 | .. | 1.220 | ... | 0.908 | 27.1 |
| 68 | W6814M20-E | E | 11.930 | 11.820 | 12.5 | C2F | 3.500 | 1.000 | 2.625 | 0.405 | 0.000 | .. | 1.220 | ... | 0.908 | 26.8 |
| 72 | W7214M20-E | E | 12.632 | 12.521 | 13.19 | C2F | 3.500 | 1.000 | 2.625 | 0.405 | 0.000 | .. | 1.220 | ... | 0.908 | 29.6 |
| 80 | W8014M20-E | E | 14.036 | 13.924 | 14.63 | C2F | 3.500 | 1.000 | 2.625 | 0.405 | 0.000 | .. | 1.220 | ... | 0.908 | 35.3 |
| 90 | W9014M20-E | E | 15.790 | 15.677 | ... | C3 | 3.500 | 1.188 | 2.625 | 0.218 | -0.188 | .. | 1.220 | 13.563 | ... | 36.6 |
| 112 | W11214M20-E | E | 19.650 | 19.535 | ... | C3 | 3.500 | 1.188 | 2.625 | 0.218 | -0.188 | .. | 1.220 | 17.375 | ... | 48.0 |
| 144 | W14414M20-E | E | 25.264 | 25.147 | ... | C3 | 3.500 | 1.188 | 2.625 | 0.218 | -0.188 | .. | 1.220 | 23.000 | ... | 59.4 |
| 168 | W16814M20-F | F | 29.475 | 29.355 | ... | C3 | 4.000 | 1.563 | 3.625 | 0.842 | -0.438 | .. | 1.220 | 27.250 | ... | 98.4 |
| 192 | W19214M20-J | J | 33.686 | 33.564 | ... | C3 | 4.500 | 1.938 | 4.500 | 1.342 | -0.626 | .. | 1.220 | 31.375 | ... | 147.4 |
| 216 | W21614M20-J | J | 37.896 | 37.772 | ... | C3 | 4.500 | 1.938 | 4.500 | 1.342 | -0.626 | .. | 1.220 | 35.625 | ... | 155.6 |
| 14mm Pitch, 42 mm (1.65 in.) Wide Belts (14M-42) | | | | | | | | | | | | | | | | |
| 28 | W2814M42-SK | SK | 4.912 | 4.805 | 5.56 | E1F• | 2.625 | 0.837 | 1.938 | 0.688 | ... | .. | 2.087 | 2.740 | 1.774 | 5.5 |
| 29 | W2914M42-SK | SK | 5.088 | 4.981 | 5.56 | E1F• | 2.625 | 0.837 | 1.938 | 0.688 | ... | .. | 2.087 | 2.740 | 1.774 | 6.2 |
| 30 | W3014M42-SK | SK | 5.263 | 5.156 | 6.13 | D1F | 2.625 | 0.267 | 1.938 | 0.416 | 0.421 | .. | 2.087 | 3.920 | 1.774 | 5.9 |
| 32 | W3214M42-SK | SK | 5.614 | 5.507 | 6.13 | D1F | 2.625 | 0.267 | 1.938 | 0.416 | 0.42 | .. | 2.087 | 3.920 | 1.774 | 7.4 |
| 34 | W3414M42-SF | SF | 5.965 | 5.857 | 6.50 | D1F | 2.938 | 0.391 | 2.063 | 0.415 | 0.421 | .. | 2.087 | 3.920 | 1.774 | 8.8 |
| 36 | W3614M42-SF | SF | 6.316 | 6.208 | 6.81 | D1F | 2.938 | 0.391 | 2.063 | 0.415 | 0.421 | .. | 2.087 | 4.688 | 1.774 | 7.8 |
| 38 | W3814M42-SF | SF | 6.667 | 6.559 | 7.16 | D1F | 2.938 | 0.391 | 2.063 | 0.415 | 0.421 | .. | 2.087 | 4.938 | 1.774 | 9.2 |
| 40 | W4014M42-SF | SF | 7.018 | 6.910 | 7.50 | D1F | 2.938 | 0.391 | 2.063 | 0.415 | 0.421 | .. | 2.087 | 5.063 | 1.774 | 10.8 |
| 44 | W4414M42-E | E | 7.720 | 7.611 | 8.22 | D1F | 3.500 | 0.772 | 2.625 | 0.234 | 0.228 | .. | 2.087 | 6.125 | 1.774 | 13.1 |
| 48 | W4814M42-E | E | 8.421 | 8.312 | 8.94 | D1F | 3.500 | 0.772 | 2.625 | 0.234 | 0.228 | .. | 2.087 | 6.500 | 1.774 | 17.2 |
| 52 | W5214M42-E | E | 9.123 | 9.014 | 9.69 | D1F | 3.500 | 0.772 | 2.625 | 0.234 | 0.228 | .. | 2.087 | 7.188 | 1.774 | 21.2 |
| 56 | W5614M42-E | E | 9.825 | 9.715 | 10.38 | D1F | 3.500 | 0.772 | 2.625 | 0.234 | 0.228 | .. | 2.087 | 7.875 | 1.774 | 25.6 |
| 60 | W6014M42-E | E | 10.527 | 10.417 | 11.06 | D1F | 3.500 | 0.772 | 2.625 | 0.234 | 0.228 | .. | 2.087 | 8.500 | 1.774 | 30.3 |
| 64 | W6414M42-E | E | 11.229 | 11.118 | 11.75 | D1F | 3.500 | 0.772 | 2.625 | 0.234 | 0.228 | .. | 2.087 | 9.250 | 1.774 | 35.1 |
| 68 | W6814M42-E | E | 11.930 | 11.820 | 12.50 | D2F | 3.500 | 0.772 | 2.625 | 0.234 | 0.228 | .. | 2.087 | 10.000 | 1.774 | 33.7 |
| 72 | W7214M42-E | E | 12.632 | 12.521 | 13.19 | D2F | 3.500 | 0.772 | 2.625 | 0.234 | 0.228 | .. | 2.087 | 10.688 | 1.774 | 37.3 |
| 80 | W8014M42-E | E | 14.036 | 13.924 | 14.63 | D2F | 3.500 | 0.772 | 2.625 | 0.234 | 0.228 | .. | 2.087 | 12.125 | 1.774 | 44.5 |
| 90 | W9014M42-F | F | 15.790 | 15.677 | ... | C3 | 4.000 | 1.125 | 3.625 | 0.413 | ... | .. | 2.087 | 13.563 | ... | 50.8 |
| 112 | W11214M42-F | F | 19.650 | 19.535 | ... | C3 | 4.000 | 1.125 | 3.625 | 0.413 | ... | .. | 2.087 | 17.375 | ... | 77.3 |
| 144 | W14414M42-F | F | 25.264 | 25.147 | ... | C3 | 4.000 | 1.125 | 3.625 | 0.413 | ... | .. | 2.087 | 23.000 | ... | 97.4 |
| 168 | W16814M42-F | F | 29.475 | 29.355 | ... | C3 | 4.000 | 1.125 | 3.625 | 0.413 | ... | .. | 2.087 | 27.250 | ... | 119.3 |
| 192 | W19214M42-J | J | 33.686 | 33.564 | ... | C3 | 4.500 | 1.505 | 4.500 | 0.908 | ... | -0.192 | 2.087 | 31.375 | ... | 173.5 |
| 216 | W21614M42-J | J | 37.896 | 37.772 | ... | C3 | 4.500 | 1.505 | 4.500 | 0.908 | ... | -0.192 | 2.087 | 35.625 | ... | 206.0 |

* Weight Shown is for Sprocket Less Bushing.

• Reverse Mount Only

+ The numbers (1=Solid, 2=Web, 3=Arms) within the "Type" indicates construction, and the letter F indicates the sprocket has flanges.



High HP HTS® Sprockets 14mm

| 14mm Pitch, 65 mm (2.56in.) Wide Belts (14M - 65) | | | | | | | | | | | | | | | | |
|--|----------------|-------|--------|----------------|--------|--------|-----------|------------------|-------|-------|--------|--------|-------|--------|-------|-----------------------|
| No. of Teeth | Catalog Number | Bore | Pitch | Diameter (in.) | | Type + | Max. Bore | Dimensions (in.) | | | | | | | | Weight* Approx. (lbs) |
| | | | | O.D. | Flange | | | E | L | M | K | H | F | G | W | |
| 28 | W2814M65-MPB | MPB | 4.912 | 4.805 | 5.56 | MPB1F | 2.313 | 1.000 | 4.032 | 0.000 | - | 3.688 | 3.032 | 0.000 | 2.719 | 15 |
| 29 | W2914M65-MPB | MPB | 5.088 | 4.981 | 5.56 | MPB1F | 2.313 | 1.000 | 4.032 | 0.000 | - | 3.688 | 3.032 | 0.000 | 2.719 | 16 |
| 30 | W3014M65-MPB | MPB | 5.263 | 5.156 | 6.13 | MPB1F | 2.500 | 1.000 | 4.032 | 0.000 | - | 4.141 | 3.032 | 0.000 | 2.719 | 18 |
| 32 | W3214M65-MPB | MPB | 5.614 | 5.507 | 6.13 | MPB1F | 2.500 | 1.000 | 4.032 | 0.000 | - | 4.141 | 3.032 | 0.000 | 2.719 | 20.2 |
| 34 | W3414M65-MPB | MPB | 5.965 | 5.857 | 6.50 | MPB1F | 2.688 | 1.000 | 4.032 | 0.000 | - | 4.484 | 3.032 | 0.000 | 2.719 | 23.4 |
| 36 | W3614M65-MPB | MPB | 6.316 | 6.208 | 6.81 | MPB1F | 3.000 | 1.000 | 4.032 | 0.000 | - | 4.875 | 3.032 | 0.000 | 2.719 | 24.5 |
| 36 | W3614M65-3030 | 3030* | 6.316 | 6.208 | 6.81 | MPB1F | 3.000 | 0.032 | 3.000 | 0.000 | - | 0.000 | 3.032 | 0.000 | 2.719 | 10.8 |
| 38 | W3814M65-MPB | MPB | 6.667 | 6.559 | 7.16 | MPB1F | 3.250 | 1.000 | 4.032 | 0.000 | - | 5.172 | 3.032 | 0.000 | 2.719 | 27.6 |
| 38 | W3814M65-3030 | 3030* | 6.667 | 6.559 | 7.16 | MPB1F | 3.000 | 0.032 | 3.000 | 0.000 | - | 0.000 | 3.032 | 0.000 | 2.719 | 13.4 |
| 40 | W4014M65-MPB | MPB | 7.018 | 6.910 | 7.50 | MPB1F | 3.438 | 1.000 | 4.032 | 0.000 | - | 5.563 | 3.032 | 0.000 | 2.719 | 31.5 |
| 40 | W4014M65-3535 | 3535* | 7.018 | 6.910 | 7.50 | C1F | 3.500 | 0.468 | 3.500 | 0.000 | - | 6.125 | 3.032 | 3.875 | 2.719 | 13.2 |
| 44 | W4414M65-E | E | 7.720 | 7.611 | 8.22 | D1F | 3.500 | 0.125 | 2.625 | 0.532 | 0.875 | ... | 3.032 | 6.125 | 2.719 | 16.2 |
| 48 | W4814M65-E | E | 8.421 | 8.312 | 8.94 | D1F | 3.500 | 0.125 | 2.625 | 0.532 | 0.875 | ... | 3.032 | 6.500 | 2.719 | 21.4 |
| 52 | W5214M65-E | E | 9.123 | 9.014 | 9.69 | D1F | 3.500 | 0.125 | 2.625 | 0.532 | 0.875 | ... | 3.032 | 7.188 | 2.719 | 25.9 |
| 56 | W5614M65-F | F | 9.825 | 9.715 | 10.38 | C1F | 4.000 | 0.594 | 3.625 | 0.000 | 0.531 | ... | 3.032 | 7.875 | 2.719 | 36.3 |
| 60 | W6014M65-F | F | 10.527 | 10.417 | 11.06 | C1F | 4.000 | 0.594 | 3.625 | 0.000 | 0.531 | ... | 3.032 | 8.500 | 2.719 | 43.5 |
| 64 | W6414M65-F | F | 11.229 | 11.118 | 11.75 | C1F | 4.000 | 0.594 | 3.625 | 0.000 | 0.531 | ... | 3.032 | 9.250 | 2.719 | 51.0 |
| 68 | W6814M65-F | F | 11.930 | 11.820 | 12.50 | C2F | 4.000 | 0.594 | 3.625 | 0.000 | 0.531 | 7.750 | 3.032 | 10.000 | 2.719 | 47.9 |
| 72 | W7214M65-F | F | 12.632 | 12.521 | 13.19 | C2F | 4.000 | 0.594 | 3.625 | 0.000 | 0.531 | 7.750 | 3.032 | 10.688 | 2.719 | 52.7 |
| 80 | W8014M65-F | F | 14.036 | 13.924 | 14.63 | C2F | 4.000 | 0.594 | 3.625 | 0.000 | 0.531 | 7.750 | 3.032 | 12.125 | 2.719 | 61.2 |
| 90 | W9014M65-F | F | 15.790 | 15.677 | ... | C3 | 4.000 | 0.594 | 3.625 | 0.000 | 0.531 | 7.750 | 3.032 | 13.563 | ... | 59.8 |
| 112 | W11214M65-J | J | 19.650 | 19.535 | ... | C3 | 4.500 | 1.250 | 4.500 | 0.219 | 0.063 | 9.000 | 3.032 | 17.375 | ... | 104.2 |
| 144 | W14414M65-M | M | 25.264 | 25.147 | ... | C3 | 5.500 | 2.063 | 6.750 | 1.657 | -0.500 | 11.375 | 3.032 | 23.000 | ... | 197.3 |
| 168 | W16814M65-M | M | 29.475 | 29.355 | ... | C3 | 5.500 | 2.063 | 6.750 | 1.657 | -0.500 | 11.375 | 3.032 | 27.250 | ... | 207.0 |
| 192 | W19214M65-M | M | 33.686 | 33.564 | ... | C3 | 5.500 | 2.063 | 6.750 | 1.657 | -0.500 | 11.375 | 3.032 | 31.375 | ... | 173.5 |
| 216 | W21614M65-M | M | 37.896 | 37.772 | ... | C3 | 5.500 | 2.063 | 6.750 | 1.657 | -0.500 | 11.375 | 3.032 | 35.625 | ... | 253.0 |
| 14mm Pitch, 90 mm (3.54 in.) Wide Belts (14M-90) | | | | | | | | | | | | | | | | |
| 28 | W2814M90-MPB | MPB | 4.912 | 4.805 | 5.56 | MPB1F | 2.313 | 1.000 | 5.055 | ... | ... | 3.688 | 4.055 | 0.000 | 3.743 | 18.9 |
| 29 | W2914M90-MPB | MPB | 5.088 | 4.981 | 5.56 | MPB1F | 2.313 | 1.000 | 5.055 | ... | ... | 3.688 | 4.055 | 0.000 | 3.743 | 20.2 |
| 30 | W3014M90-MPB | MPB | 5.263 | 5.156 | 6.13 | MPB1F | 2.500 | 1.000 | 5.055 | ... | ... | 4.141 | 4.055 | 0.000 | 3.743 | 10.9 |
| 32 | W3214M90-MPB | MPB | 5.614 | 5.507 | 6.13 | MPB1F | 2.500 | 1.000 | 5.055 | ... | ... | 4.141 | 4.055 | 0.000 | 3.743 | 13.9 |
| 34 | W3414M90-MPB | MPB | 5.965 | 5.857 | 6.50 | MPB1F | 2.688 | 1.000 | 5.055 | ... | ... | 4.484 | 4.055 | 0.000 | 3.743 | 16.7 |
| 36 | W3614M90-MPB | MPB | 6.316 | 6.208 | 6.81 | MPB1F | 3.000 | 1.000 | 5.055 | ... | ... | 4.875 | 4.055 | 0.000 | 3.743 | 31.4 |
| 38 | W3814M90-MPB | MPB | 6.667 | 6.559 | 7.16 | MPB1F | 3.250 | 1.000 | 5.055 | ... | ... | 5.172 | 4.055 | 4.938 | 3.743 | 35.5 |
| 40 | W4014M90-3535 | 3535 | 7.018 | 6.910 | 7.50 | K1F | 3.500 | 0.555 | 3.500 | 0.000 | ... | ... | 4.055 | ... | 3.743 | 17.1 |
| 44 | W4414M90-3535 | 3535 | 7.720 | 7.611 | 8.22 | K1F | 4.000 | 0.555 | 3.500 | 0.000 | ... | ... | 4.055 | ... | 3.743 | 24.8 |
| 48 | W4814M90-4040 | 4040 | 8.421 | 8.312 | 8.94 | K1F | 4.000 | 0.555 | 4.000 | 0.000 | ... | ... | 4.055 | ... | 3.743 | 27.0 |
| 52 | W5214M90-F | F | 9.123 | 9.014 | 9.69 | D1F | 4.000 | 0.347 | 3.625 | 0.778 | 0.778 | ... | 4.055 | 7.188 | 3.743 | 34.7 |
| 56 | W5614M90-F | F | 9.825 | 9.715 | 10.38 | D1F | 4.000 | 0.347 | 3.625 | 0.778 | 0.778 | ... | 4.055 | 7.875 | 3.743 | 36.3 |
| 60 | W6014M90-F | F | 10.527 | 10.417 | 11.06 | D1F | 4.000 | 0.347 | 3.625 | 0.778 | 0.778 | ... | 4.055 | 8.500 | 3.743 | 49.8 |
| 64 | W6414M90-F | F | 11.229 | 11.118 | 11.75 | D1F | 4.000 | 0.347 | 3.625 | 0.778 | 0.778 | ... | 4.055 | 9.250 | 3.743 | 57.6 |
| 68 | W6814M90-F | F | 11.930 | 11.820 | 12.50 | D2F | 4.000 | 0.347 | 3.625 | 0.778 | 0.778 | ... | 4.055 | 10.000 | 3.743 | 54.8 |
| 72 | W7214M90-F | F | 12.632 | 12.521 | 13.19 | D2F | 4.000 | 0.347 | 3.625 | 0.778 | 0.778 | ... | 4.055 | 10.688 | 3.743 | 60.0 |
| 80 | W8014M90-J | J | 14.036 | 13.924 | 14.63 | C2F | 4.500 | 0.375 | 4.500 | 0.070 | 0.938 | ... | 4.055 | 12.125 | 3.743 | 81.5 |
| 90 | W9014M90-J | J | 15.790 | 15.677 | ... | C3 | 4.500 | 0.375 | 4.500 | 0.070 | 0.938 | ... | 4.055 | 13.563 | ... | 77.4 |
| 112 | W11214M90-J | J | 19.650 | 19.535 | ... | C3 | 4.500 | 0.375 | 4.500 | 0.070 | 0.938 | ... | 4.055 | 17.375 | ... | 116.2 |
| 144 | W14414M90-M | M | 25.264 | 25.147 | ... | C3 | 5.500 | 1.563 | 6.750 | 1.132 | 0.000 | 11.375 | 4.055 | 23.000 | ... | 220.0 |
| 168 | W16814M90-M | M | 29.475 | 29.355 | ... | C3 | 5.500 | 1.563 | 6.750 | 1.132 | 0.000 | 11.375 | 4.055 | 27.250 | ... | 207.0 |
| 192 | W19214M90-M | M | 33.686 | 33.564 | ... | C3 | 5.500 | 1.563 | 6.750 | 1.132 | 0.000 | 11.375 | 4.055 | 31.375 | ... | 268.4 |
| 216 | W21614M90-M | M | 37.896 | 37.772 | ... | C3 | 5.500 | 1.563 | 6.750 | 1.132 | 0.000 | 11.375 | 4.055 | 35.625 | ... | 278.1 |
| 14mm Pitch, 120 mm (4.72 in.) Wide Belts (14M-120) | | | | | | | | | | | | | | | | |
| 28 | W2814M120-MPB | MPB | 4.912 | 4.805 | 5.56 | MPB1F | 2.313 | 1.000 | 4.986 | 1.250 | ... | 3.688 | 5.236 | 3.125 | 4.924 | 22.0 |
| 29 | W2914M120-MPB | MPB | 5.088 | 4.981 | 5.56 | MPB1F | 2.313 | 1.000 | 4.986 | 1.250 | ... | 3.688 | 5.236 | 3.125 | 4.924 | 23.8 |
| 30 | W3014M120-MPB | MPB | 5.263 | 5.156 | 6.13 | MPB1F | 2.500 | 1.000 | 4.986 | 1.250 | ... | 4.141 | 5.236 | 3.906 | 4.924 | 25.1 |
| 32 | W3214M120-MPB | MPB | 5.614 | 5.507 | 6.13 | MPB1F | 2.500 | 1.000 | 4.986 | 1.250 | ... | 4.141 | 5.236 | 3.906 | 4.924 | 29 |
| 34 | W3414M120-MPB | MPB | 5.965 | 5.857 | 6.50 | MPB1F | 2.688 | 1.000 | 4.986 | 1.250 | ... | 4.484 | 5.236 | 4.063 | 4.924 | 33.7 |
| 36 | W3614M120-MPB | MPB | 6.316 | 6.208 | 6.81 | MPB1F | 3.000 | 1.000 | 4.986 | 1.250 | ... | 4.875 | 5.236 | 4.688 | 4.924 | 34.0 |
| 38 | W3814M120-MPB | MPB | 6.667 | 6.559 | 7.16 | MPB1F | 3.250 | 1.000 | 4.986 | 1.250 | ... | 5.172 | 5.236 | 4.938 | 4.924 | 38.4 |
| 40 | W4014M120-MPB | MPB | 7.018 | 6.910 | 7.50 | MPB1F | 3.438 | 1.000 | 4.986 | 1.250 | ... | 5.563 | 5.236 | 5.063 | 4.924 | 43.4 |
| 44 | W4414M120-3535 | 3535 | 7.720 | 7.611 | 8.22 | K1F | 4.000 | 0.868 | 3.500 | 0.868 | ... | ... | 5.236 | 5.875 | 4.924 | 24.8 |
| 48 | W4814M120-4040 | 4040 | 8.421 | 8.312 | 8.94 | K1F | 4.000 | 0.618 | 4.000 | 0.618 | ... | ... | 5.236 | 6.625 | 4.924 | 31.8 |
| 52 | W5214M120-F | F | 9.123 | 9.014 | 9.69 | A1F | 4.000 | 1.125 | 3.625 | 1.361 | 1.375 | ... | 5.236 | 7.188 | 4.924 | 34.7 |
| 56 | W5614M120-F | F | 9.825 | 9.715 | 10.38 | A1F | 4.000 | 1.125 | 3.625 | 1.361 | 1.375 | ... | 5.236 | 7.875 | 4.924 | 48.4 |
| 60 | W6014M120-F | F | 10.527 | 10.417 | 11.06 | A1F | 4.000 | 1.125 | 3.625 | 1.361 | 1.375 | ... | 5.236 | 8.500 | 4.924 | 57.1 |
| 64 | W6414M120-J | J | 11.229 | 11.118 | 11.75 | D1F | 4.500 | 0.293 | 4.500 | 1.029 | 1.020 | ... | 5.236 | 9.250 | 4.924 | 69.7 |
| 68 | W6814M120-J | J | 11.930 | 11.820 | 12.50 | D1F | 4.500 | 0.293 | 4.500 | 1.029 | 1.020 | ... | 5.236 | 10.000 | 4.924 | 80.4 |
| 72 | W7214M120-J | J | 12.632 | 12.521 | 13.19 | D1F | 4.500 | 0.293 | 4.500 | 1.029 | 1.020 | ... | 5.236 | 10.688 | 4.924 | 92.2 |
| 80 | W8014M120-J | J | 14.036 | 13.924 | 14.63 | D2F | 4.500 | 0.293 | 4.500 | 1.029 | 1.020 | ... | 5.236 | 12.125 | 4.924 | 92.5 |
| 90 | W9014M120-M | M | 15.790 | 15.677 | ... | C2 | 5.500 | 1.514 | 6.750 | 0.000 | 0.049 | 10.000 | 5.236 | 13.563 | ... | 134.5 |
| 112 | W11214M120-M | M | 19.650 | 19.535 | ... | C3 | 5.500 | 1.514 | 6.750 | 0.000 | 0.049 | 11.375 | 5.236 | 17.375 | ... | 193.4 |
| 144 | W14414M120-M | M | 25.264 | 25.147 | ... | C3 | 5.500 | 1.514 | 6.750 | 0.000 | 0.049 | 11.375 | 5.236 | 23.000 | ... | 234.6 |
| 168 | W16814M120-M | M | 29.475 | 29.355 | ... | C3 | 5.500 | 1.514 | 6.750 | 0.000 | 0.049 | 11.375 | 5.236 | 27.250 | ... | 245.8 |
| 192 | W19214M120-N | N | 33.686 | 33.564 | ... | C3 | 6.000 | 1.875 | 8.125 | 1.014 | 0.000 | 12.000 | 5.236 | 31.375 | ... | 381.5 |

+ The numbers (1=Solid, 2=Web, 3=Arms) within the "Type" indicates construction, and the letter F indicates the sprocket has flanges.

* Weight Shown is for Sprocket Less Bushing.
● Reverse Mount Only

Martin

Notes

Notes

Martin

PULLEYS